

PART NO.	ENG. NO.	CKT SIZE	MATERIAL (SEE NOTE 1)
39-01-4030	5557-03R2	3	UL 94V-2
39-01-4031	5557-03R2-210	3	UL 94V-0
39-01-5039	5557-03R2-BL	3	UL 94V-2, BLACK
46999-0287	5557-03R2-400	3	UL 94V-0, BLACK

LEGEND

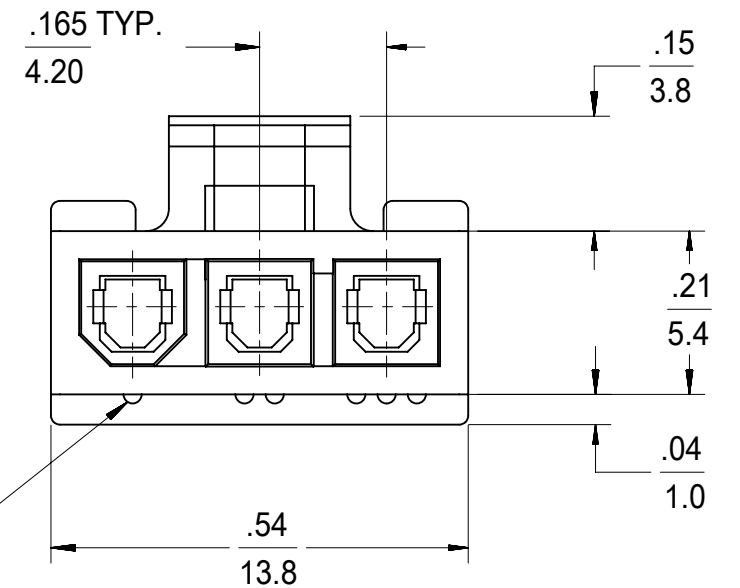
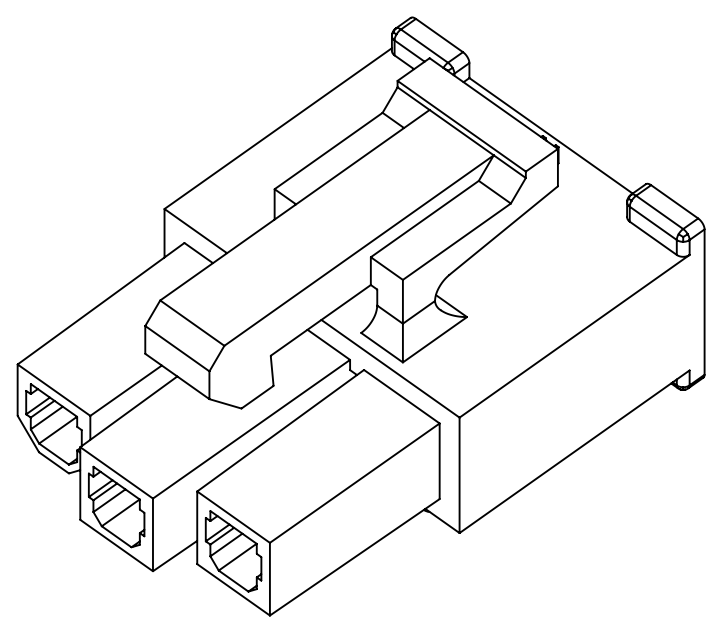
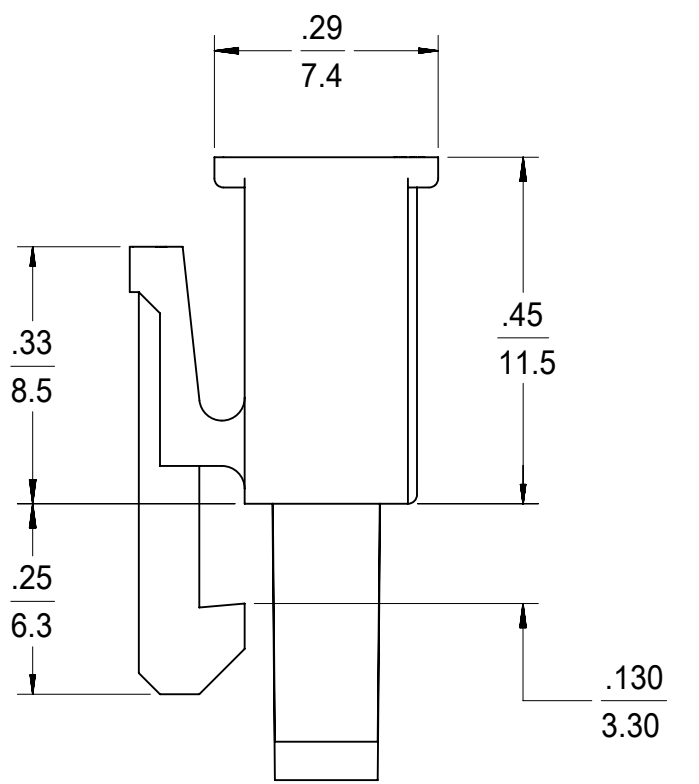
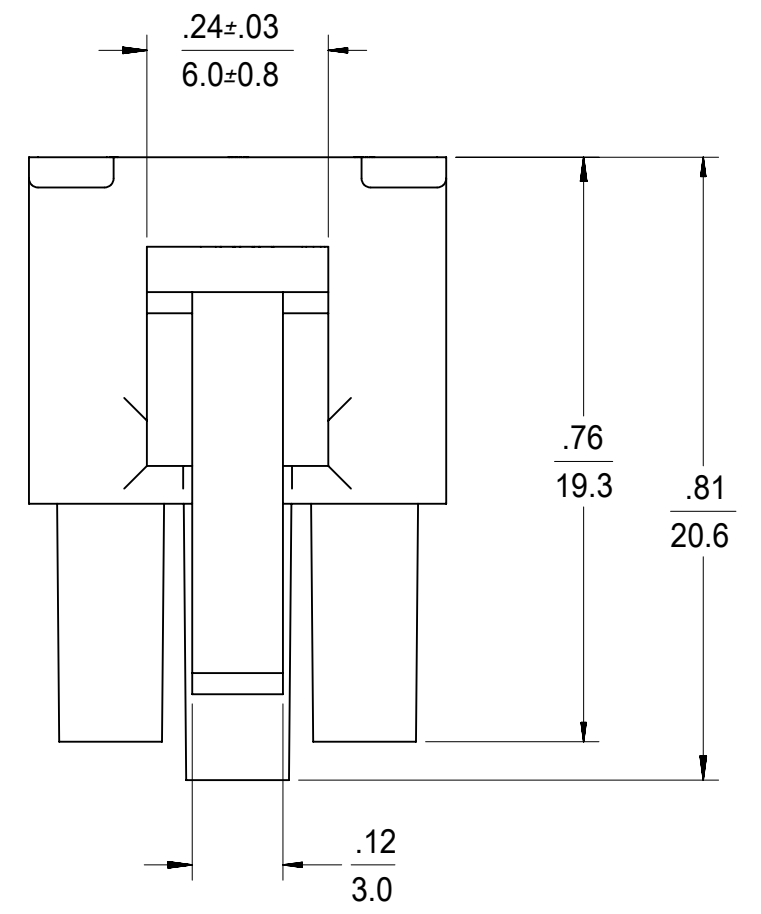
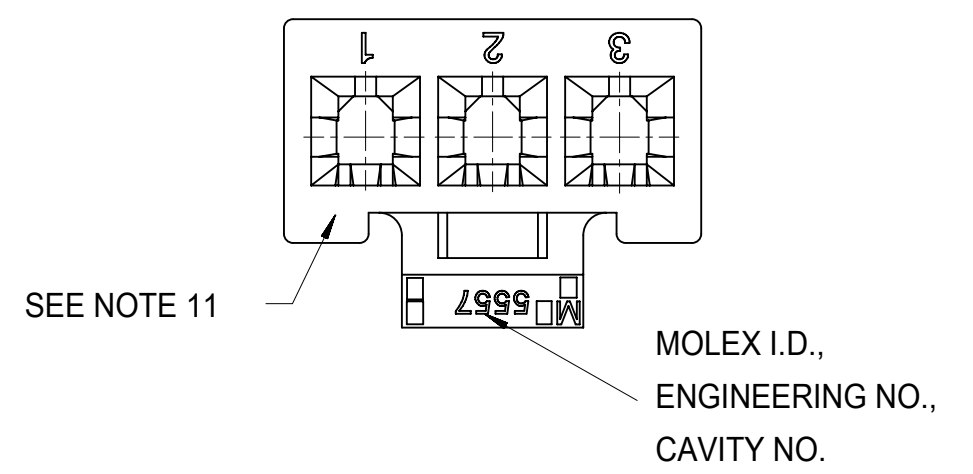
5557-03R2-\*\*\*

CKT SIZE

RECEPTACLE

MATERIAL OPTION:  
(SEE NOTE 1)

- NOTES:
- MATERIAL:  
"BLANK"=NYLON 6/6, UL94V-2, LOW HALOGEN, COLOR: NATURAL  
"210"=NYLON 6/6, UL94V-0, LOW HALOGEN, COLOR: NATURAL  
"BL"=NYLON 6/6, UL94V-2, LOW HALOGEN, COLOR: BLACK  
"400"=NYLON 6/6, UL94V-0, LOW HALOGEN, COLOR: BLACK
  - FINISH: NOT APPLICABLE
  - PRODUCT SPECIFICATION: PS-5556-001
  - PACKAGING: PK-5557-002
  - PART MATES WITH MOLEX RIGHT ANGLE HEADER #5569-03A\*, VERTICAL HEADER #5566-03A3\* AND PLUG #5559-03P\*.
  - PART TO BE USED WITH MOLEX FEMALE TERMINAL #5556.
  - WHEN MATING WITH ANOTHER CONNECTOR, THE CENTER CIRCUIT WILL "MAKE FIRST AND BREAK LAST".
  - PART IS NOT DESIGNED FOR CURRENT SHARING.
  - CONNECTOR ASSEMBLIES ARE NOT TO BE MATED OR UNMATED WHILE CIRCUITS ARE LIVE.
  - WIRES ARE TO BE DRESSED IN SUCH A MANNER TO ALLOW THE TERMINALS TO FLOAT FREELY IN THE POCKET.
  - "MX" TRADEMARK MAY BE LOCATED ON LATCH OR SURFACE INDICATED. CAVITY NO. MAY BE LOCATED ON EITHER SIDE OF ENGINEERING NO. ON LATCH.
  - PART CONFORMS TO CLASS "B" REQUIREMENTS OF COSMETIC SPECIFICATION PS-45499-002.



RIB INDICATES  
CIRCUIT #1

<b>SYMBOLS</b> DIMENSION UNITS SCALE CURRENT REV DESC: MIGRATE TO ECTR	THIS DRAWING CONTAINS INFORMATION THAT IS PROPRIETARY TO MOLEX ELECTRONIC TECHNOLOGIES, LLC AND SHOULD NOT BE USED WITHOUT WRITTEN PERMISSION				
	IN/MM 4:1				EC NO: 172489 DRWN: AZAHIROVIC 2018/01/24 CHK'D: JBELL 2018/02/20 APPR: FSMITH 2018/02/22
	GENERAL TOLERANCES (UNLESS SPECIFIED)		PRODUCT CUSTOMER DRAWING		
	4 PLACES ± 3 PLACES ± 0.01 2 PLACES ± 0.25 ± 0.015 1 PLACE ± 0.38 ± 0 PLACES ± ANGULAR TOL ± 0.5 ° DRAFT WHERE APPLICABLE MUST REMAIN WITHIN DIMENSIONS	INITIAL REVISION: DRWN: GEP 1990/10/02 APPR: RAS 1990/10/02	DOCUMENT NUMBER <b>55570302-SD</b>	DOC TYPE PSD	DOC PART 000

DOCUMENT STATUS	P1	RELEASE DATE	2018/02/22	21:31:12
-----------------	----	--------------	------------	----------

THIS DRAWING REPLACES DRAWING SD-5557-03R2\*

## X-ON Electronics

Largest Supplier of Electrical and Electronic Components

*Click to view similar products for [Headers & Wire Housings](#) category:*

*Click to view products by [Molex](#) manufacturer:*

Other Similar products are found below :

[892-18-020-10-001101](#) [58102-G61-06LF](#) [582553-1](#) [0009485154](#) [009176003701906](#) [0050291907](#) [LY20-4P-DT1-P1E-BR](#) [02.125.8002.8](#)  
[609-3404](#) [61062-3](#) [622-0430](#) [622-3653LF](#) [63453-116](#) [636-1030](#) [636-1427](#) [636-3427](#) [636-4007](#) [641938-9](#) [641991-4](#) [644827-2](#) [65817-010LF](#)  
[65817-015LF](#) [65863-015LF](#) [66207-023LF](#) [67095-007LF](#) [67601157](#) [68648-049](#) [70.362.1628.0](#) [70-4210](#) [70-4226B](#) [70-4853B](#) [707-5020](#) [707-](#)  
[5028](#) [71.350.2428.0](#) [71918-208LF](#) [71961-016LF](#) [733-134](#) [733-162](#) [754199-000](#) [760-3052](#) [787-8014-00](#) [79531-3000](#) [FCN-360C032-B](#) [FCN-](#)  
[367T-T012/H](#) [FCN-723D010/2](#) [80.063.4001.1](#) [800-90-001-10-001000](#) [800-90-010-10-002000](#) [801-43-002-10-013000](#) [801-43-006-10-002000](#)