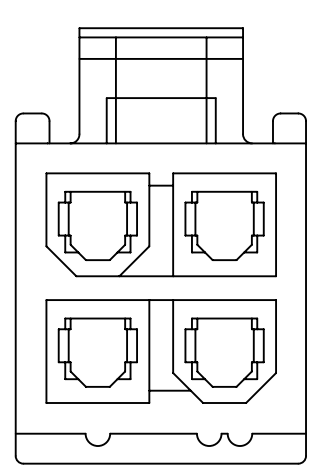


PART NUMBER	ENG. NUMBER	MATERIAL (SEE NOTE 1)
39-01-3028	5557-02R1-210	94V-0
39-01-3048	5557-04R1-210	94V-0
39-01-3022	5557-02R1	94V-2
39-01-3042	5557-04R1	94V-2
39-01-6026	5557-02R1-BL	94V-2, BLACK
NO E.D.P.	5557-04R1-BL	94V-2, BLACK

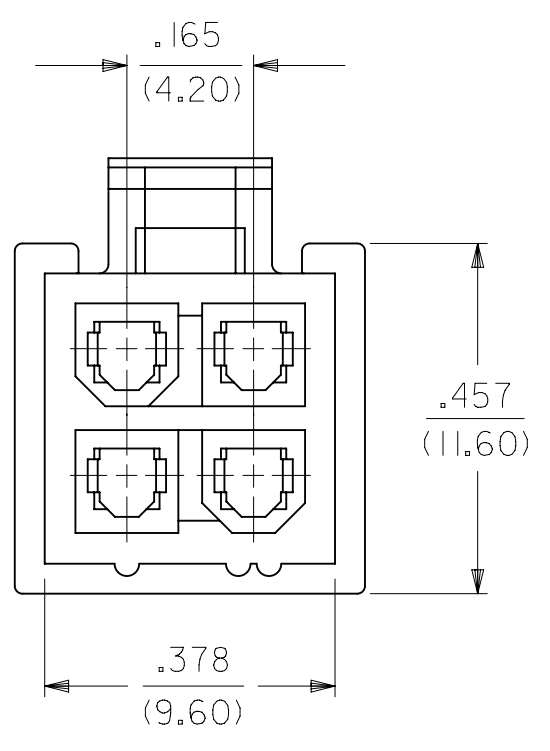
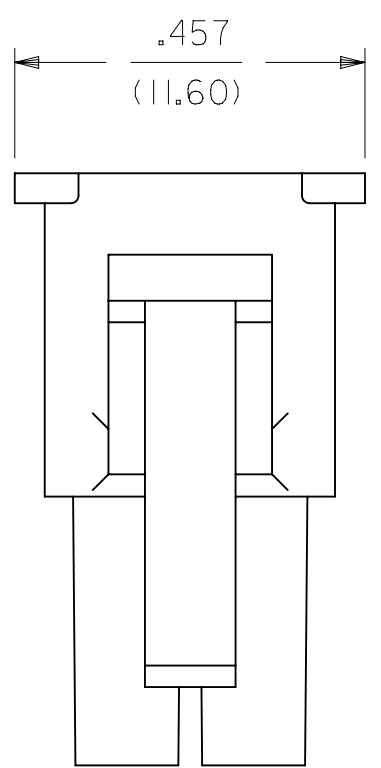
**LEGEND:**

5557-\*\*\* R1-\*\*\*\*

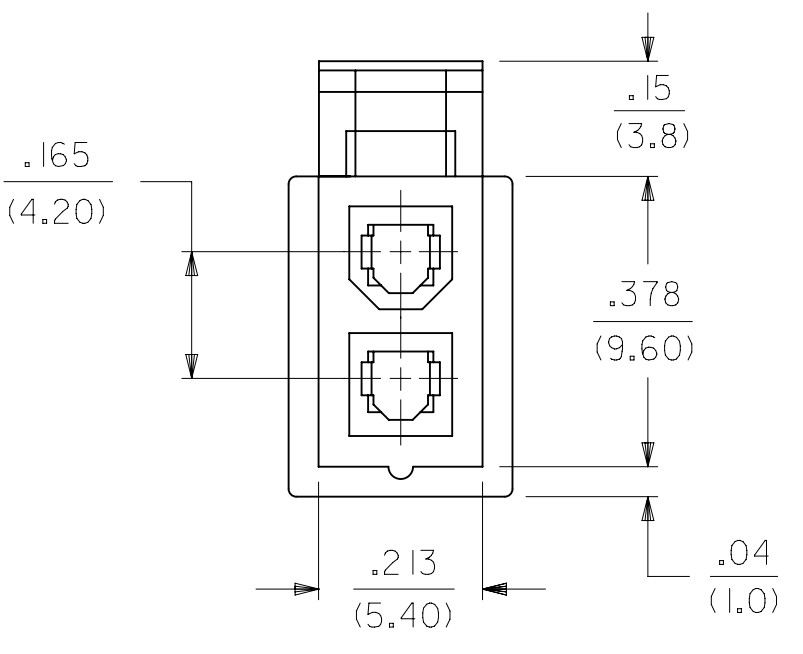
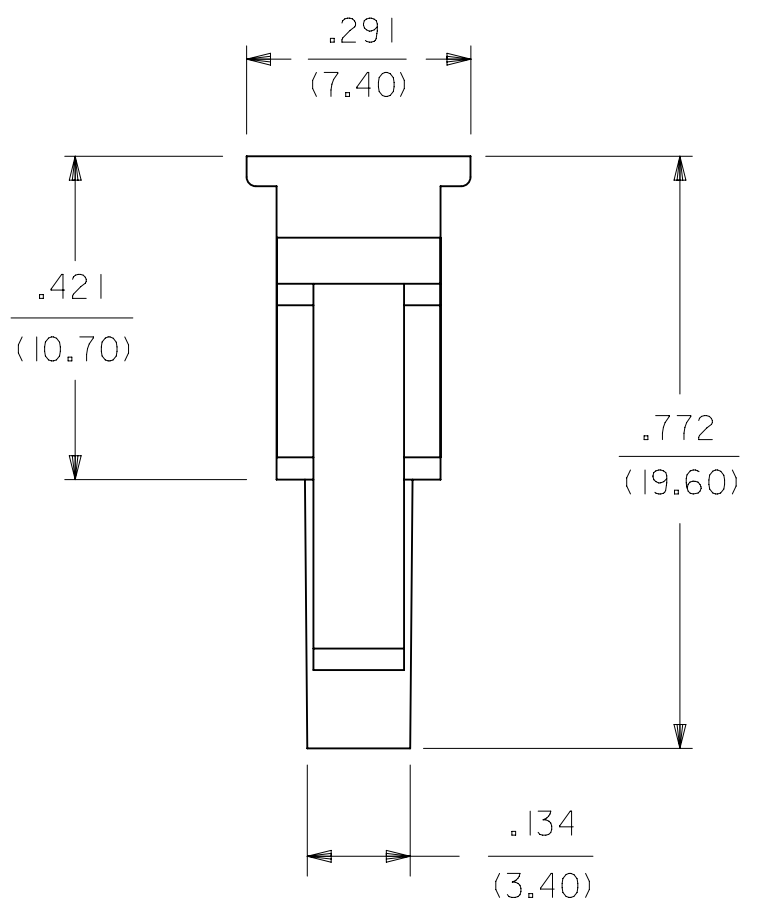
BASE NUMBER  
 CKT. SIZE  
 RECEPTACLE  
 (WITH SIDE PULL TABS)  
 MATERIAL OPTION:  
 (SEE NOTE 1)



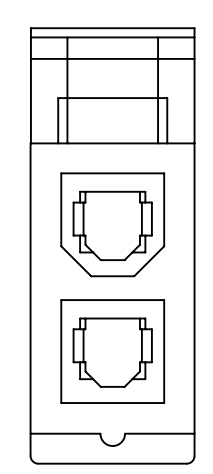
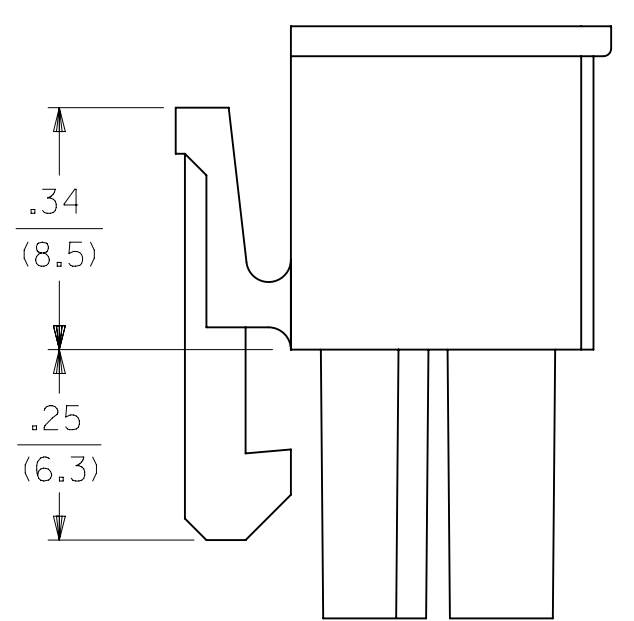
5557-04R-\*\*\*  
 (WITHOUT SIDE PULL TABS)  
 (SHOWN FOR REFERENCE ONLY)



5557-04R1-\*\*\*



5557-02R1-\*\*\*



5557-02R-\*\*\*  
 (WITHOUT SIDE PULL TABS)  
 (SHOWN FOR REFERENCE ONLY)

**NOTES:**

- MATERIAL:  
 "BLANK" = NYLON 6/6, U.L. 94V-2. COLOR: NATURAL.  
 "210" = NYLON 6/6, U.L. 94V-0. COLOR: NATURAL.  
 "BL" = NYLON 6/6, U.L. 94V-2. COLOR: BLACK.
- FINISH: NOT APPLICABLE
- PRODUCT SPECIFICATION: PS-5556-001.
- PARTS TO BE PACKAGED PER PK-5557-002
- PART MATES WITH MOLEX PLUG #5559.
- PART IS FOR USE WITH MOLEX FEMALE TERMINAL #5556.
- PART IS NOT DESIGNED FOR CURRENT SHARING.
- CONNECTORS ARE NOT TO BE MATED OR UNMATED WHILE CIRCUITS ARE LIVE.
- WIRES ARE TO BE DRESSED IN SUCH A MANNER TO ALLOW THE TERMINALS TO FLOAT FREELY IN THE POCKET.
- PART CONFORMS TO CLASS "B" REQUIREMENTS OF COSMETIC SPECIFICATION PS-45499-002

THIS DRAWING CONTAINS INFORMATION THAT IS PROPRIETARY TO MOLEX ELECTRONIC TECHNOLOGIES, LLC AND SHOULD NOT BE USED WITHOUT WRITTEN PERMISSION									
SYMBOLS	DIMENSION UNITS		SCALE		CURRENT REV DESC: MIGRATE TO ECTR				
	IN/MM		4:1						
▽ = 0	GENERAL TOLERANCES (UNLESS SPECIFIED)				EC NO: 172489 DRWN: AZAHIROVIC 2018/01/24 CHK'D: JBELL 2018/02/20 APPR: FSMITH 2018/02/22				
	4 PLACES ±		±						
▽ = 0	3 PLACES ±		± 0.015		INITIAL REVISION: DRWN: GEP 1990/08/08 APPR: FSMITH 2012/05/04				
	2 PLACES ±		± 0.38 ± 0.015						
▽ = 0	1 PLACE ±		± 0.38 ±		DOCUMENT NUMBER: 55570001-SD DOC TYPE: PSD DOC PART: 000 REVISION: A				
	0 PLACES ±		±						
▽ = 0	ANGULAR TOL ± 0.5 °				MATERIAL NUMBER: SEE CHART CUSTOMER: GENERAL MARKET SHEET NUMBER: 1 OF 1				
	DRAFT WHERE APPLICABLE MUST REMAIN WITHIN DIMENSIONS								
THIRD ANGLE PROJECTION		DRAWING		SERIES					
C-SIZE		5557							

THIS DRAWING REPLACES DRAWING SD-5557-\*\*\*R1-\*

## X-ON Electronics

Largest Supplier of Electrical and Electronic Components

*Click to view similar products for [Headers & Wire Housings](#) category:*

*Click to view products by [Molex](#) manufacturer:*

Other Similar products are found below :

[892-18-020-10-001101](#) [58102-G61-06LF](#) [582553-1](#) [0009485154](#) [009176003701906](#) [0050291907](#) [LY20-4P-DT1-P1E-BR](#) [02.125.8002.8](#)  
[609-3404](#) [61062-3](#) [622-0430](#) [622-3653LF](#) [63453-116](#) [636-1030](#) [636-1427](#) [636-3427](#) [636-4007](#) [641938-9](#) [641991-4](#) [644827-2](#) [65817-010LF](#)  
[65817-015LF](#) [65863-015LF](#) [66207-023LF](#) [67095-007LF](#) [67601157](#) [68648-049](#) [70.362.1628.0](#) [70-4210](#) [70-4226B](#) [70-4853B](#) [707-5020](#) [707-](#)  
[5028](#) [71.350.2428.0](#) [71918-208LF](#) [71961-016LF](#) [733-134](#) [733-162](#) [754199-000](#) [760-3052](#) [787-8014-00](#) [79531-3000](#) [FCN-360C032-B](#) [FCN-](#)  
[367T-T012/H](#) [FCN-723D010/2](#) [80.063.4001.1](#) [800-90-001-10-001000](#) [800-90-010-10-002000](#) [801-43-002-10-013000](#) [801-43-006-10-002000](#)