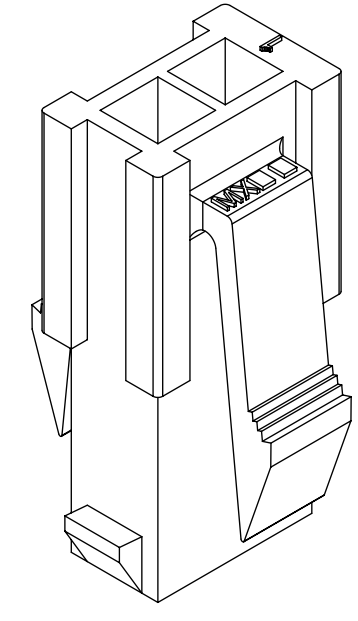
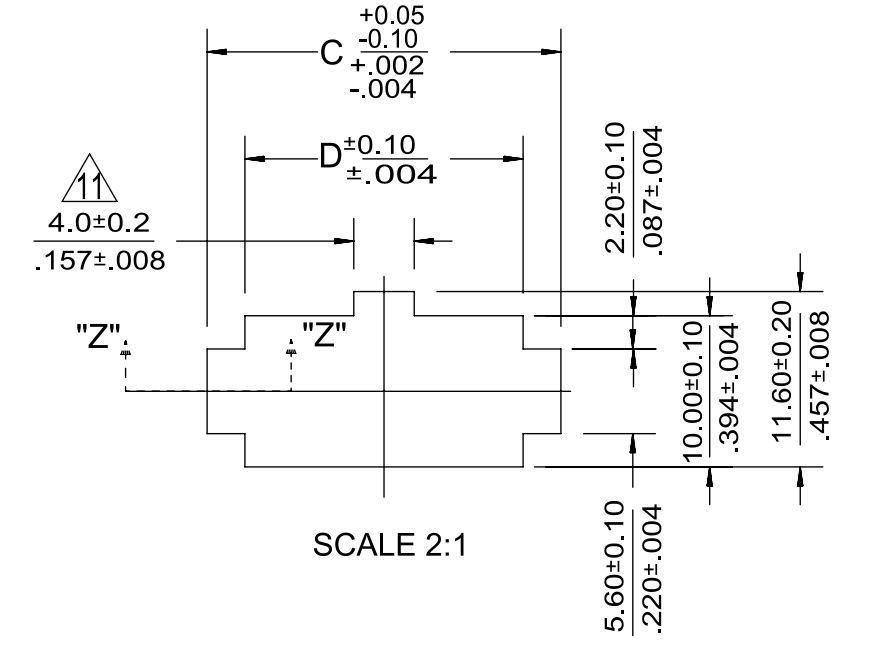
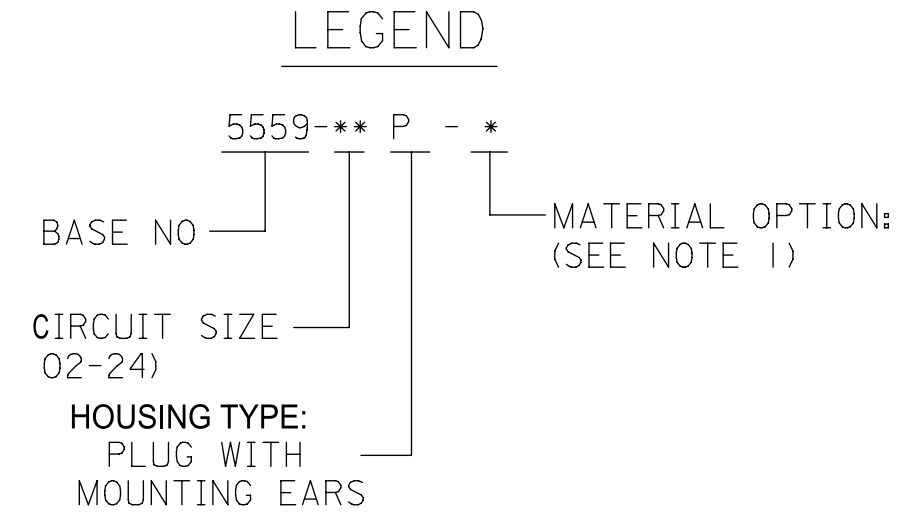
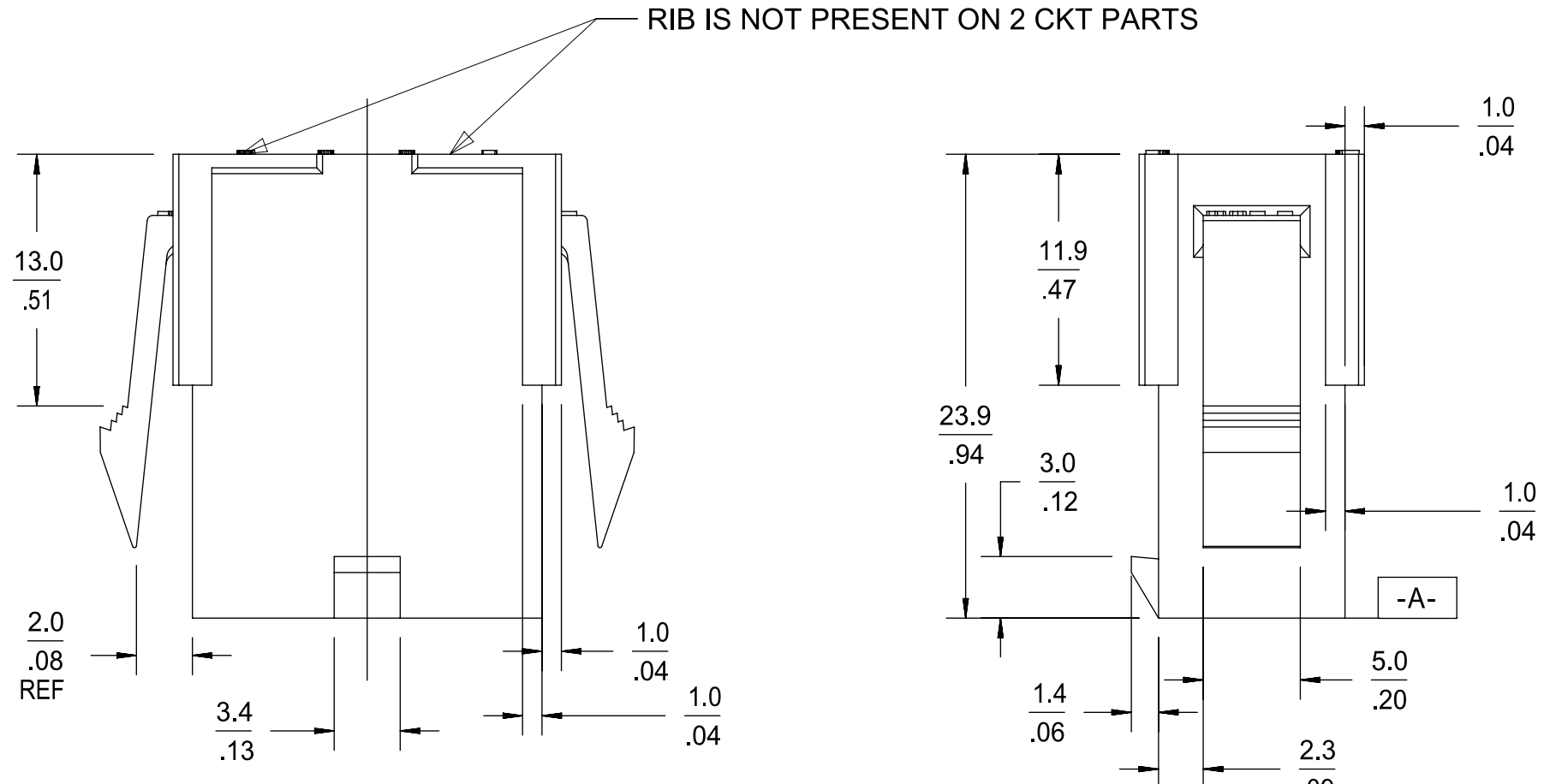


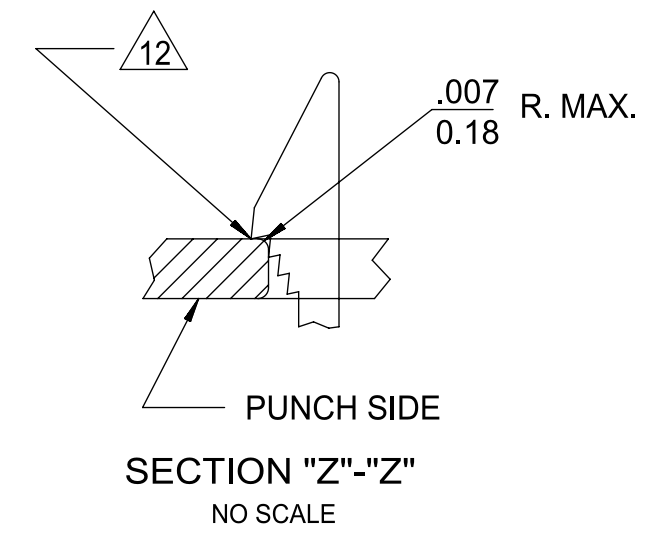
8 CKT SHOWN



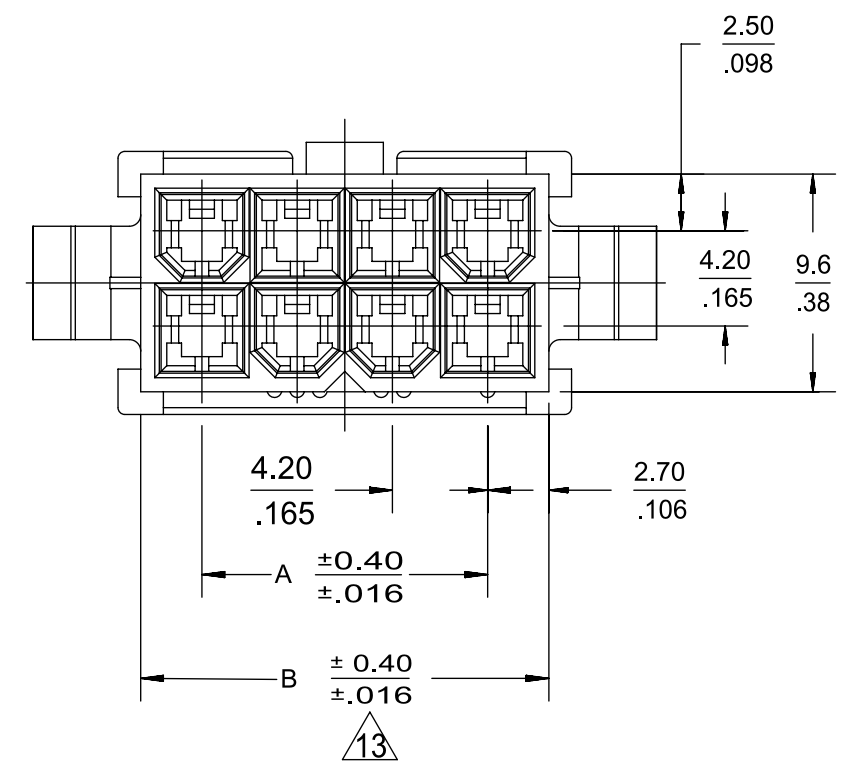
2 CKT SHOWN



RECOMMENDED PANEL HOLE DIMENSIONS (THICKNESS : 0.8-2.0/.032-.079)



	D	C	B	A	CIRCUIT
52.1/2.051	57.0/2.244	51.6/2.031	46.2/1.819	24	24
47.9/1.886	52.8/2.079	47.4/1.866	42.0/1.654	22	22
43.7/1.720	48.6/1.913	43.2/1.701	37.8/1.488	20	20
39.5/1.555	44.4/1.748	39.0/1.535	33.6/1.323	18	18
35.3/1.390	40.2/1.583	34.8/1.370	29.4/1.158	16	16
31.1/1.224	36.0/1.417	30.6/1.205	25.2/.992	14	14
26.8/1.055	31.8/1.252	26.4/1.039	21.0/.827	12	12
22.6/.890	27.6/1.087	22.2/.874	16.8/.661	10	10
18.4/.724	23.4/.921	18.0/.709	12.6/.496	8	8
14.2/.559	19.2/.756	13.8/.543	8.4/.331	6	6
10.0/.394	15.0/.591	9.6/.378	4.2/.165	4	4
5.8/.228	10.8/.425	5.4/.213	—	2	2



- NOTES:
- MATERIAL:
 - "BLANK" = NYLON 6/6, 94V-2, COLOR: NATURAL.
 - "BL" = NYLON 6/6, 94V-2, COLOR: BLACK.
 - "BU" = NYLON 6/6, 94V-2, COLOR: BLUE.
 - "RE" = NYLON 6/6, 94V-2, COLOR: RED.
 - "210" = NYLON 6/6, 94V-0, COLOR: NATURAL.
 - "400" = NYLON 6/6, 94V-0, COLOR: BLACK.
 - FINISH: NOT APPLICABLE
 - PRODUCT SPECIFICATION: PS-5556-001
 - PACKAGING: BULK PACKED PER PK-5559-001
 - PART MATES WITH MOLEX RECEPTACLE #5557.
 - PART TO BE USED WITH MOLEX MALE TERMINAL #5558.
 - PART IS NOT DESIGNED FOR CURRENT SHARING.
 - CONNECTORS ARE NOT TO BE MATED OR UNMATED WHILE CIRCUITS ARE LIVE.
 - WIRES ARE TO BE DRESSED IN SUCH A MANNER TO ALLOW THE TERMINALS TO FLOAT FREELY IN THE POCKET.
 - PART CONFORMS TO CLASS "B" REQUIREMENTS OF COSMETIC SPECIFICATION PS-45499-002 WITH THE EXCEPTION OF DISCOLORATION, FLASH AND SINK MEET CLASS "C" REQUIREMENTS.
 - ON 2 CIRCUITS PARTS THIS DIMENSION IS ALLOWABLE UP TO "D" DIMENSION.
 - PANEL HOLE TO BE PUNCHED OUT IN THE SAME DIRECTION AS INSERTION INTO THE PANEL.
 - TO BE MEASURED AT SURFACE -A-
 - TEXT ON PART IS FOR REFERENCE ONLY. TEXT AND TEXT LOCATION MAY VARY DEPENDING ON PART NUMBER AND/OR TOOL.

THIS DRAWING CONTAINS INFORMATION THAT IS PROPRIETARY TO MOLEX ELECTRONIC TECHNOLOGIES, LLC AND SHOULD NOT BE USED WITHOUT WRITTEN PERMISSION

DIMENSION UNITS	SCALE	CURRENT REV DESC: OBSOLETE PART NUMBERS	
IN/MM	3:1		
GENERAL TOLERANCES (UNLESS SPECIFIED)			
	MM	INCH	
4 PLACES	±	±	
3 PLACES	±	± 0.012	
2 PLACES	± 0.3	± 0.016	
1 PLACE	± 0.4	±	
0 PLACES	±	±	
ANGULAR TOL	± 3.0 °		
DRAFT WHERE APPLICABLE MUST REMAIN WITHIN DIMENSIONS	THIRD ANGLE PROJECTION	DRAWING	SERIES
		C-SIZE	5559

EC NO: 650267	2020/10/28
DRWN: SKANDB	2020/12/10
CHK'D: GGA	2020/12/10
APPR: GGA	2020/12/10
INITIAL REVISION:	
DRWN: H.HIRAMOTO	1998/10/14
APPR: E.ENOMOTO	1988/10/24

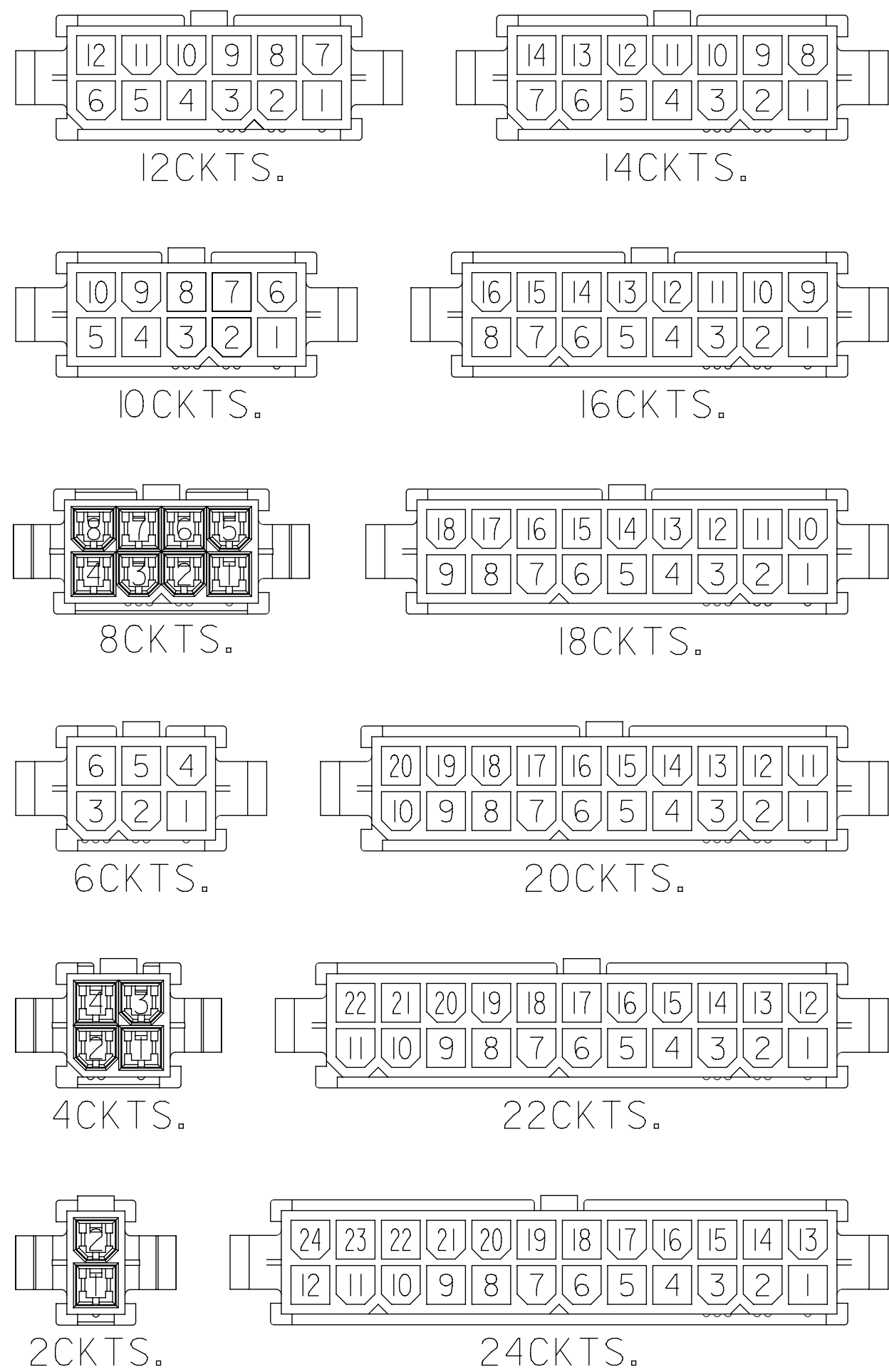
DOCUMENT NUMBER		DOC TYPE	DOC PART	REVISION
55590020-SD		PSD	000	A1
MATERIAL NUMBER	CUSTOMER	SHEET NUMBER		
SEE TABLE	GENERAL MARKET	1 OF 2		

molex

MINI. FIT JR DUAL ROW
2-24CKT PLUG HOUSING WITH EARS

PRODUCT CUSTOMER DRAWING

THIS DRAWING REPLACES SD-5559-NP



CIRCUIT SIZE LAYOUT (SCALE : 2-1)

V-2 BLACK			V-0 BLACK								
EDP NO.	ENG. NO.	CIRCUIT	EDP NO.	ENG. NO.	CIRCUIT						
46999-0157	5559-24P-BL	24	46999-0304	5559-24P-400	24						
		22	46999-0303	5559-22P-400	22						
39-02-8205	5559-20P-BL	20	46999-0302	5559-20P-400	20						
		18	46999-0301	5559-18P-400	18						
		16	46999-0300	5559-16P-400	16						
		14	46999-0299	5559-14P-400	14						
		2	46999-0298	5559-12P-400	2						
		10	46999-0297	5559-10P-400	10						
		8	46999-0296	5559-08P-400	8						
39-02-8065	5559-06P-BL	6	46999-0295	5559-06P-400	6						
		4	46999-0294	5559-04P-400	4						
		2	46999-0293	5559-02P-400	2						
V-2 BLUE			V-2 RED			V-0 NATURAL			V-2 NATURAL		
EDP NO.	ENG. NO.	CIRCUIT	EDP NO.	ENG. NO.	CIRCUIT	EDP NO.	ENG. NO.	CIRCUIT	EDP NO.	ENG. NO.	CIRCUIT
		24			24	39-01-2246	5559 -24P-210	24	39-01-2241	5559-24P	24
		22			22	▲ -2226	▲ -22P-210	22	▲ -2221	▲ -22P	22
		20			20	-2206	-20P-210	20	-2201	-20P	20
		18			18	-2186	-18P-210	18	-2181	-18P	18
		16			16	-2166	-16P-210	16	-2161	-16P	16
		14			14	-2146	-14P-210	14	-2141	-14P	14
		2			2	-2126	-12P-210	2	-2121	-12P	2
		10			10	-2106	-10P-210	10	-2101	-10P	10
		8			8	-2086	-08P-210	8	-2081	-08P	8
		6			6	-2066	-06P-210	6	-2061	-06P	6
		4			4	▼ -2046	▼ -04P-210	4	▼ -2041	▼ -04P	4
		2			2	39-01-2026	5559 -02P-210	2	39-01-2021	5559-02P	2

THIS DRAWING CONTAINS INFORMATION THAT IS PROPRIETARY TO MOLEX ELECTRONIC TECHNOLOGIES, LLC AND SHOULD NOT BE USED WITHOUT WRITTEN PERMISSION

DIMENSION UNITS	SCALE	CURRENT REV DESC: OBSOLETE PART NUMBERS	
IN/MM	3:1		
GENERAL TOLERANCES (UNLESS SPECIFIED)		EC NO: 650267	
4 PLACES	±	DRWN: SKANDB	2020/10/28
3 PLACES	±	CHK'D: GGA	2020/12/10
2 PLACES	± 0.3	APPR: GGA	2020/12/10
1 PLACE	± 0.4	INITIAL REVISION:	
0 PLACES	±	DRWN: H.HIRAMOTO	1998/10/14
ANGULAR TOL	± 3.0 °	APPR: E.ENOMOTO	1988/10/24
DRAFT WHERE APPLICABLE MUST REMAIN WITHIN DIMENSIONS		THIRD ANGLE PROJECTION	DRAWING SERIES
			C-SIZE 5559
DOCUMENT STATUS		DOCUMENT NUMBER	DOC TYPE DOC PART REVISION
P1	RELEASE DATE 2020/12/10 08:27:42	55590020-SD	PSD 000 A1
		MATERIAL NUMBER	CUSTOMER SHEET NUMBER
		SEE TABLE	GENERAL MARKET 2 OF 2

X-ON Electronics

Largest Supplier of Electrical and Electronic Components

Click to view similar products for [Headers & Wire Housings](#) category:

Click to view products by [Molex](#) manufacturer:

Other Similar products are found below :

[892-18-020-10-001101](#) [58102-G61-06LF](#) [582553-1](#) [0009485154](#) [009176003701906](#) [0050291907](#) [LY20-4P-DT1-P1E-BR](#) [02.125.8002.8](#)
[609-3404](#) [61062-3](#) [622-0430](#) [622-3653LF](#) [63453-116](#) [636-1030](#) [636-1427](#) [636-3427](#) [636-4007](#) [641938-9](#) [641991-4](#) [644827-2](#) [65817-010LF](#)
[65817-015LF](#) [65863-015LF](#) [66207-023LF](#) [67095-007LF](#) [67601157](#) [68648-049](#) [70.362.1628.0](#) [70-4210](#) [70-4226B](#) [70-4853B](#) [707-5020](#) [707-5028](#) [71.350.2428.0](#) [71918-208LF](#) [71961-016LF](#) [733-134](#) [733-162](#) [754199-000](#) [760-3052](#) [787-8014-00](#) [79531-3000](#) [FCN-360C032-B](#) [FCN-367T-T012/H](#) [FCN-723D010/2](#) [80.063.4001.1](#) [800-90-001-10-001000](#) [800-90-010-10-002000](#) [801-43-002-10-013000](#) [801-43-006-10-002000](#)