

4 CKT SHOWN

NOTES:

1) MATERIAL:

- "BLANK" = NYLON 6/6, UNFILLED UL94V-2, COLOR: NATURAL.
- "BL" = NYLON 6/6, UNFILLED UL94V-2, COLOR: BLACK.
- "BU" = NYLON 6/6, UNFILLED UL94V-2, COLOR: BLUE.
- "RE" = NYLON 6/6, UNFILLED UL94V-2, COLOR: RED.
- "YE" = NYLON 6/6, UNFILLED UL94V-2, COLOR: YELLOW
- "GRE" = NYLON 6/6, UNFILLED UL94V-2, COLOR: GREEN.
- "210" = NYLON 6/6, UNFILLED UL94V-0, COLOR: NATURAL.
- "400" = NYLON 6/6, UNFILLED UL94V-0, COLOR: BLACK.

2) FINISH: NOT APPLICABLE

3) PRODUCT SPECIFICATION: PS-5556-001

4) PACKAGING: BULK PACKED PER PK-5557-002

5) PART MATES WITH MOLEX PLUG #5559 AND HEADERS #5566, #5569.

6) PART TO BE USED WITH MOLEX FEMALE TERMINAL #5556.

7) PART IS NOT DESIGNED FOR CURRENT SHARING.

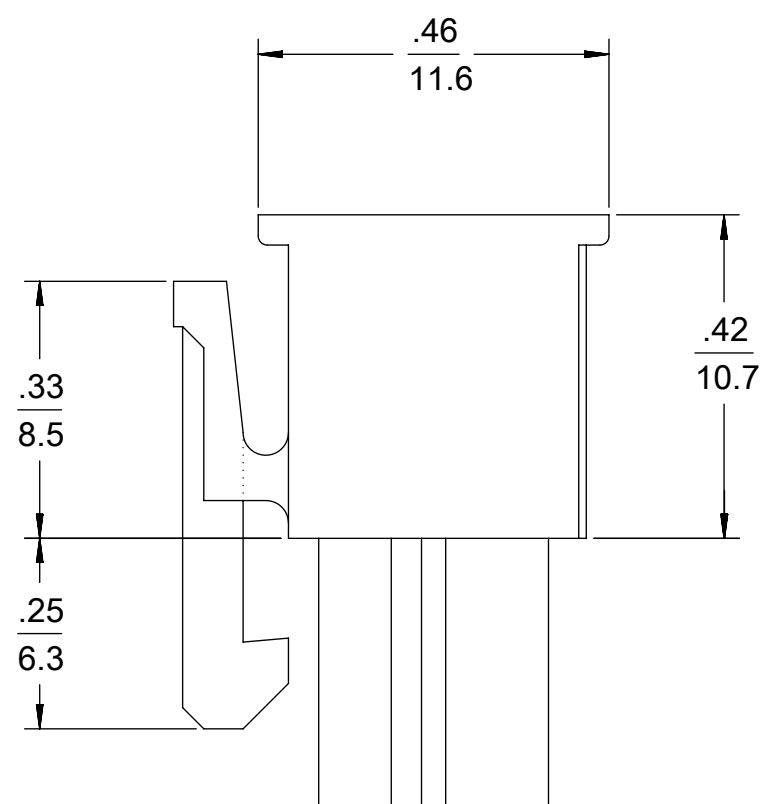
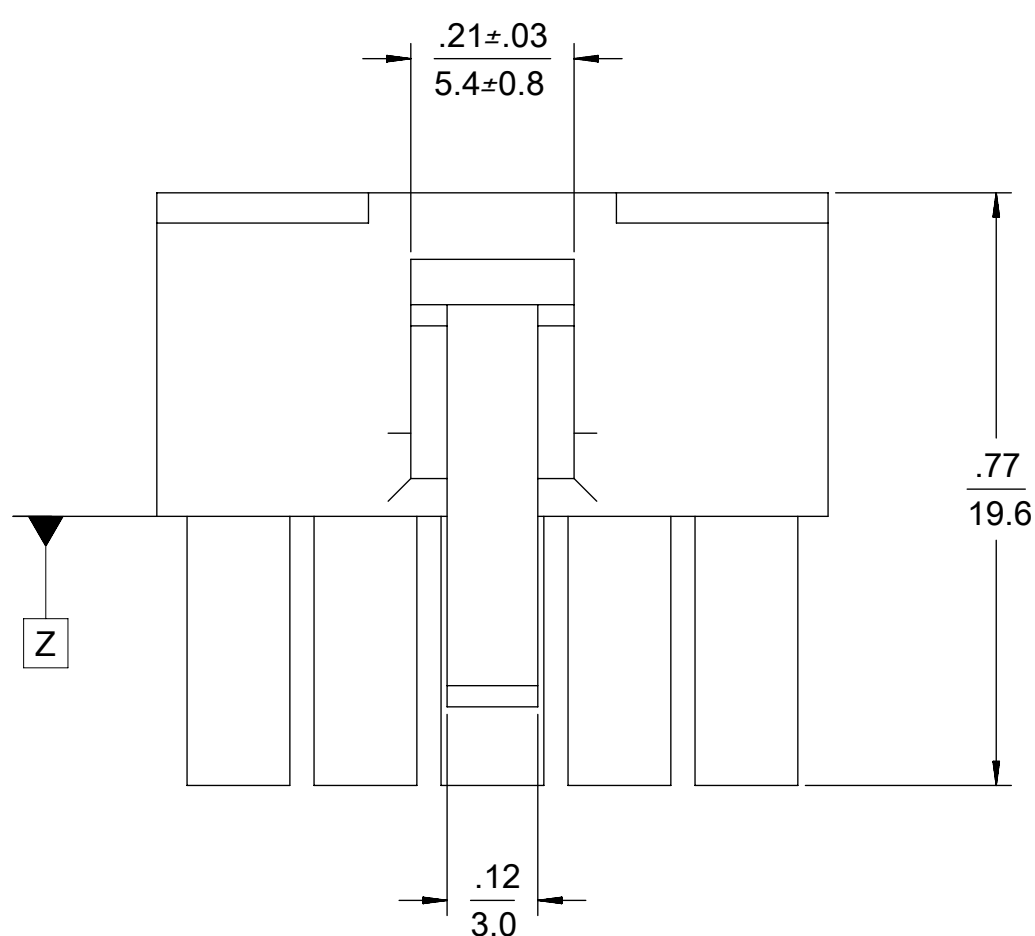
8) CONNECTORS ARE NOT TO BE MATED OR UNMATED WHILE CIRCUITS ARE LIVE.

9) WIRES ARE TO BE DRESSED IN SUCH A MANNER TO ALLOW THE TERMINALS TO FLOAT FREELY IN THE POCKET.

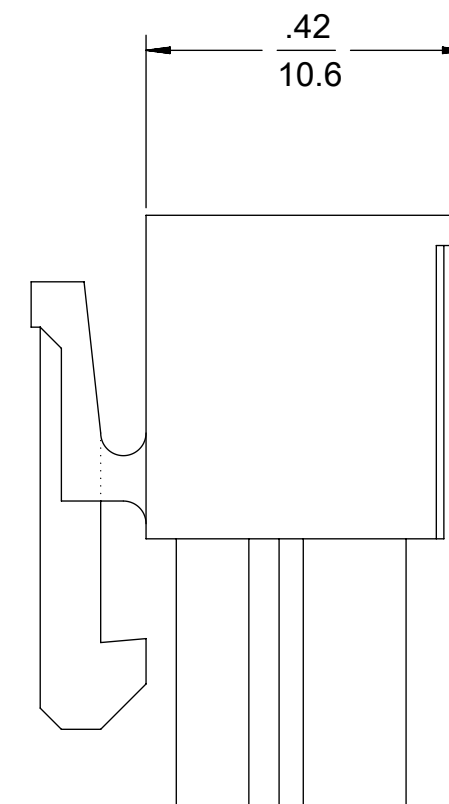
10) PART CONFORMS TO CLASS "B" REQUIREMENTS OF COSMETIC SPECIFICATION PS-45499-002 WITH THE EXCEPTION OF DISCOLORATION, FLASH AND SINK MEET CLASS "C" REQUIREMENTS.

$\triangle 11$  TO BE MEASURED AT SURFACE  $\square Z$

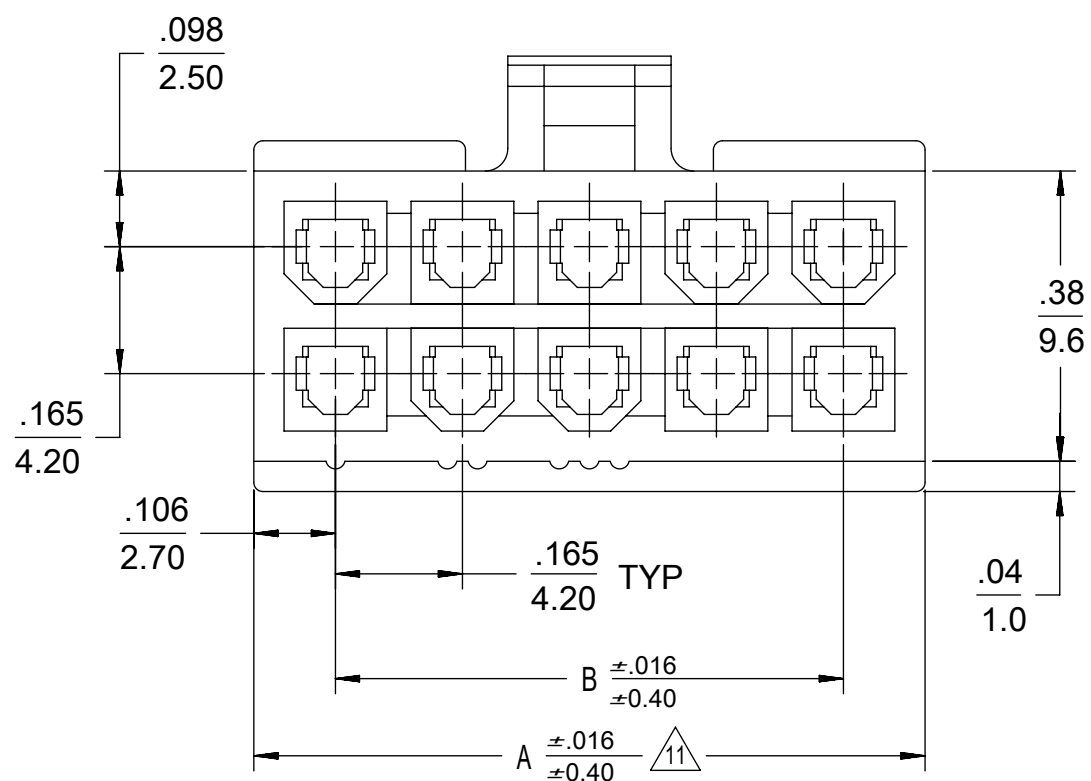
$\triangle 12$  TEXT ON PART IS FOR REFERENCE ONLY. TEXT AND TEXT LOCATION MAY VARY DEPENDING ON PART NUMBER AND/OR TOOL.



4-24 CKT

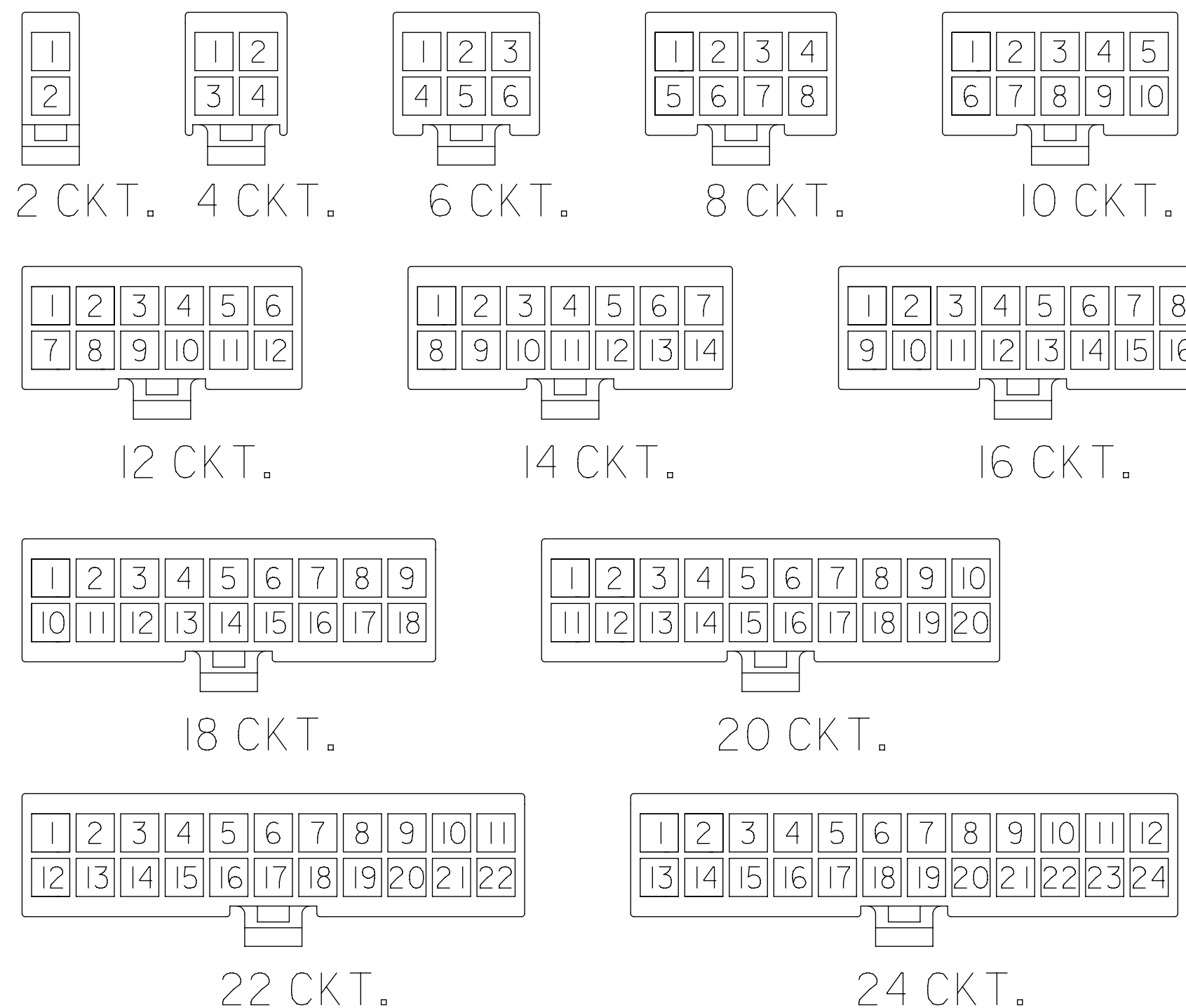


2 CKT ONLY



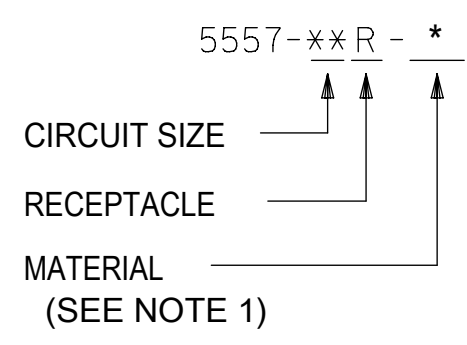
2.031/(51.60)	1.819/(46.20)	24
1.866/(47.40)	1.654/(42.00)	22
1.701/(43.20)	1.488/(37.80)	20
1.535/(39.00)	1.323/(33.60)	18
1.370/(34.80)	1.157/(29.40)	16
1.205/(30.60)	0.992/(25.20)	14
1.039/(26.40)	0.827/(21.00)	12
0.874/(22.20)	0.661/(16.80)	10
0.709/(18.00)	0.496/(12.60)	8
0.543/(13.80)	0.331/(8.40)	6
0.378/(9.60)	0.165/(4.20)	4
0.213/(5.40)	—+—	2
A	B	NO. OF CKTS.

THIS DRAWING CONTAINS INFORMATION THAT IS PROPRIETARY TO MOLEX ELECTRONIC TECHNOLOGIES, LLC AND SHOULD NOT BE USED WITHOUT WRITTEN PERMISSION									
DIMENSION UNITS		SCALE		CURRENT REV DESC: OBSOLETE PART NUMBERS					
IN/MM		4:1		<p><b>molex</b></p> <p>MINIFIT JR RECEPTACLE HOUSING DUAL ROW 2-24 CKT</p> <p>PRODUCT CUSTOMER DRAWING</p> <p>DOCUMENT NUMBER: <b>SD-5557-003</b>   DOC TYPE: PSD   DOC PART: 000   REVISION: J19</p> <p>MATERIAL NUMBER: SEE TABLE   CUSTOMER: GENERAL MARKET   SHEET NUMBER: 1 OF 2</p>					
GENERAL TOLERANCES (UNLESS SPECIFIED)									
	MM	INCH							
4 PLACES	±	±							
3 PLACES	±	± 0.01							
2 PLACES	± 0.25	± 0.015							
1 PLACE	± 0.38	±							
0 PLACES	±	±							
ANGULAR TOL ± 0.5°				EC NO: 650267		2020/10/27			
DRAFT WHERE APPLICABLE MUST REMAIN WITHIN DIMENSIONS				DRWN: SKANDB		2020/12/10			
THIRD ANGLE PROJECTION				CHK'D: GGA		2020/12/10			
DRAWING: C-SIZE				APPR: GGA		2020/12/10			
SERIES: 5557				INITIAL REVISION:		1990/02/22			
				DRWN: S.MOCHIZUKI		2011/02/21			
				APPR: FSMITH					



CIRCUIT SIZE LAYOUT  
(NOT TO SCALE)

LEGEND



V-0 (BLACK)			V-0 (NATURAL)		
EDP. NO.	ENG. NO.	NO. OF CKTS.	EDP. NO.	ENG. NO.	NO. OF CKTS.
39-03-9242	5557-24R-400	24	39-01-2245	5557-24R-210	24
-	-	22	39-01-2225	5557-22R-210	22
-	-	20	39-01-2205	5557-20R-210	20
39-03-9182	5557-18R-400	18	39-01-2185	5557-18R-210	18
39-03-9162	5557-16R-400	16	39-01-2165	5557-16R-210	16
39-03-9142	5557-14R-400	14	39-01-2145	5557-14R-210	14
39-03-9122	5557-12R-400	12	39-01-2125	5557-12R-210	12
39-03-9102	5557-10R-400	10	39-01-2105	5557-10R-210	10
39-03-9082	5557-08R-400	8	39-01-2085	5557-08R-210	8
39-03-9062	5557-06R-400	6	39-01-2065	5557-06R-210	6
39-03-9042	5557-04R-400	4	39-01-2045	5557-04R-210	4
39-03-9022	5557-02R-400	2	39-01-2025	5557-02R-210	2

\* = CONSULT FACTORY FOR AVAILABILITY.

V-2 (BLUE)			V-2 (GREEN)			V-2 (YELLOW)			V-2 (RED)			V-2 (BLACK)			V-2 (NATURAL)		
EDP. NO.	ENG. NO.	NO. OF CKTS.	EDP. NO.	ENG. NO.	NO. OF CKTS.	EDP. NO.	ENG. NO.	NO. OF CKTS.	EDP. NO.	ENG. NO.	NO. OF CKTS.	EDP. NO.	ENG. NO.	NO. OF CKTS.	EDP. NO.	ENG. NO.	NO. OF CKTS.
		24			24			24	-	-	24	-	-	24	39-01-2240	5557-24R	24
		22			22			22	-	-	22	39-01-3225	5557-22R-BL	22	39-01-2220	5557-22R	22
		20			20			20	-	-	20	-	-	20	39-01-2200	5557-20R	20
		18			18			18	-	-	18	-	-	18	39-01-2180	5557-18R	18
		16			16			16	-	-	16	-	-	16	39-01-2160	5557-16R	16
		14			14			14	-	-	14	-	-	14	39-01-2140	5557-14R	14
		12			12			12	-	-	12	39-01-3125	5557-12R-BL	12	39-01-2120	5557-12R	12
*	39-02-7108	5557-10R-BU			10			10	-	-	10	39-01-3105	5557-10R-BL	10	39-01-2100	5557-10R	10
		8			8			8	-	-	8	39-01-3085	5557-08R-BL	8	39-01-2080	5557-08R	8
		6			6			6	39-02-8060	5557-06R-RE	6	39-01-3065	5557-06R-BL	6	39-01-2060	5557-06R	6
		4			4			4	* 39-02-8040	5557-04R-RE	4	39-01-3045	5557-04R-BL	4	39-01-2040	5557-04R	4
		2			2			2	-	-	2	39-01-3025	5557-02R-BL	2	39-01-2020	5557-02R	2

THIS DRAWING CONTAINS INFORMATION THAT IS PROPRIETARY TO MOLEX ELECTRONIC TECHNOLOGIES, LLC AND SHOULD NOT BE USED WITHOUT WRITTEN PERMISSION

DIMENSION UNITS: IN/MM SCALE: 4:1

GENERAL TOLERANCES (UNLESS SPECIFIED):

	MM	INCH
4 PLACES	±	±
3 PLACES	±	± 0.01
2 PLACES	± 0.25	± 0.015
1 PLACE	± 0.38	±
0 PLACES	±	±
ANGULAR TOL	± 0.5°	

CURRENT REV DESC: OBSOLETE PART NUMBERS

EC NO: 650267  
DRWN: SKANDB 2020/10/27  
CHK'D: GGA 2020/12/10  
APPR: GGA 2020/12/10

INITIAL REVISION:  
DRWN: S.MOCHIZUKI 1990/02/22  
APPR: FSMITH 2011/02/21

DRAFT WHERE APPLICABLE MUST REMAIN WITHIN DIMENSIONS

THIRD ANGLE PROJECTION

DRAWING: C-SIZE SERIES: 5557

**molex**

MINIFIT JR RECEPTACLE HOUSING DUAL ROW 2-24 CKT

PRODUCT CUSTOMER DRAWING

DOCUMENT NUMBER: SD-5557-003 DOC TYPE: PSD DOC PART: 000 REVISION: J19

MATERIAL NUMBER: SEE TABLE CUSTOMER: GENERAL MARKET SHEET NUMBER: 2 OF 2

## X-ON Electronics

Largest Supplier of Electrical and Electronic Components

*Click to view similar products for [Headers & Wire Housings](#) category:*

*Click to view products by [Molex](#) manufacturer:*

Other Similar products are found below :

[892-18-020-10-001101](#) [58102-G61-06LF](#) [582553-1](#) [0009485154](#) [009176003701906](#) [0050291907](#) [LY20-4P-DT1-P1E-BR](#) [02.125.8002.8](#)  
[609-3404](#) [61062-3](#) [622-0430](#) [622-3653LF](#) [63453-116](#) [636-1030](#) [636-1427](#) [636-3427](#) [636-4007](#) [641938-9](#) [641991-4](#) [644827-2](#) [65817-010LF](#)  
[65817-015LF](#) [65863-015LF](#) [66207-023LF](#) [67095-007LF](#) [67601157](#) [68648-049](#) [70.362.1628.0](#) [70-4210](#) [70-4226B](#) [70-4853B](#) [707-5020](#) [707-](#)  
[5028](#) [71.350.2428.0](#) [71918-208LF](#) [71961-016LF](#) [733-134](#) [733-162](#) [754199-000](#) [760-3052](#) [787-8014-00](#) [79531-3000](#) [FCN-360C032-B](#) [FCN-](#)  
[367T-T012/H](#) [FCN-723D010/2](#) [80.063.4001.1](#) [800-90-001-10-001000](#) [800-90-010-10-002000](#) [801-43-002-10-013000](#) [801-43-006-10-002000](#)