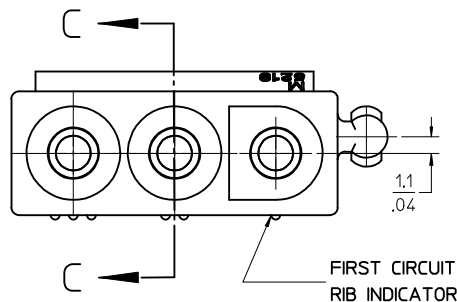


RECOMMENDED P.C. BOARD HOLE DIM.

SCALE 2:1



NOTES:

1) MATERIAL:

HOUSING: "BLANK" = NYLON 6/6, UL94V-2, COLOR: NATURAL

"201" = NYLON 6/6, UL94V-0, COLOR: NATURAL

TERMINAL: C2700W BRASS

2) FINISH: 0.000003/(.0000001) MIN. TIN OVERALL OVER

0.000001/(.00000004) MIN. NICKEL OVERALL

3) PRODUCT SPECIFICATION: PS-3191-003

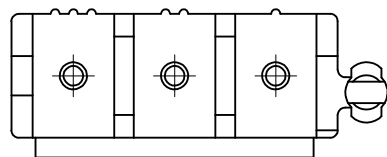
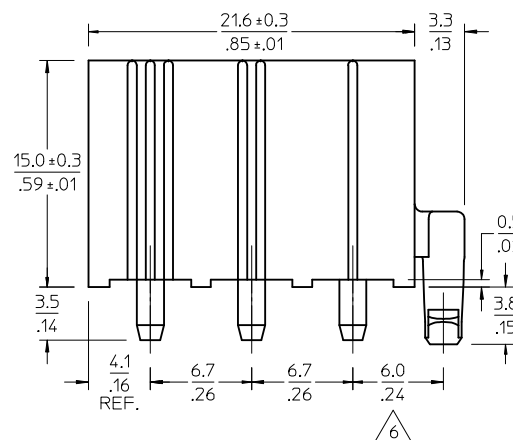
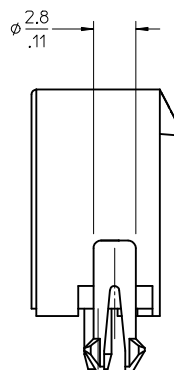
4) PACKAGING: PK-5219-002

5) MATES WITH: 3191-03R SERIES

DIFFERENCE OF DIMENSION IS INTENTIONAL TO PREVENT PART RISING FROM P.C.B.

7) PARTS CONFORM TO CLASS 'B' REQUIREMENTS OF COSMETIC

SPECIFICATION PS-45499-002.



ENG. NO.	ORDER NO.	PIN STYLE	HSG. MATERIAL	PIN PLATING
5219-03A	I5-31-I036	SOLID	94V-2 NYLON	TIN
5219-03B	I5-31-3036	HOLLOW	94V-2 NYLON	TIN
5219-03A-201	39-28-7038	SOLID	94V-0 NYLON	TIN

ADD P/N 15-31-3036 EC NO: UCP2014-1950 DRW:ALHAG 2013/12/16 CHKD:JBELL 2013/12/16 APPR:FSMTH 2013/12/19	QUALITY SYMBOLS	GENERAL TOLERANCES (UNLESS SPECIFIED)	DIMENSION STYLE	SCALE	DESIGN UNITS	THIRD ANGLE PROJECTION															
	$\nabla=0$ $\nabla=0$	<table border="1"> <thead> <tr> <th></th> <th>mm</th> <th>INCH</th> </tr> </thead> <tbody> <tr> <td>4 PLACES</td> <td>± .005</td> <td>± .0005</td> </tr> <tr> <td>3 PLACES</td> <td>± .005</td> <td>± .0005</td> </tr> <tr> <td>2 PLACES</td> <td>± 0.13</td> <td>± .010</td> </tr> <tr> <td>1 PLACE</td> <td>± 0.25</td> <td>± .020</td> </tr> </tbody> </table>		mm	INCH	4 PLACES	± .005	± .0005	3 PLACES	± .005	± .0005	2 PLACES	± 0.13	± .010	1 PLACE	± 0.25	± .020	MM/IN	4:1	METRIC	
		mm	INCH																		
	4 PLACES	± .005	± .0005																		
3 PLACES	± .005	± .0005																			
2 PLACES	± 0.13	± .010																			
1 PLACE	± 0.25	± .020																			
DESCRIPTION	DRAWN BY	DATE	TITLE	NEW INTERNATIONAL CONN. HEADER AND ASSY.																	
	TASAKAWA	1995/11/18																			
	CHECKED BY	DATE		MOLEX INCORPORATED																	
	HHIRAMOT	1995/11/18																			
	APPROVED BY	DATE		DOCUMENT NO. SD-5219-03A-* SHEET NO. 1 OF 1																	
	FUKUSHIM	1995/11/18																			
	MATERIAL NO.	SEE CHART		THIS DRAWING CONTAINS INFORMATION THAT IS PROPRIETARY TO MOLEX INCORPORATED AND SHOULD NOT BE USED WITHOUT WRITTEN PERMISSION																	

X-ON Electronics

Largest Supplier of Electrical and Electronic Components

Click to view similar products for [Pin & Socket Connectors](#) category:

Click to view products by [Molex](#) manufacturer:

Other Similar products are found below :

[6450822-1](#) [770392-1](#) [794042-1](#) [796885-1](#) [8-794535-1](#) [PLR3455ACS-222](#) [R929991004](#) [R929993003](#) [1403611-1](#) [1-480349-5](#) [152302-5](#)
[153211-2](#) [1586092-1](#) [1586129-1](#) [1586681-4](#) [1586700-1](#) [1586368-1](#) [1586380-1](#) [1586616-1](#) [1586680-5](#) [16-06-0038](#) [164164-5](#) [1-6609930-1](#)
[172296-1](#) [19-09-2035](#) [200503-1](#) [200788-2](#) [2029090-4](#) [2029095-4](#) [925061-7](#) [293734-4](#) [293737-2](#) [1-765362-4](#) [1871534-1](#) [200833-4](#)
[2008625-2](#) [2029027-2](#) [2029096-4](#) [R929991000](#) [R929991002](#) [R929993000](#) [319-10-101-00-005000](#) [319-10-102-00-001000](#) [319-10-104-00-001000](#) [319-10-105-00-001000](#) [319-10-108-00-001000](#) [319-10-112-00-006000](#) [39-01-8019](#) [319-10-101-00-001000](#) [319-10-102-00-005000](#)