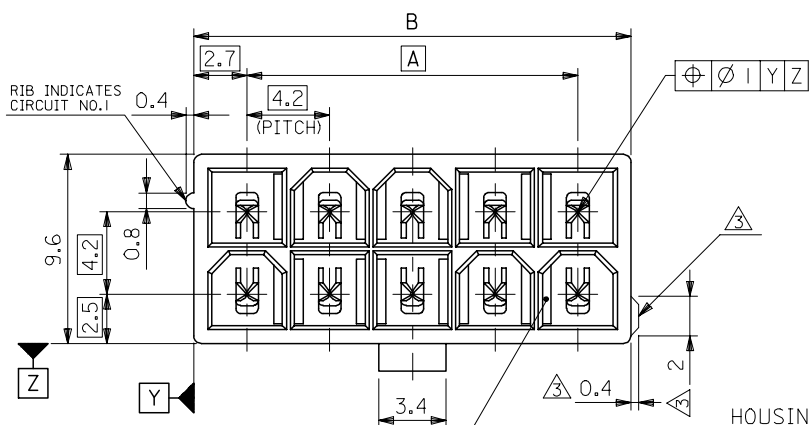
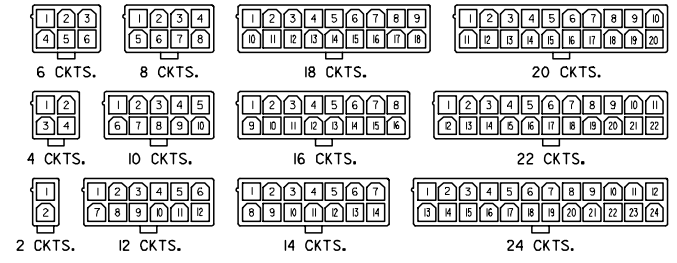


10 9 8 7 6 5 4 3 2 1

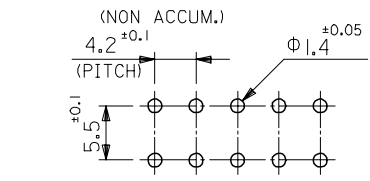
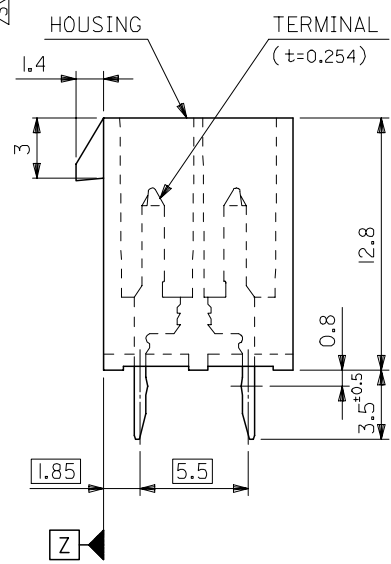
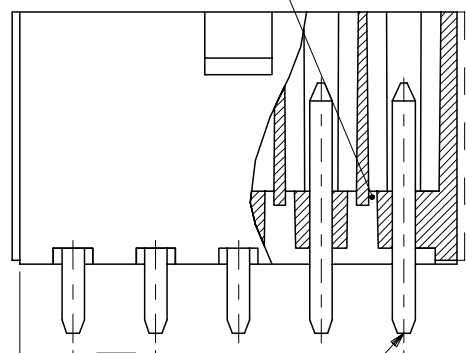


51.6	46.2	24
47.4	42	22
43.2	37.8	20
39	33.6	18
34.8	29.4	16
30.6	25.2	14
26.4	21	12
22.2	16.8	10
18	12.6	8
13.8	8.4	6
9.6	4.2	4
5.4	—	2
DIM. B	DIM. A	CKT. SIZE



CIRCUIT SIZE LAYOUT
(SCALE 1:1)

DRAIN HOLES
(OPTION : SEE NOTE 2)



RECOMMENDED P.C. BOARD PATTERN
(SCALE 2:1)

NOTES

- MATE WITH : 5557 SERIES
- LEGEND
 BASE NUMBER _____
 CIRCUIT SIZE _____
 ASS'Y TYPE _____
 A : WITHOUT DRAIN HOLES
 B : WITH DRAIN HOLES
 TERMINAL MATERIAL _____
 "BLANK" : BRASS
 PB : PHOSPHOR BRONZE
 TERMINAL PLATING _____
 "BLANK" : BRIGHT TIN 0.9μm MIN. OVER COPPER 0.5μm MIN. (BRASS)
 TIN 0.9μm MIN. REFLOW TREATMENT
 OR BRIGHT TIN 0.9μm MIN. (PHOSPHOR BRONZE)
 S : BRIGHT TIN 2.54μm MIN. OVER NICKEL 1.27μm MIN.
 GS : SELECT GOLD 0.76μm MIN. AND SELECT PURE TIN 2.54μm MIN. OVER NICKEL 1.27μm MIN.
 GS2 : SELECT GOLD 0.38μm MIN. AND SELECT PURE TIN 2.54μm MIN. OVER NICKEL 1.27μm MIN.
 HOUSING MATERIAL _____
 "BLANK" : NYLON 66, UL94V-2
 210 : NYLON 66, UL94V-0
 310 : G.F. 30% PCT, UL94V-0
 400 : NYLON 66, UL94V-0, BLACK
 COLOR OR PACKAGING _____
 BL : BLACK RE : RED GR : GRAY
 BU : BLUE YE : YELLOW
 TA : TRAY PACKAGING FOR TRAYS (IN US)

EXTERNAL RIB APPEARS ON MX-USA PARTS ONLY. MODEL NO. 5566-N****-***

REVISED EC NO: J2007-2529 DRWNG: SAIT001 2007/03/07 CHKDK: TOYODA 2007/03/09 APPR: NUKITA 2007/03/12	GENERAL TOLERANCES (UNLESS SPECIFIED)		DIMENSION STYLE MM ONLY		SCALE 4:1	DESIGN UNITS METRIC	THIRD ANGLE PROJECTION
	10 UNDER	±0.2	DRAWN BY H. HIRAMOTO		TITLE NEW MINI FIT CONNECTOR HEADER HOUSING ASS'Y -LEAD FREE-		
	10 OVER 30 UNDER	±0.3	DATE '89/04/03		MOLEX INCORPORATED		
	30 OVER	±0.4	CHECKED BY M. FUKUSHIMA				
	ANGULAR ±3°	DATE '94/04/20		MATERIAL NO. SEE TABLE		DOCUMENT NO. SD-5566-002	SHEET NO. 1 OF 6
	DRAFT WHERE APPLICABLE MUST REMAIN WITHIN DIMENSIONS		APPROVED BY M. FUKUSHIMA		THIS DRAWING CONTAINS INFORMATION THAT IS PROPRIETARY TO MOLEX INCORPORATED AND SHOULD NOT BE USED WITHOUT WRITTEN PERMISSION		

	10	9	8	7	6	5	4	3	2	1	
F	NOT TOOLED	5566-24APB-3IO	NOT TOOLED	5566-24AGS2-3IO	NOT TOOLED	5566-24AGS-3IO	NOT TOOLED	5566-24AS-3IO	NOT TOOLED	5566-24A-3IO	24
	↑	↑	↑	↑	↑	↑	↑	↑	↑	↑	
		-22APB-3IO		-22AGS2-3IO		-22AGS-3IO		-22AS-3IO		-22A-3IO	22
		-20APB-3IO		-20AGS2-3IO		-20AGS-3IO		-20AS-3IO		-20A-3IO	20
		-18APB-3IO		-18AGS2-3IO		-18AGS-3IO		-18AS-3IO		-18A-3IO	18
		-16APB-3IO		-16AGS2-3IO		-16AGS-3IO		-16AS-3IO		-16A-3IO	16
		-14APB-3IO		-14AGS2-3IO		-14AGS-3IO		-14AS-3IO		-14A-3IO	14
		-12APB-3IO		-12AGS2-3IO		-12AGS-3IO		-12AS-3IO		-12A-3IO	12
		-10APB-3IO		-10AGS2-3IO		-10AGS-3IO		-10AS-3IO		-10A-3IO	10
		-08APB-3IO		-08AGS2-3IO		-08AGS-3IO		-08AS-3IO		-08A-3IO	8
	-06APB-3IO		-06AGS2-3IO		-06AGS-3IO		-06AS-3IO		-06A-3IO	6	
	-04APB-3IO		-04AGS2-3IO		-04AGS-3IO		-04AS-3IO		-04A-3IO	4	
E	NOT TOOLED	5566-02APB-3IO	NOT TOOLED	5566-02AGS2-3IO	NOT TOOLED	5566-02AGS-3IO	NOT TOOLED	5566-02AS-3IO	NOT TOOLED	5566-02A-3IO	2
	EDP NO.	ENG. NO.	EDP NO.	ENG. NO.	EDP NO.	ENG. NO.	EDP NO.	ENG. NO.	EDP NO.	ENG. NO.	CKT. SIZE
	5566-NAPB-3IO		5566-NAGS2-3IO		5566-NAGS-3IO		5566-NAS-3IO		5566-NA-3IO		
	39-29-5247	5566-24APB-2IO	39-30-9245	5566-24AGS2-2IO	39-29-6248	5566-24AGS-2IO	39-30-6242	5566-24AS-2IO	39-28-8240	5566-24A-2IO	24
	↑	↑	↑	↑	↑	↑	↑	↑	↑	↑	
	-5227	-22APB-2IO	-9225	-22AGS2-2IO	-6228	-22AGS-2IO	-6222	-22AS-2IO	-8220	-22A-2IO	22
	-5207	-20APB-2IO	-9205	-20AGS2-2IO	-6208	-20AGS-2IO	-6202	-20AS-2IO	-8200	-20A-2IO	20
	-5187	-18APB-2IO	-9185	-18AGS2-2IO	-6188	-18AGS-2IO	-6182	-18AS-2IO	-8180	-18A-2IO	18
	-5167	-16APB-2IO	-9165	-16AGS2-2IO	-6168	-16AGS-2IO	-6162	-16AS-2IO	-8160	-16A-2IO	16
	-5147	-14APB-2IO	-9145	-14AGS2-2IO	-6148	-14AGS-2IO	-6142	-14AS-2IO	-8140	-14A-2IO	14
-5127	-12APB-2IO	-9125	-12AGS2-2IO	-6128	-12AGS-2IO	-6122	-12AS-2IO	-8120	-12A-2IO	12	
-5107	-10APB-2IO	-9105	-10AGS2-2IO	-6108	-10AGS-2IO	-6102	-10AS-2IO	-8100	-10A-2IO	10	
-5087	-08APB-2IO	-9085	-08AGS2-2IO	-6088	-08AGS-2IO	-6082	-08AS-2IO	-8080	-08A-2IO	8	
-5067	-06APB-2IO	-9065	-06AGS2-2IO	-6068	-06AGS-2IO	-6062	-06AS-2IO	-8060	-06A-2IO	6	
-5047	-04APB-2IO	-9045	-04AGS2-2IO	-6048	-04AGS-2IO	-6042	-04AS-2IO	-8040	-04A-2IO	4	
39-29-5027	5566-02APB-2IO	39-30-9025	5566-02AGS2-2IO	39-29-6028	5566-02AGS-2IO	39-30-6022	5566-02AS-2IO	39-28-8020	5566-02A-2IO	2	
EDP NO.	ENG. NO.	EDP NO.	ENG. NO.	EDP NO.	ENG. NO.	EDP NO.	ENG. NO.	EDP NO.	ENG. NO.	CKT. SIZE	
5566-NAPB-2IO		5566-NAGS2-2IO		5566-NAGS-2IO		5566-NAS-2IO		5566-NA-2IO			
39-29-5246	5566-24APB	39-30-9244	5566-24AGS2	39-29-0243	5566-24AGS	39-30-6241	5566-24AS	39-28-1243	5566-24A	24	
↑	↑	↑	↑	↑	↑	↑	↑	↑	↑		
-5226	-22APB	-9224	-22AGS2	-0223	-22AGS	-6221	-22AS	-1223	-22A	22	
-5206	-20APB	-9204	-20AGS2	-0203	-20AGS	-6201	-20AS	-1203	-20A	20	
-5186	-18APB	-9184	-18AGS2	-0183	-18AGS	-6181	-18AS	-1183	-18A	18	
-5166	-16APB	-9164	-16AGS2	-0163	-16AGS	-6161	-16AS	-1163	-16A	16	
-5146	-14APB	-9144	-14AGS2	-0143	-14AGS	-6141	-14AS	-1143	-14A	14	
-5126	-12APB	-9124	-12AGS2	-0123	-12AGS	-6121	-12AS	-1123	-12A	12	
-5106	-10APB	-9104	-10AGS2	-0103	-10AGS	-6101	-10AS	-1103	-10A	10	
-5086	-08APB	-9084	-08AGS2	-0083	-08AGS	-6081	-08AS	-1083	-08A	8	
-5066	-06APB	-9064	-06AGS2	-0063	-06AGS	-6061	-06AS	-1063	-06A	6	
-5046	-04APB	-9044	-04AGS2	-0043	-04AGS	-6041	-04AS	-1043	-04A	4	
39-29-5026	5566-02APB	39-30-9024	5566-02AGS2	39-29-0023	5566-02AGS	39-30-6021	5566-02AS	39-28-1023	5566-02A	2	
EDP NO.	ENG. NO.	EDP NO.	ENG. NO.	EDP NO.	ENG. NO.	EDP NO.	ENG. NO.	EDP NO.	ENG. NO.	CKT. SIZE	
5566-NAPB		5566-NAGS2		5566-NAGS		5566-NAS		5566-NA			

A	REVISED EC NO: J2007-2529 DRW:KSAI T001 2007/03/07 CHK:KTOY00A 2007/03/09 APP:NUKITA 2007/03/12	DESCRIPTION	GENERAL TOLERANCES (UNLESS SPECIFIED)		DIMENSION STYLE MM ONLY		SCALE ---	DESIGN UNITS METRIC	THIRD ANGLE PROJECTION	
			10 UNDER	± ---	DRAWN BY H. HIRAMOTO	DATE '89/04/03	TITLE NEW MINI FIT CONNECTOR HEADER HOUSING ASS'Y -LEAD FREE-			
			10 OVER 30 UNDER	± ---	CHECKED BY M. FUKUSHIMA	DATE '94/04/20	MOLEX INCORPORATED			
			30 OVER	± ---	APPROVED BY M. FUKUSHIMA	DATE '94/04/20				
			ANGULAR	± --- °	MATERIAL NO. SEE TABLE		DOCUMENT NO. SD-5566-002	SHEET NO. 2 OF 6		
DRAFT WHERE APPLICABLE MUST REMAIN WITHIN DIMENSIONS		SIZE A3	THIS DRAWING CONTAINS INFORMATION THAT IS PROPRIETARY TO MOLEX INCORPORATED AND SHOULD NOT BE USED WITHOUT WRITTEN PERMISSION							

	10	9	8	7	6	5	4	3	2	1	
F	NOT TOOLED	5566-24BGS2-3 IO	NOT TOOLED	5566-24BGS-3 IO	NOT TOOLED	5566-24BS-3 IO	NOT TOOLED	5566-24B-3 IO	NOT TOOLED	5566-24APBS-3 IO	24
	↑	↑ -22BGS2-3 IO	↑	↑ -22BGS-3 IO	↑	↑ -22BS-3 IO	↑	↑ -22B-3 IO	↑	↑ -22APBS-3 IO	22
		↑ -20BGS2-3 IO		↑ -20BGS-3 IO		↑ -20BS-3 IO		↑ -20B-3 IO		↑ -20APBS-3 IO	20
		↑ -18BGS2-3 IO		↑ -18BGS-3 IO		↑ -18BS-3 IO		↑ -18B-3 IO		↑ -18APBS-3 IO	18
		↑ -16BGS2-3 IO		↑ -16BGS-3 IO		↑ -16BS-3 IO		↑ -16B-3 IO		↑ -16APBS-3 IO	16
		↑ -14BGS2-3 IO		↑ -14BGS-3 IO		↑ -14BS-3 IO		↑ -14B-3 IO		↑ -14APBS-3 IO	14
		↑ -12BGS2-3 IO		↑ -12BGS-3 IO		↑ -12BS-3 IO		↑ -12B-3 IO		↑ -12APBS-3 IO	12
		↑ -10BGS2-3 IO		↑ -10BGS-3 IO		↑ -10BS-3 IO		↑ -10B-3 IO		↑ -10APBS-3 IO	10
		↑ -08BGS2-3 IO		↑ -08BGS-3 IO		↑ -08BS-3 IO		↑ -08B-3 IO		↑ -08APBS-3 IO	8
		↑ -06BGS2-3 IO		↑ -06BGS-3 IO		↑ -06BS-3 IO		↑ -06B-3 IO		↑ -06APBS-3 IO	6
	↓ -04BGS2-3 IO		↓ -04BGS-3 IO		↓ -04BS-3 IO		↓ -04B-3 IO		↓ -04APBS-3 IO	4	
E	NOT TOOLED	5566-02BGS2-3 IO	NOT TOOLED	5566-02BGS-3 IO	NOT TOOLED	5566-02BS-3 IO	NOT TOOLED	5566-02B-3 IO	NOT TOOLED	5566-02APBS-3 IO	2
	EDP NO.	ENG. NO.	EDP NO.	ENG. NO.	EDP NO.	ENG. NO.	EDP NO.	ENG. NO.	EDP NO.	ENG. NO.	CKT. SIZE
	5566-NBGS2-3 IO		5566-NBGS-3 IO		5566-NBS-3 IO		5566-NB-3 IO		5566-NAPBS-3 IO		
	39-30-9247	5566-24BGS2-2 IO	39-31-0248	5566-24BGS-2 IO	39-31-0242	5566-24BS-2 IO	39-31-0240	5566-24B-2 IO	39-30-6244	5566-24APBS-2 IO	24
	↑ -9227	↑ -22BGS2-2 IO	↑ -0228	↑ -22BGS-2 IO	↑ -0222	↑ -22BS-2 IO	↑ -0220	↑ -22B-2 IO	↑ -6224	↑ -22APBS-2 IO	22
	↑ -9207	↑ -20BGS2-2 IO	↑ -0208	↑ -20BGS-2 IO	↑ -0202	↑ -20BS-2 IO	↑ -0200	↑ -20B-2 IO	↑ -6204	↑ -20APBS-2 IO	20
	↑ -9187	↑ -18BGS2-2 IO	↑ -0188	↑ -18BGS-2 IO	↑ -0182	↑ -18BS-2 IO	↑ -0180	↑ -18B-2 IO	↑ -6184	↑ -18APBS-2 IO	18
	↑ -9167	↑ -16BGS2-2 IO	↑ -0168	↑ -16BGS-2 IO	↑ -0162	↑ -16BS-2 IO	↑ -0160	↑ -16B-2 IO	↑ -6164	↑ -16APBS-2 IO	16
	↑ -9147	↑ -14BGS2-2 IO	↑ -0148	↑ -14BGS-2 IO	↑ -0142	↑ -14BS-2 IO	↑ -0140	↑ -14B-2 IO	↑ -6144	↑ -14APBS-2 IO	14
	↑ -9127	↑ -12BGS2-2 IO	↑ -0128	↑ -12BGS-2 IO	↑ -0122	↑ -12BS-2 IO	↑ -0120	↑ -12B-2 IO	↑ -6124	↑ -12APBS-2 IO	12
↑ -9107	↑ -10BGS2-2 IO	↑ -0108	↑ -10BGS-2 IO	↑ -0102	↑ -10BS-2 IO	↑ -0100	↑ -10B-2 IO	↑ -6104	↑ -10APBS-2 IO	10	
↑ -9087	↑ -08BGS2-2 IO	↑ -0088	↑ -08BGS-2 IO	↑ -0082	↑ -08BS-2 IO	↑ -0080	↑ -08B-2 IO	↑ -6084	↑ -08APBS-2 IO	8	
↑ -9067	↑ -06BGS2-2 IO	↑ -0068	↑ -06BGS-2 IO	↑ -0062	↑ -06BS-2 IO	↑ -0060	↑ -06B-2 IO	↑ -6064	↑ -06APBS-2 IO	6	
↓ -9047	↓ -04BGS2-2 IO	↓ -0048	↓ -04BGS-2 IO	↓ -0042	↓ -04BS-2 IO	↓ -0040	↓ -04B-2 IO	↓ -6044	↓ -04APBS-2 IO	4	
39-30-9027	5566-02BGS2-2 IO	39-31-0028	5566-02BGS-2 IO	39-31-0022	5566-02BS-2 IO	39-31-0020	5566-02B-2 IO	39-30-6024	5566-02APBS-2 IO	2	
EDP NO.	ENG. NO.	EDP NO.	ENG. NO.	EDP NO.	ENG. NO.	EDP NO.	ENG. NO.	EDP NO.	ENG. NO.	CKT. SIZE	
5566-NBGS2-2 IO		5566-NBGS-2 IO		5566-NBS-2 IO		5566-NB-2 IO		5566-NAPBS-2 IO			
39-30-9246	5566-24BGS2	39-31-0247	5566-24BGS	39-31-0241	5566-24BS	39-29-3246	5566-24B	39-30-6243	5566-24APBS	24	
↑ -9226	↑ -22BGS2	↑ -0227	↑ -22BGS	↑ -0221	↑ -22BS	↑ -3226	↑ -22B	↑ -6223	↑ -22APBS	22	
↑ -9206	↑ -20BGS2	↑ -0207	↑ -20BGS	↑ -0201	↑ -20BS	↑ -3206	↑ -20B	↑ -6203	↑ -20APBS	20	
↑ -9186	↑ -18BGS2	↑ -0187	↑ -18BGS	↑ -0181	↑ -18BS	↑ -3186	↑ -18B	↑ -6183	↑ -18APBS	18	
↑ -9166	↑ -16BGS2	↑ -0164	↑ -16BGS	↑ -0161	↑ -16BS	↑ -3166	↑ -16B	↑ -6163	↑ -16APBS	16	
↑ -9146	↑ -14BGS2	↑ -0147	↑ -14BGS	↑ -0141	↑ -14BS	↑ -3146	↑ -14B	↑ -6143	↑ -14APBS	14	
↑ -9126	↑ -12BGS2	↑ -0127	↑ -12BGS	↑ -0121	↑ -12BS	↑ -3126	↑ -12B	↑ -6123	↑ -12APBS	12	
↑ -9106	↑ -10BGS2	↑ -0107	↑ -10BGS	↑ -0101	↑ -10BS	↑ -3106	↑ -10B	↑ -6103	↑ -10APBS	10	
↑ -9086	↑ -08BGS2	↑ -0087	↑ -08BGS	↑ -0081	↑ -08BS	↑ -3086	↑ -08B	↑ -6083	↑ -08APBS	8	
↑ -9066	↑ -06BGS2	↑ -0067	↑ -06BGS	↑ -0061	↑ -06BS	↑ -3066	↑ -06B	↑ -6063	↑ -06APBS	6	
↓ -9046	↓ -04BGS2	↓ -0047	↓ -04BGS	↓ -0041	↓ -04BS	↓ -3046	↓ -04B	↓ -6043	↓ -04APBS	4	
39-30-9026	5566-02BGS2	39-31-0027	5566-02BGS	39-31-0021	5566-02BS	39-29-3026	5566-02B	39-30-6023	5566-02APBS	2	
EDP NO.	ENG. NO.	EDP NO.	ENG. NO.	EDP NO.	ENG. NO.	EDP NO.	ENG. NO.	EDP NO.	ENG. NO.	CKT. SIZE	
5566-NBGS2		5566-NBGS		5566-NBS		5566-NB		5566-NAPBS			

REVISED EC NO: J2007-2529 DRW:KSAI T001 2007/03/07 CHK:KATOY00A 2007/03/09 APP:NUKITA 2007/03/12	GENERAL TOLERANCES (UNLESS SPECIFIED)	DIMENSION STYLE MM ONLY	SCALE ---	DESIGN UNITS METRIC	THIRD ANGLE PROJECTION
	10 UNDER ± ---	DRAWN BY DATE H. HIRAMOTO '89/04/03	TITLE NEW MINI FIT CONNECTOR HEADER HOUSING ASS'Y -LEAD FREE-		
	10 OVER 30 UNDER ± ---	CHECKED BY DATE M. FUKUSHIMA '94/04/20	MOLEX MOLEX INCORPORATED		
	30 OVER ± ---	APPROVED BY DATE M. FUKUSHIMA '94/04/20	MATERIAL NO.	DOCUMENT NO. SD-5566-002	SHEET NO. 3 OF 6
	ANGULAR ± --- °	DRAFT WHERE APPLICABLE MUST REMAIN WITHIN DIMENSIONS		SIZE A3	THIS DRAWING CONTAINS INFORMATION THAT IS PROPRIETARY TO MOLEX INCORPORATED AND SHOULD NOT BE USED WITHOUT WRITTEN PERMISSION

10 9 8 7 6 5 4 3 2 1

F

F

E

E

D

D

C

C

B

B

A

A

									24
									22
									20
									18
					39-33-3169	5566-16A-210-BU	39-33-3168	5566-16A-210-BL	16
									14
									12
			39-33-4100	5566-10A-210-RE	39-33-3109	5566-10A-210-BU	39-33-3108	5566-10A-210-BL	10
							39-33-3088	5566-08A-210-BL	8
									6
			39-33-4040	5566-04A-210-RE	39-33-3049	5566-04A-210-BU			4
39-34-5023	5566-02A-210-YE	39-33-4020	5566-02A-210-RE	39-33-3029	5566-02A-210-BU	39-33-3028	5566-02A-210-BL		2
EDP. NO.	ENG. NO.	EDP. NO.	ENG. NO.	EDP. NO.	ENG. NO.	EDP. NO.	ENG. NO.		CKT. SIZE
5566-NA-210-YE		5566-NA-210-RE		5566-NA-210-BU		5566-NA-210-BL			
									24
									22
									20
									18
									16
39-33-3145	5566-14A-GR			39-33-3166	5566-16A-RE	39-33-3164	5566-16A-BU		14
								39-33-3143	5566-14A-BL
				39-33-3126	5566-12A-RE	39-33-3124	5566-12A-BU		12
				39-33-3106	5566-10A-RE	39-33-3104	5566-10A-BU		10
		39-33-3087	5566-08A-YE	39-33-3086	5566-08A-RE	39-33-3084	5566-08A-BU	39-33-3083	5566-08A-BL
		39-33-3067	5566-06A-YE	39-33-3066	5566-06A-RE	39-33-3064	5566-06A-BU	39-33-3063	5566-06A-BL
				39-33-3046	5566-04A-RE	39-33-3044	5566-04A-BU	39-33-3043	5566-04A-BL
		39-33-3027	5566-02A-YE	39-33-3026	5566-02A-RE	39-33-3024	5566-02A-BU	39-33-3023	5566-02A-BL
EDP. NO.	ENG. NO.	EDP. NO.	ENG. NO.	EDP. NO.	ENG. NO.	EDP. NO.	ENG. NO.	EDP. NO.	ENG. NO.
5566-NA-GR		5566-NA-YE		5566-NA-RE		5566-NA-BU		5566-NA-BL	
									CKT. SIZE

REVISED EC NO: J2007-2529 DRW:KSAIT001 2007/03/07 CHK:KTOY00A 2007/03/09 APPR:NUKITA 2007/03/12	GENERAL TOLERANCES (UNLESS SPECIFIED)		DIMENSION STYLE MM ONLY		SCALE ---	DESIGN UNITS METRIC	THIRD ANGLE PROJECTION	
	10 UNDER	± ---	DRAWN BY H.HIRAMOTO	DATE '89/04/03	TITLE NEW MINI FIT CONNECTOR HEADER HOUSING ASS'Y -LEAD FREE-			
	10 ^{OVER} 30 UNDER	± ---	CHECKED BY M.FUKUSHIMA	DATE '94/04/20				
	30 ^{OVER}	± ---	APPROVED BY M.FUKUSHIMA	DATE '94/04/20	MOLEX INCORPORATED DOCUMENT NO. SD-5566-002 SHEET NO. 5 OF 6			
	ANGULAR	± --- °	MATERIAL NO.					
DRAFT WHERE APPLICABLE MUST REMAIN WITHIN DIMENSIONS		SEE TABLE		THIS DRAWING CONTAINS INFORMATION THAT IS PROPRIETARY TO MOLEX INCORPORATED AND SHOULD NOT BE USED WITHOUT WRITTEN PERMISSION				

F

E

D

C

B

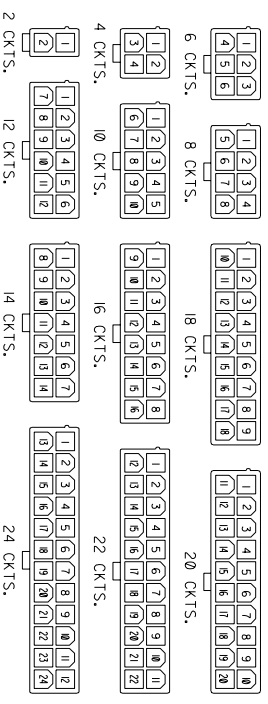
A

39-54-0245	5566-24BGS-210-TA	39-54-0244	5566-24B-210-TA	39-54-0243	5566-24BGS-TA	39-54-0242	5566-24B-TA	24
▲ -0225	▲ -22BGS-210-TA	▲ -0224	▲ -22B-210-TA	▲ -0223	▲ -22BGS-TA	▲ -0222	▲ -22B-TA	22
-0205	-20BGS-210-TA	-0204	-20B-210-TA	-0203	-20BGS-TA	-0202	-20B-TA	20
-0185	-18BGS-210-TA	-0184	-18B-210-TA	-0183	-18BGS-TA	-0182	-18B-TA	18
-0165	-16BGS-210-TA	-0164	-16B-210-TA	-0163	-16BGS-TA	-0162	-16B-TA	16
-0145	-14BGS-210-TA	-0144	-14B-210-TA	-0143	-14BGS-TA	-0142	-14B-TA	14
-0125	-12BGS-210-TA	-0124	-12B-210-TA	-0123	-12BGS-TA	-0122	-12B-TA	12
-0105	-10BGS-210-TA	-0104	-10B-210-TA	-0103	-10BGS-TA	-0102	-10B-TA	10
-0085	-08BGS-210-TA	-0084	-08B-210-TA	-0083	-08BGS-TA	-0082	-08B-TA	8
-0065	-06BGS-210-TA	-0064	-06B-210-TA	-0063	-06BGS-TA	-0062	-06B-TA	6
▼ -0045	▼ -04BGS-210-TA	▼ -0044	▼ -04B-210-TA	▼ -0043	▼ -04BGS-TA	▼ -0042	▼ -04B-TA	4
39-54-0025	5566-02BGS-210-TA	39-54-0024	5566-02B-210-TA	39-54-0023	5566-02BGS-TA	39-54-0022	5566-02B-TA	2
EDP NO.	ENG. NO.	EDP NO.	ENG. NO.	EDP NO.	ENG. NO.	EDP NO.	ENG. NO.	CKT. SIZE
5566-NBGS-210-TA		5566-NB-210-TA		5566-NBGS-TA		5566-NB-TA		

39-54-0241	5566-24AGS-210-TA	39-54-0240	5566-24AGS-TA	39-53-9249	5566-24A-210-TA	39-53-9248	5566-24A-TA	24
▲ -0221	▲ -22AGS-210-TA	▲ -0220	▲ -22AGS-TA	▲ -9229	▲ -22A-210-TA	▲ -9228	▲ -22A-TA	22
-0201	-20AGS-210-TA	-0200	-20AGS-TA	-9209	-20A-210-TA	-9208	-20A-TA	20
-0181	-18AGS-210-TA	-0180	-18AGS-TA	-9189	-18A-210-TA	-9188	-18A-TA	18
-0161	-16AGS-210-TA	-0160	-16AGS-TA	-9169	-16A-210-TA	-9168	-16A-TA	16
-0141	-14AGS-210-TA	-0140	-14AGS-TA	-9149	-14A-210-TA	-9148	-14A-TA	14
-0121	-12AGS-210-TA	-0120	-12AGS-TA	-9129	-12A-210-TA	-9128	-12A-TA	12
-0101	-10AGS-210-TA	-0100	-10AGS-TA	-9109	-10A-210-TA	-9108	-10A-TA	10
-0081	-08AGS-210-TA	-0080	-08AGS-TA	-9089	-08A-210-TA	-9088	-08A-TA	8
-0061	-06AGS-210-TA	-0060	-06AGS-TA	-9069	-06A-210-TA	-9068	-06A-TA	6
▼ -0041	▼ -04AGS-210-TA	▼ -0040	▼ -04AGS-TA	▼ -9049	▼ -04A-210-TA	▼ -9048	▼ -04A-TA	4
39-54-0021	5566-02AGS-210-TA	39-54-0020	5566-02AGS-TA	39-53-9029	5566-02A-210-TA	39-53-9028	5566-02A-TA	2
EDP NO.	ENG. NO.	EDP NO.	ENG. NO.	EDP NO.	ENG. NO.	EDP NO.	ENG. NO.	CKT. SIZE
5566-NAGS-210-TA		5566-NAGS-TA		5566-NA-210-TA		5566-NA-TA		

REVISED EC NO: J2007-2529 DRWNG SAI T001 2007/03/07 CHKDK: TOYODA 2007/03/09 APPR: NUKITA 2007/03/12	GENERAL TOLERANCES (UNLESS SPECIFIED)		DIMENSION STYLE MM ONLY		SCALE ---	DESIGN UNITS METRIC	THIRD ANGLE PROJECTION	
	10 UNDER	± ---	DRAWN BY DATE H. HIRAMOTO '89/04/03		TITLE NEW MINI FIT CONNECTOR HEADER HOUSING ASS'Y -LEAD FREE-			
	10 OVER 30 UNDER	± ---	CHECKED BY DATE M. FUKUSHIMA '94/04/20		MOLEX INCORPORATED DOCUMENT NO. SD-5566-002 SHEET NO. 6 OF 6			
	30 OVER	± ---	APPROVED BY DATE M. FUKUSHIMA '94/04/20					
ANGULAR ± --- °		MATERIAL NO.		SEE TABLE				
DRAFT WHERE APPLICABLE MUST REMAIN WITHIN DIMENSIONS		SIZE A3		THIS DRAWING CONTAINS INFORMATION THAT IS PROPRIETARY TO MOLEX INCORPORATED AND SHOULD NOT BE USED WITHOUT WRITTEN PERMISSION				

51.6	46.2	24
47.4	42	22
43.2	37.8	20
39	33.6	18
34.8	29.4	16
30.6	25.2	14
26.4	21	12
22.2	16.8	10
18	12.6	8
13.8	8.4	6
9.6	4.2	4
5.4	—	2
DIM. B	DIM. A	CKT. SIZE



CIRCUIT SIZE LAYOUT
(SCALE 1:1)

NOTES

1. MATE WITH : 5557 SERIES
2. LEGEND

BASE NUMBER _____ 5566 - N * * * * *
CIRCUIT SIZE _____
ASS'Y TYPE _____

A : WITHOUT DRAIN HOLES
B : WITH DRAIN HOLES

TERMINAL MATERIAL _____
"BLANK" : BRASS
PB : PHOSPHOR BRONZE

TERMINAL PLATING _____
"BLANK" : BRIGHT TIN 0.9μm MIN. OVER COPPER 0.5μm MIN. (BRASS)
TIN 0.9μm MIN. REFLOW TREATMENT

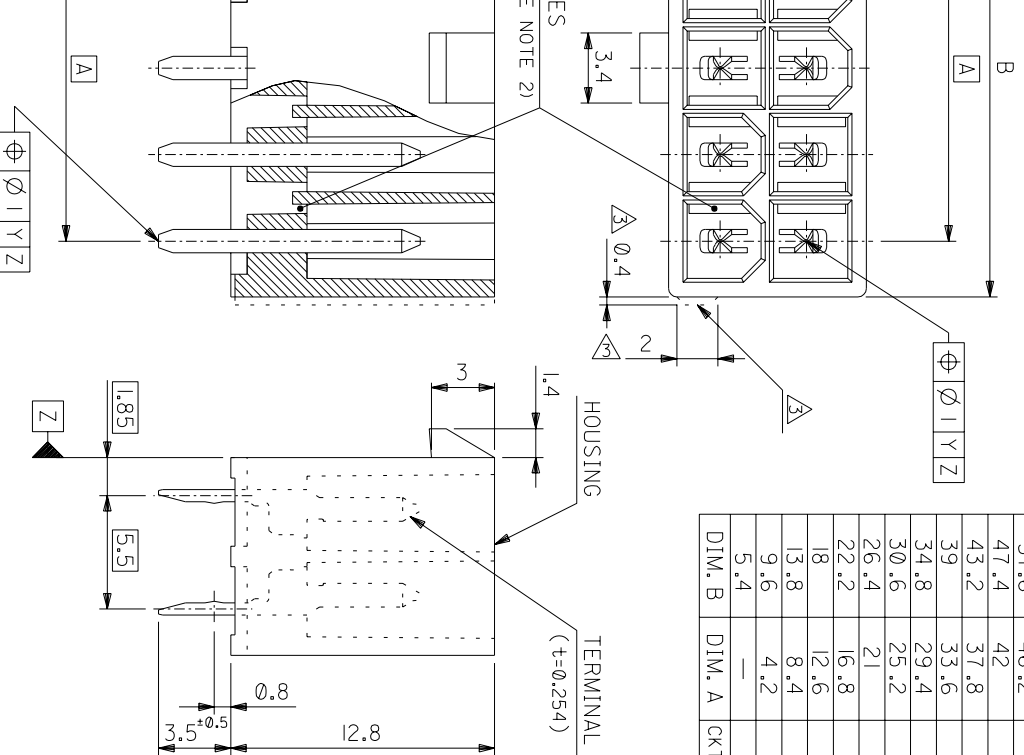
OR BRIGHT TIN 0.9μm MIN. (PHOSPHOR BRONZE)
S : BRIGHT TIN 2.54μm MIN. OVER NICKEL 1.27μm MIN.
GS : SELECT GOLD 0.76μm MIN. AND SELECT PURE TIN 2.54μm MIN.
OVER NICKEL 1.27μm MIN.

GS2 : SELECT GOLD 0.38μm MIN. AND SELECT PURE TIN 2.54μm MIN.
OVER NICKEL 1.27μm MIN.

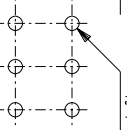
HOUSING MATERIAL _____

"BLANK" : NYLON 66, UL94V-2
210 : NYLON 66, UL94V-0
310 : G.F. 30% PCT, UL94V-0
400 : NYLON 66, UL94V-0, BLACK

EXTERNAL RIB APPEARS ON MX-USA PARTS ONLY.



±0.05
Φ 1.4



BOARD PATTERN

2 : 11

5566-N****	J	REVISED (J2004-4416)	MIN. K, J	94/5/25	材料	SEE NOTE 2	REVISE ONLY ON CAD SYSTEM
MODEL NO.	H	REVISED (J40308)	HH, K, J	94/4/19	仕上げ	SEE NOTE 2	
角度 ANGLE	G	REVISED (J10190)	HH, Y, Y	93/3/7	適用電線範囲	—	TITLE 名称
30 以上	F	REVISED (J00638)	HH, Y, Y	90/6/8	標準外径	—	NEW MINI FIT CONNECTOR
30 以下	E	REVISED (J90681)	HH, Y, Y	89/8/25	INS. RANGE	—	HEADER HOUSING ASS'Y
未済 30 UNDER	D	REVISED & REDRAWN (J90237)	HH, Y, Y	89/4/3	尺度	—	-LEAD FREE-
未済 30 UNDER					APP'D BY	M.FUKUSHIMA	DWG. NO.
一般公差					DATE	SCALE 4 : 1	SD-5566-N****
GENERAL TOLERANCES	記号	変更内容	DR.	日付	M.F.		SHEET 1 OF 4
	TR	REVISION RECORD	CHK.	DATE	M.F.		REV

THIS DRAWING CONTAINS INFORMATION THAT IS PROPRIETARY TO MOLEX/JAPAN AND SHOULD NOT BE USED WITHOUT WRITTEN PERMISSION
本図面は日本モリス(株)の所有する情報を含むもので 当社の許可なく複製を禁止する。

X-ON Electronics

Largest Supplier of Electrical and Electronic Components

Click to view similar products for [Headers & Wire Housings](#) category:

Click to view products by [Molex](#) manufacturer:

Other Similar products are found below :

[892-18-020-10-001101](#) [58102-G61-06LF](#) [582553-1](#) [0009485154](#) [009176003701906](#) [0050291907](#) [LY20-4P-DT1-P1E-BR](#) [02.125.8002.8](#)
[609-3404](#) [61062-3](#) [622-0430](#) [622-3653LF](#) [63453-116](#) [636-1030](#) [636-1427](#) [636-3427](#) [636-4007](#) [641938-9](#) [641991-4](#) [644827-2](#) [65817-010LF](#)
[65817-015LF](#) [65863-015LF](#) [66207-023LF](#) [67095-007LF](#) [67601157](#) [68648-049](#) [70.362.1628.0](#) [70-4210](#) [70-4226B](#) [70-4853B](#) [707-5020](#) [707-](#)
[5028](#) [71.350.2428.0](#) [71918-208LF](#) [71961-016LF](#) [733-134](#) [733-162](#) [754199-000](#) [760-3052](#) [787-8014-00](#) [79531-3000](#) [FCN-360C032-B](#) [FCN-](#)
[367T-T012/H](#) [FCN-723D010/2](#) [80.063.4001.1](#) [800-90-001-10-001000](#) [800-90-010-10-002000](#) [801-43-002-10-013000](#) [801-43-006-10-002000](#)