

NOTES:

1. MATERIALS:

HOUSING:

"BLANK"=NYLON 6/6, UNFILLED UL94 V-2, COLOR: NATURAL
 "130"=GLASS FILLED LCP, UL94 V-0, COLOR: BLACK
 IEC 60335-1, 5TH EDITION GLOW WIRE CAPABLE
 "210"=NYLON 6/6, UNFILLED UL94 V-0, COLOR: NATURAL
 "400"=NYLON 6/6, UNFILLED UL94 V-0, COLOR: BLACK

TERMINALS:

BRASS

2. TERMINAL PLATING:

"BLANK"=.000035/(0.00090) MIN. REFLOWED MATTE TIN OVER
 .000020/(0.00050) MIN. COPPER (PREPLATE)
 (FINISH IS BRIGHT IN APPEARANCE, THICKNESS AS
 APPLIED PRIOR TO REFLOW)

GS2=.000015/(0.00038) MIN. SELECT GOLD AND
 .000100/(0.00254) MIN. SELECT MATTE TIN
 OVER .000050/(0.00127) MIN. NICKEL OVERALL

GS=.000030/(0.00076) MIN. SELECT GOLD AND
 .000100/(0.00254) MIN. SELECT MATTE TIN
 OVER .000050/(0.00127) MIN. NICKEL OVERALL

S=.000100/(0.00254) MIN. BRIGHT TIN OVER
 .000050/(0.00127) MIN. NICKEL

MS=.000100/(0.00254) MIN. MATTE TIN OVER
 .000050/(0.00127) MIN. NICKEL

3. PRODUCT SPECIFICATION: PS-5556-001

4. PACKAGING: TRAY PACKED PER PK-5566-002

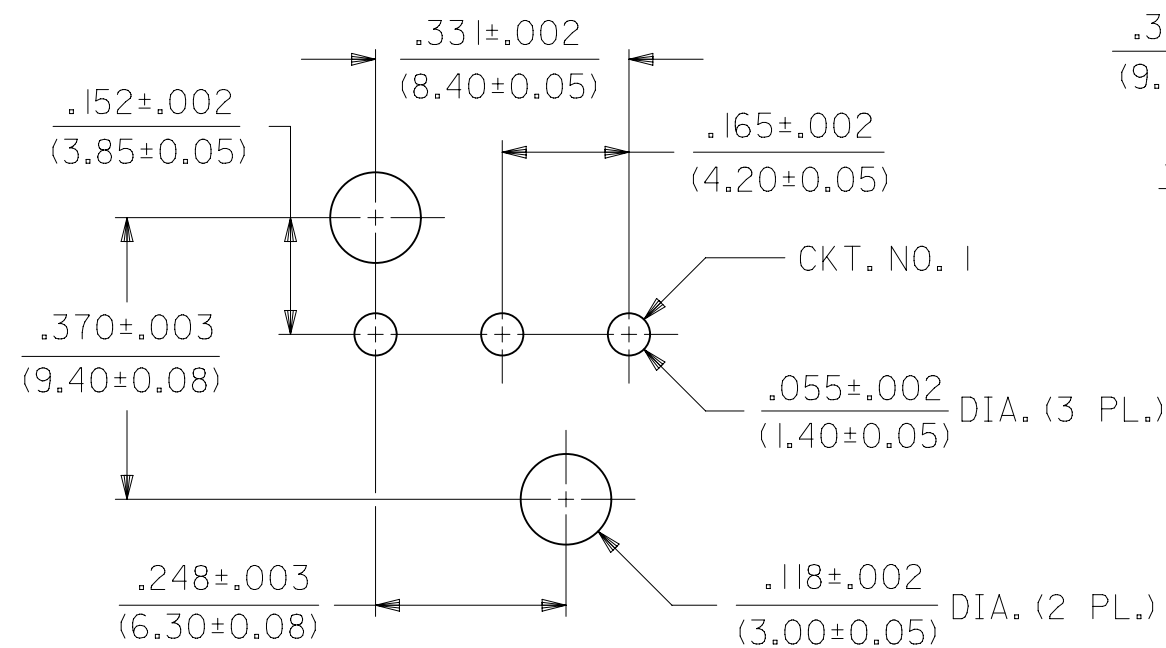
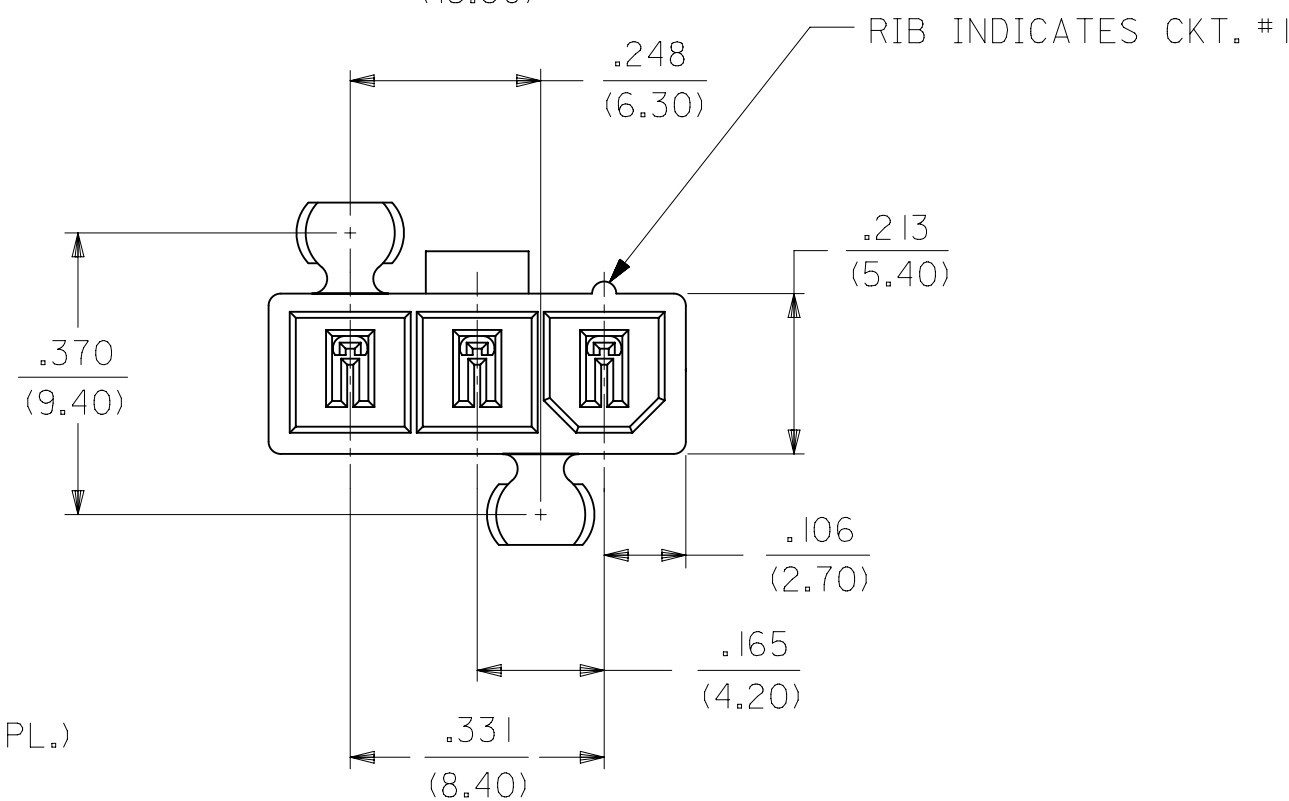
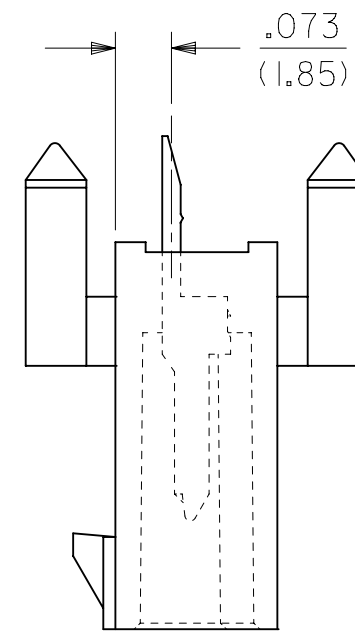
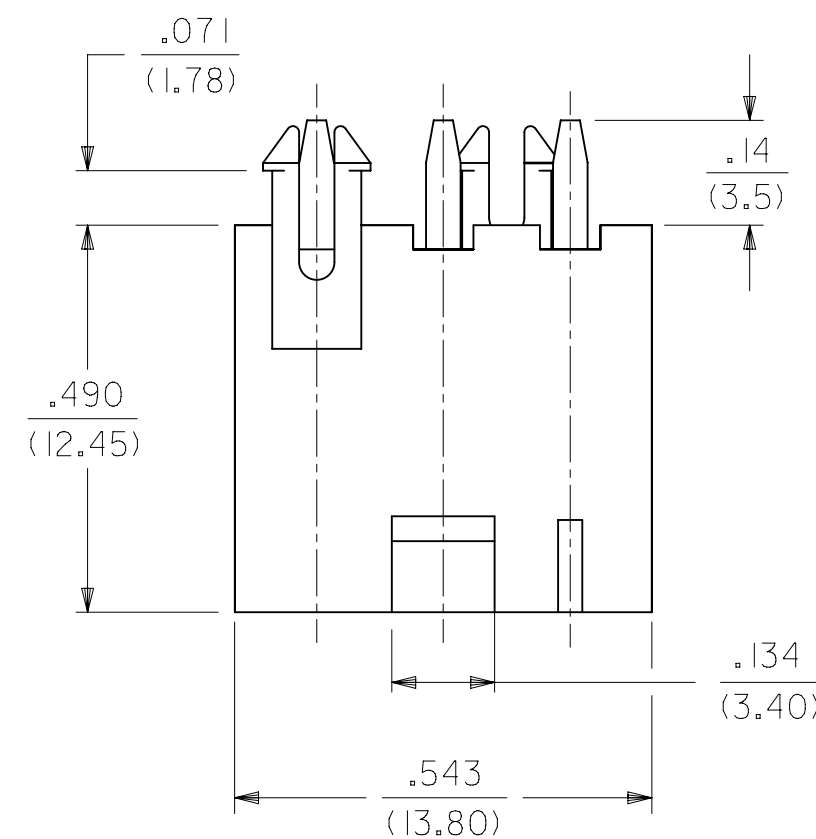
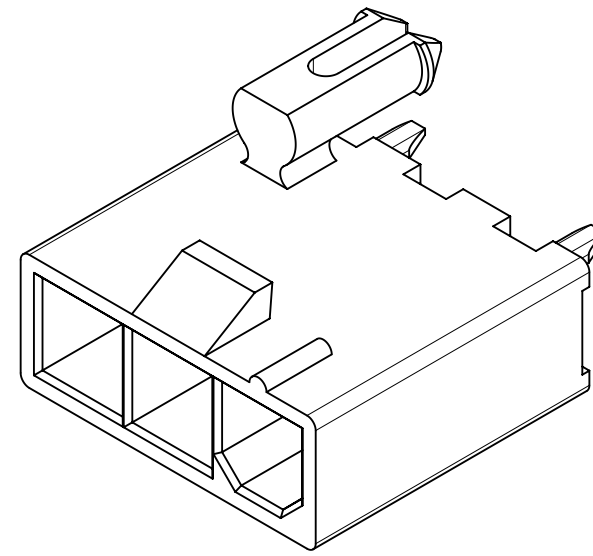
5. PART MATES WITH MINI-FIT JR. RECEPTACLE NO. 5557.

6. ALL DIMENSIONS ARE REFERENCE UNLESS OTHERWISE SPECIFIED.

7. PART IS NOT DESIGNED FOR CURRENT SHARING.

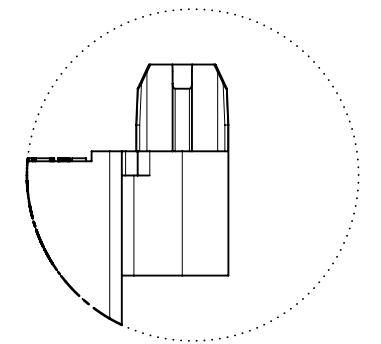
8. PARTS ARE NOT TO BE MATED OR UN-MATED WHILE CIRCUITS ARE LIVE.

9. PART CONFORMS TO CLASS "B" REQUIREMENTS OF COSMETIC SPECIFICATION PS-45499-002.



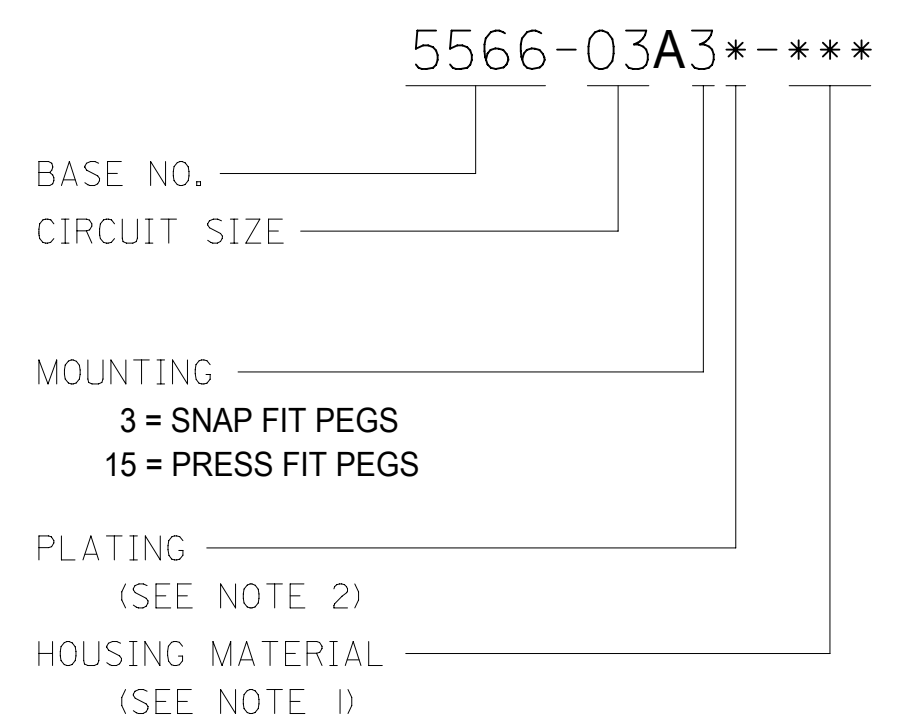
RECOMMENDED HOLE LAYOUT FOR
.070/(1.78) MAX. THICK P. C. BOARD

PART NO.	ENG. NO.	HOUSING MAT'L. (SEE NOTE 1)	PLATING (SEE NOTE 2)
39-30-1039	5566-03A3	"BLANK"	"BLANK"
39-30-2033	-03A3GS2	↑	GS2
39-30-2031	-03A3GS	↑	GS
39-30-5037	-03A3S	↓	S
46999-0792	-03A3MS	"BLANK"	MS
46999-0680	-03A15GS-130	130	GS
46999-0685	-03A15MS-130	130	MS
39-30-2030	-03A3-210	210	"BLANK"
39-30-2034	-03A3GS2-210	↑	GS2
39-30-2032	-03A3GS-210	↑	GS
39-30-5038	-03A3S-210	↓	S
46999-0793	-03A3MS-210	210	MS
46999-0563	5566-03A3MS-400	400	MS



PRESS FIT PEG OPTION

LEGEND



THIS DRAWING CONTAINS INFORMATION THAT IS PROPRIETARY TO MOLEX ELECTRONIC TECHNOLOGIES, LLC AND SHOULD NOT BE USED WITHOUT WRITTEN PERMISSION

DIMENSION UNITS	SCALE	CURRENT REV	DESC: MIGRATED
IN/MM	4:1		
GENERAL TOLERANCES (UNLESS SPECIFIED)		EC NO: 600618	
4 PLACES	±	DRWN: JBAUMERT	2018/07/30
3 PLACES	±	CHK'D: DSTEIER	2018/12/07
2 PLACES	± 0.25	APPR: FSMITH	2019/01/03
1 PLACE	± 0.5	INITIAL REVISION:	
0 PLACES	±	DRWN: GEP	1990/06/07
ANGULAR TOL	± 0.5 °	APPR: FSMITH	2012/09/05
DRAFT WHERE APPLICABLE MUST REMAIN WITHIN DIMENSIONS	THIRD ANGLE PROJECTION	DRAWING	SERIES
		C-SIZE	5566

MINIFIT JR VERT HDR ASSY W/ PEGS SR

PRODUCT CUSTOMER DRAWING

DOCUMENT NUMBER: 55660330-SD | DOC TYPE: PSD | DOC PART: 000 | REVISION: A

MATERIAL NUMBER: SEE TABLE | CUSTOMER: | SHEET NUMBER: 1 OF 1

THIS DRAWING REPLACES SDA-5566-03*3*

X-ON Electronics

Largest Supplier of Electrical and Electronic Components

Click to view similar products for [Headers & Wire Housings](#) category:

Click to view products by [Molex](#) manufacturer:

Other Similar products are found below :

[892-18-020-10-001101](#) [58102-G61-06LF](#) [582553-1](#) [0009485154](#) [009176003701906](#) [0050291907](#) [LY20-4P-DT1-P1E-BR](#) [02.125.8002.8](#)
[609-3404](#) [61062-3](#) [622-0430](#) [622-3653LF](#) [63453-116](#) [636-1030](#) [636-1427](#) [636-3427](#) [636-4007](#) [641938-9](#) [641991-4](#) [644827-2](#) [65817-010LF](#)
[65817-015LF](#) [65863-015LF](#) [66207-023LF](#) [67095-007LF](#) [67601157](#) [68648-049](#) [70.362.1628.0](#) [70-4210](#) [70-4226B](#) [70-4853B](#) [707-5020](#) [707-5028](#) [71.350.2428.0](#) [71918-208LF](#) [71961-016LF](#) [733-134](#) [733-162](#) [754199-000](#) [760-3052](#) [787-8014-00](#) [79531-3000](#) [FCN-360C032-B](#) [FCN-367T-T012/H](#) [FCN-723D010/2](#) [80.063.4001.1](#) [800-90-001-10-001000](#) [800-90-010-10-002000](#) [801-43-002-10-013000](#) [801-43-006-10-002000](#)