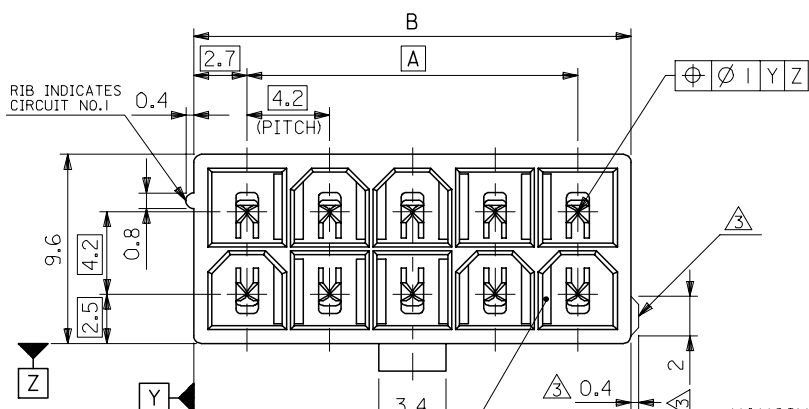
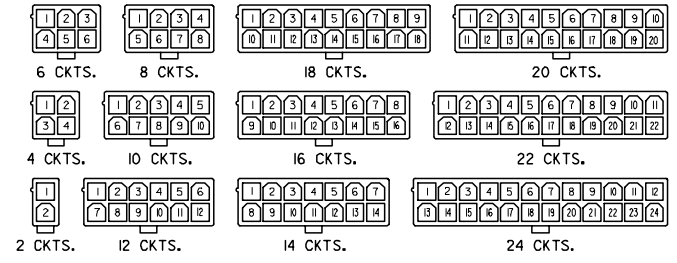


10 9 8 7 6 5 4 3 2 1

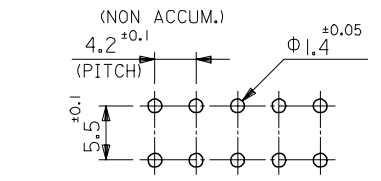
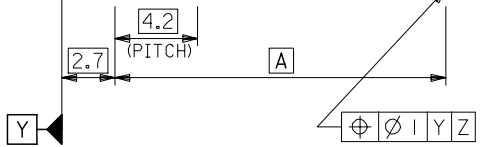
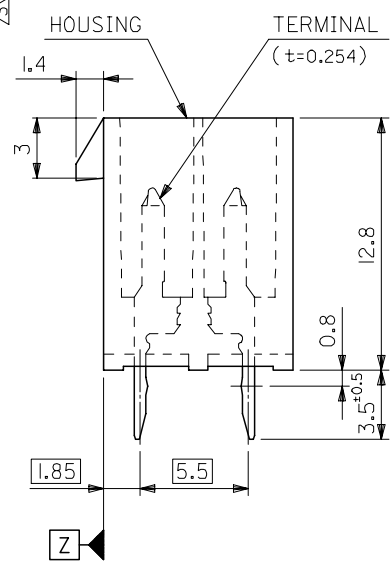
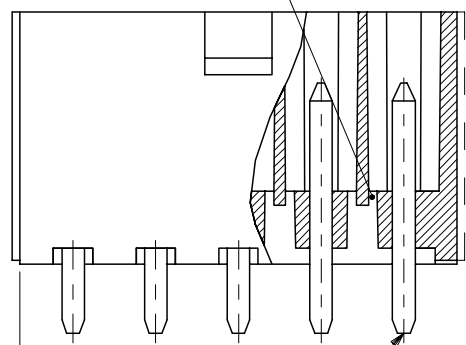


51.6	46.2	24
47.4	42	22
43.2	37.8	20
39	33.6	18
34.8	29.4	16
30.6	25.2	14
26.4	21	12
22.2	16.8	10
18	12.6	8
13.8	8.4	6
9.6	4.2	4
5.4	—	2
DIM. B	DIM. A	CKT. SIZE



CIRCUIT SIZE LAYOUT  
(SCALE 1:1)

DRAIN HOLES  
(OPTION : SEE NOTE 2)



RECOMMENDED P.C. BOARD PATTERN  
(SCALE 2:1)

NOTES

- MATE WITH : 5557 SERIES
- LEGEND  
 BASE NUMBER \_\_\_\_\_  
 CIRCUIT SIZE \_\_\_\_\_  
 ASS'Y TYPE \_\_\_\_\_  
 A : WITHOUT DRAIN HOLES  
 B : WITH DRAIN HOLES  
 TERMINAL MATERIAL \_\_\_\_\_  
 "BLANK" : BRASS  
 PB : PHOSPHOR BRONZE  
 TERMINAL PLATING \_\_\_\_\_  
 "BLANK" : BRIGHT TIN 0.9µm MIN. OVER COPPER 0.5µm MIN. (BRASS)  
 TIN 0.9µm MIN. REFLOW TREATMENT  
 OR BRIGHT TIN 0.9µm MIN. (PHOSPHOR BRONZE)  
 S : BRIGHT TIN 2.54µm MIN. OVER NICKEL 1.27µm MIN.  
 GS : SELECT GOLD 0.76µm MIN. AND SELECT PURE TIN 2.54µm MIN. OVER NICKEL 1.27µm MIN.  
 GS2 : SELECT GOLD 0.38µm MIN. AND SELECT PURE TIN 2.54µm MIN. OVER NICKEL 1.27µm MIN.  
 HOUSING MATERIAL \_\_\_\_\_  
 "BLANK" : NYLON 66, UL94V-2  
 210 : NYLON 66, UL94V-0  
 310 : G.F. 30% PCT, UL94V-0  
 400 : NYLON 66, UL94V-0, BLACK  
 COLOR OR PACKAGING \_\_\_\_\_  
 BL : BLACK RE : RED GR : GRAY  
 BU : BLUE YE : YELLOW  
 TA : TRAY PACKAGING FOR TRAYS (IN US)

EXTERNAL RIB APPEARS ON MX-USA PARTS ONLY. MODEL NO. 5566-N\*\*\*\*-\*\*\*

REVISED EC NO: J2007-2529 DRWNG: SAIT001 2007/03/07 CHKDK: TOYODA 2007/03/09 APPR: NUKITA 2007/03/12	GENERAL TOLERANCES (UNLESS SPECIFIED)		DIMENSION STYLE MM ONLY		SCALE 4:1	DESIGN UNITS METRIC	THIRD ANGLE PROJECTION
	10 UNDER	±0.2	DRAWN BY H. HIRAMOTO	DATE '89/04/03	TITLE <b>NEW MINI FIT CONNECTOR          HEADER HOUSING ASS'Y          -LEAD FREE-</b>		
	10 OVER 30 UNDER	±0.3	CHECKED BY M. FUKUSHIMA	DATE '94/04/20			
	30 OVER	±0.4	APPROVED BY M. FUKUSHIMA	DATE '94/04/20	MOLEX INCORPORATED DOCUMENT NO. SD-5566-002 SHEET NO. 1 OF 6		
ANGULAR	±3 °	MATERIAL NO. SEE TABLE					
DRAFT WHERE APPLICABLE MUST REMAIN WITHIN DIMENSIONS		SIZE A3		THIS DRAWING CONTAINS INFORMATION THAT IS PROPRIETARY TO MOLEX INCORPORATED AND SHOULD NOT BE USED WITHOUT WRITTEN PERMISSION			

	10	9	8	7	6	5	4	3	2	1	
F	NOT TOOLED	5566-24APB-3IO	NOT TOOLED	5566-24AGS2-3IO	NOT TOOLED	5566-24AGS-3IO	NOT TOOLED	5566-24AS-3IO	NOT TOOLED	5566-24A-3IO	24
	↑	↑	↑	↑	↑	↑	↑	↑	↑	↑	22
		-22APB-3IO		-22AGS2-3IO		-22AGS-3IO		-22AS-3IO		-22A-3IO	20
		-20APB-3IO		-20AGS2-3IO		-20AGS-3IO		-20AS-3IO		-20A-3IO	18
		-18APB-3IO		-18AGS2-3IO		-18AGS-3IO		-18AS-3IO		-18A-3IO	16
		-16APB-3IO		-16AGS2-3IO		-16AGS-3IO		-16AS-3IO		-16A-3IO	14
		-14APB-3IO		-14AGS2-3IO		-14AGS-3IO		-14AS-3IO		-14A-3IO	12
		-12APB-3IO		-12AGS2-3IO		-12AGS-3IO		-12AS-3IO		-12A-3IO	10
		-10APB-3IO		-10AGS2-3IO		-10AGS-3IO		-10AS-3IO		-10A-3IO	8
		-08APB-3IO		-08AGS2-3IO		-08AGS-3IO		-08AS-3IO		-08A-3IO	6
	-06APB-3IO		-06AGS2-3IO		-06AGS-3IO		-06AS-3IO		-06A-3IO	4	
	-04APB-3IO		-04AGS2-3IO		-04AGS-3IO		-04AS-3IO		-04A-3IO	2	
E	NOT TOOLED	5566-02APB-3IO	NOT TOOLED	5566-02AGS2-3IO	NOT TOOLED	5566-02AGS-3IO	NOT TOOLED	5566-02AS-3IO	NOT TOOLED	5566-02A-3IO	24
	EDP NO.	ENG. NO.	EDP NO.	ENG. NO.	EDP NO.	ENG. NO.	EDP NO.	ENG. NO.	EDP NO.	ENG. NO.	CKT. SIZE
	5566-NAPB-3IO		5566-NAGS2-3IO		5566-NAGS-3IO		5566-NAS-3IO		5566-NA-3IO		
	39-29-5247	5566-24APB-2IO	39-30-9245	5566-24AGS2-2IO	39-29-6248	5566-24AGS-2IO	39-30-6242	5566-24AS-2IO	39-28-8240	5566-24A-2IO	24
	↑	↑	↑	↑	↑	↑	↑	↑	↑	22	
	-5227	-22APB-2IO	-9225	-22AGS2-2IO	-6228	-22AGS-2IO	-6222	-22AS-2IO	-8220	-22A-2IO	20
	-5207	-20APB-2IO	-9205	-20AGS2-2IO	-6208	-20AGS-2IO	-6202	-20AS-2IO	-8200	-20A-2IO	18
	-5187	-18APB-2IO	-9185	-18AGS2-2IO	-6188	-18AGS-2IO	-6182	-18AS-2IO	-8180	-18A-2IO	16
	-5167	-16APB-2IO	-9165	-16AGS2-2IO	-6168	-16AGS-2IO	-6162	-16AS-2IO	-8160	-16A-2IO	14
	-5147	-14APB-2IO	-9145	-14AGS2-2IO	-6148	-14AGS-2IO	-6142	-14AS-2IO	-8140	-14A-2IO	12
-5127	-12APB-2IO	-9125	-12AGS2-2IO	-6128	-12AGS-2IO	-6122	-12AS-2IO	-8120	-12A-2IO	10	
-5107	-10APB-2IO	-9105	-10AGS2-2IO	-6108	-10AGS-2IO	-6102	-10AS-2IO	-8100	-10A-2IO	8	
-5087	-08APB-2IO	-9085	-08AGS2-2IO	-6088	-08AGS-2IO	-6082	-08AS-2IO	-8080	-08A-2IO	6	
-5067	-06APB-2IO	-9065	-06AGS2-2IO	-6068	-06AGS-2IO	-6062	-06AS-2IO	-8060	-06A-2IO	4	
-5047	-04APB-2IO	-9045	-04AGS2-2IO	-6048	-04AGS-2IO	-6042	-04AS-2IO	-8040	-04A-2IO	2	
39-29-5027	5566-02APB-2IO	39-30-9025	5566-02AGS2-2IO	39-29-6028	5566-02AGS-2IO	39-30-6022	5566-02AS-2IO	39-28-8020	5566-02A-2IO		
EDP NO.	ENG. NO.	EDP NO.	ENG. NO.	EDP NO.	ENG. NO.	EDP NO.	ENG. NO.	EDP NO.	ENG. NO.	CKT. SIZE	
5566-NAPB-2IO		5566-NAGS2-2IO		5566-NAGS-2IO		5566-NAS-2IO		5566-NA-2IO			
39-29-5246	5566-24APB	39-30-9244	5566-24AGS2	39-29-0243	5566-24AGS	39-30-6241	5566-24AS	39-28-1243	5566-24A	24	
↑	↑	↑	↑	↑	↑	↑	↑	↑	↑	22	
-5226	-22APB	-9224	-22AGS2	-0223	-22AGS	-6221	-22AS	-1223	-22A	20	
-5206	-20APB	-9204	-20AGS2	-0203	-20AGS	-6201	-20AS	-1203	-20A	18	
-5186	-18APB	-9184	-18AGS2	-0183	-18AGS	-6181	-18AS	-1183	-18A	16	
-5166	-16APB	-9164	-16AGS2	-0163	-16AGS	-6161	-16AS	-1163	-16A	14	
-5146	-14APB	-9144	-14AGS2	-0143	-14AGS	-6141	-14AS	-1143	-14A	12	
-5126	-12APB	-9124	-12AGS2	-0123	-12AGS	-6121	-12AS	-1123	-12A	10	
-5106	-10APB	-9104	-10AGS2	-0103	-10AGS	-6101	-10AS	-1103	-10A	8	
-5086	-08APB	-9084	-08AGS2	-0083	-08AGS	-6081	-08AS	-1083	-08A	6	
-5066	-06APB	-9064	-06AGS2	-0063	-06AGS	-6061	-06AS	-1063	-06A	4	
-5046	-04APB	-9044	-04AGS2	-0043	-04AGS	-6041	-04AS	-1043	-04A	2	
39-29-5026	5566-02APB	39-30-9024	5566-02AGS2	39-29-0023	5566-02AGS	39-30-6021	5566-02AS	39-28-1023	5566-02A		
EDP NO.	ENG. NO.	EDP NO.	ENG. NO.	EDP NO.	ENG. NO.	EDP NO.	ENG. NO.	EDP NO.	ENG. NO.	CKT. SIZE	
5566-NAPB		5566-NAGS2		5566-NAGS		5566-NAS		5566-NA			

A	REVISED EC NO: J2007-2529 DRW:KSAI T001 2007/03/07 CHKD:KTOYODA 2007/03/09 APPR:NUKITA 2007/03/12	DESCRIPTION	GENERAL TOLERANCES (UNLESS SPECIFIED)		DIMENSION STYLE MM ONLY		SCALE ---	DESIGN UNITS METRIC	THIRD ANGLE PROJECTION	
			10 UNDER	± ---	DRAWN BY H. HIRAMOTO	DATE '89/04/03	TITLE NEW MINI FIT CONNECTOR HEADER HOUSING ASS'Y -LEAD FREE-			
			10 OVER 30 UNDER	± ---	CHECKED BY M. FUKUSHIMA	DATE '94/04/20	MOLEX INCORPORATED			
			30 OVER	± ---	APPROVED BY M. FUKUSHIMA	DATE '94/04/20	DOCUMENT NO. SD-5566-002			
			ANGULAR	± --- °	MATERIAL NO. SEE TABLE		SHEET NO. 2 OF 6			
		DRAFT WHERE APPLICABLE MUST REMAIN WITHIN DIMENSIONS		SIZE A3		THIS DRAWING CONTAINS INFORMATION THAT IS PROPRIETARY TO MOLEX INCORPORATED AND SHOULD NOT BE USED WITHOUT WRITTEN PERMISSION				

	10	9	8	7	6	5	4	3	2	1	
F	NOT TOOLED	5566-24BGS2-3 IO	NOT TOOLED	5566-24BGS-3 IO	NOT TOOLED	5566-24BS-3 IO	NOT TOOLED	5566-24B-3 IO	NOT TOOLED	5566-24APBS-3 IO	24
	↑	↑ -22BGS2-3 IO	↑	↑ -22BGS-3 IO	↑	↑ -22BS-3 IO	↑	↑ -22B-3 IO	↑	↑ -22APBS-3 IO	22
		↑ -20BGS2-3 IO		↑ -20BGS-3 IO		↑ -20BS-3 IO		↑ -20B-3 IO		↑ -20APBS-3 IO	20
		↑ -18BGS2-3 IO		↑ -18BGS-3 IO		↑ -18BS-3 IO		↑ -18B-3 IO		↑ -18APBS-3 IO	18
		↑ -16BGS2-3 IO		↑ -16BGS-3 IO		↑ -16BS-3 IO		↑ -16B-3 IO		↑ -16APBS-3 IO	16
		↑ -14BGS2-3 IO		↑ -14BGS-3 IO		↑ -14BS-3 IO		↑ -14B-3 IO		↑ -14APBS-3 IO	14
		↑ -12BGS2-3 IO		↑ -12BGS-3 IO		↑ -12BS-3 IO		↑ -12B-3 IO		↑ -12APBS-3 IO	12
		↑ -10BGS2-3 IO		↑ -10BGS-3 IO		↑ -10BS-3 IO		↑ -10B-3 IO		↑ -10APBS-3 IO	10
		↑ -08BGS2-3 IO		↑ -08BGS-3 IO		↑ -08BS-3 IO		↑ -08B-3 IO		↑ -08APBS-3 IO	8
		↑ -06BGS2-3 IO		↑ -06BGS-3 IO		↑ -06BS-3 IO		↑ -06B-3 IO		↑ -06APBS-3 IO	6
	↓ -04BGS2-3 IO		↓ -04BGS-3 IO		↓ -04BS-3 IO		↓ -04B-3 IO		↓ -04APBS-3 IO	4	
E	NOT TOOLED	5566-02BGS2-3 IO	NOT TOOLED	5566-02BGS-3 IO	NOT TOOLED	5566-02BS-3 IO	NOT TOOLED	5566-02B-3 IO	NOT TOOLED	5566-02APBS-3 IO	2
	EDP NO.	ENG. NO.	EDP NO.	ENG. NO.	EDP NO.	ENG. NO.	EDP NO.	ENG. NO.	EDP NO.	ENG. NO.	CKT. SIZE
	5566-NBGS2-3 IO		5566-NBGS-3 IO		5566-NBS-3 IO		5566-NB-3 IO		5566-NAPBS-3 IO		
	39-30-9247	5566-24BGS2-2 IO	39-31-0248	5566-24BGS-2 IO	39-31-0242	5566-24BS-2 IO	39-31-0240	5566-24B-2 IO	39-30-6244	5566-24APBS-2 IO	24
	↑ -9227	↑ -22BGS2-2 IO	↑ -0228	↑ -22BGS-2 IO	↑ -0222	↑ -22BS-2 IO	↑ -0220	↑ -22B-2 IO	↑ -6224	↑ -22APBS-2 IO	22
	↑ -9207	↑ -20BGS2-2 IO	↑ -0208	↑ -20BGS-2 IO	↑ -0202	↑ -20BS-2 IO	↑ -0200	↑ -20B-2 IO	↑ -6204	↑ -20APBS-2 IO	20
	↑ -9187	↑ -18BGS2-2 IO	↑ -0188	↑ -18BGS-2 IO	↑ -0182	↑ -18BS-2 IO	↑ -0180	↑ -18B-2 IO	↑ -6184	↑ -18APBS-2 IO	18
	↑ -9167	↑ -16BGS2-2 IO	↑ -0168	↑ -16BGS-2 IO	↑ -0162	↑ -16BS-2 IO	↑ -0160	↑ -16B-2 IO	↑ -6164	↑ -16APBS-2 IO	16
	↑ -9147	↑ -14BGS2-2 IO	↑ -0148	↑ -14BGS-2 IO	↑ -0142	↑ -14BS-2 IO	↑ -0140	↑ -14B-2 IO	↑ -6144	↑ -14APBS-2 IO	14
	↑ -9127	↑ -12BGS2-2 IO	↑ -0128	↑ -12BGS-2 IO	↑ -0122	↑ -12BS-2 IO	↑ -0120	↑ -12B-2 IO	↑ -6124	↑ -12APBS-2 IO	12
↑ -9107	↑ -10BGS2-2 IO	↑ -0108	↑ -10BGS-2 IO	↑ -0102	↑ -10BS-2 IO	↑ -0100	↑ -10B-2 IO	↑ -6104	↑ -10APBS-2 IO	10	
↑ -9087	↑ -08BGS2-2 IO	↑ -0088	↑ -08BGS-2 IO	↑ -0082	↑ -08BS-2 IO	↑ -0080	↑ -08B-2 IO	↑ -6084	↑ -08APBS-2 IO	8	
↑ -9067	↑ -06BGS2-2 IO	↑ -0068	↑ -06BGS-2 IO	↑ -0062	↑ -06BS-2 IO	↑ -0060	↑ -06B-2 IO	↑ -6064	↑ -06APBS-2 IO	6	
↓ -9047	↓ -04BGS2-2 IO	↓ -0048	↓ -04BGS-2 IO	↓ -0042	↓ -04BS-2 IO	↓ -0040	↓ -04B-2 IO	↓ -6044	↓ -04APBS-2 IO	4	
39-30-9027	5566-02BGS2-2 IO	39-31-0028	5566-02BGS-2 IO	39-31-0022	5566-02BS-2 IO	39-31-0020	5566-02B-2 IO	39-30-6024	5566-02APBS-2 IO	2	
EDP NO.	ENG. NO.	EDP NO.	ENG. NO.	EDP NO.	ENG. NO.	EDP NO.	ENG. NO.	EDP NO.	ENG. NO.	CKT. SIZE	
5566-NBGS2-2 IO		5566-NBGS-2 IO		5566-NBS-2 IO		5566-NB-2 IO		5566-NAPBS-2 IO			
39-30-9246	5566-24BGS2	39-31-0247	5566-24BGS	39-31-0241	5566-24BS	39-29-3246	5566-24B	39-30-6243	5566-24APBS	24	
↑ -9226	↑ -22BGS2	↑ -0227	↑ -22BGS	↑ -0221	↑ -22BS	↑ -3226	↑ -22B	↑ -6223	↑ -22APBS	22	
↑ -9206	↑ -20BGS2	↑ -0207	↑ -20BGS	↑ -0201	↑ -20BS	↑ -3206	↑ -20B	↑ -6203	↑ -20APBS	20	
↑ -9186	↑ -18BGS2	↑ -0187	↑ -18BGS	↑ -0181	↑ -18BS	↑ -3186	↑ -18B	↑ -6183	↑ -18APBS	18	
↑ -9166	↑ -16BGS2	↑ -0164	↑ -16BGS	↑ -0161	↑ -16BS	↑ -3166	↑ -16B	↑ -6163	↑ -16APBS	16	
↑ -9146	↑ -14BGS2	↑ -0147	↑ -14BGS	↑ -0141	↑ -14BS	↑ -3146	↑ -14B	↑ -6143	↑ -14APBS	14	
↑ -9126	↑ -12BGS2	↑ -0127	↑ -12BGS	↑ -0121	↑ -12BS	↑ -3126	↑ -12B	↑ -6123	↑ -12APBS	12	
↑ -9106	↑ -10BGS2	↑ -0107	↑ -10BGS	↑ -0101	↑ -10BS	↑ -3106	↑ -10B	↑ -6103	↑ -10APBS	10	
↑ -9086	↑ -08BGS2	↑ -0087	↑ -08BGS	↑ -0081	↑ -08BS	↑ -3086	↑ -08B	↑ -6083	↑ -08APBS	8	
↑ -9066	↑ -06BGS2	↑ -0067	↑ -06BGS	↑ -0061	↑ -06BS	↑ -3066	↑ -06B	↑ -6063	↑ -06APBS	6	
↓ -9046	↓ -04BGS2	↓ -0047	↓ -04BGS	↓ -0041	↓ -04BS	↓ -3046	↓ -04B	↓ -6043	↓ -04APBS	4	
39-30-9026	5566-02BGS2	39-31-0027	5566-02BGS	39-31-0021	5566-02BS	39-29-3026	5566-02B	39-30-6023	5566-02APBS	2	
EDP NO.	ENG. NO.	EDP NO.	ENG. NO.	EDP NO.	ENG. NO.	EDP NO.	ENG. NO.	EDP NO.	ENG. NO.	CKT. SIZE	
5566-NBGS2		5566-NBGS		5566-NBS		5566-NB		5566-NAPBS			

REVISED EC NO: J2007-2529 DRW:KSAI T001 2007/03/07 CHK:KATOY00A 2007/03/09 APP:NUKITA 2007/03/12	GENERAL TOLERANCES (UNLESS SPECIFIED)		DIMENSION STYLE MM ONLY		SCALE ---	DESIGN UNITS METRIC	THIRD ANGLE PROJECTION	
	10 UNDER	± ---	DRAWN BY H. HIRAMOTO	DATE '89/04/03	TITLE NEW MINI FIT CONNECTOR HEADER HOUSING ASS'Y -LEAD FREE-			
	10 OVER 30 UNDER	± ---	CHECKED BY M. FUKUSHIMA	DATE '94/04/20	MOLEX INCORPORATED			
	30 OVER	± ---	APPROVED BY M. FUKUSHIMA	DATE '94/04/20	DOCUMENT NO. SD-5566-002		SHEET NO. 3 OF 6	
	ANGULAR	± --- °	MATERIAL NO. SEE TABLE					
DRAFT WHERE APPLICABLE MUST REMAIN WITHIN DIMENSIONS		SIZE A3		THIS DRAWING CONTAINS INFORMATION THAT IS PROPRIETARY TO MOLEX INCORPORATED AND SHOULD NOT BE USED WITHOUT WRITTEN PERMISSION				



10 9 8 7 6 5 4 3 2 1

F

F

E

E

D

D

C

C


B

B

A

A

									24
									22
									20
									18
					39-33-3169	5566-16A-210-BU	39-33-3168	5566-16A-210-BL	16
									14
									12
			39-33-4100	5566-10A-210-RE	39-33-3109	5566-10A-210-BU	39-33-3108	5566-10A-210-BL	10
							39-33-3088	5566-08A-210-BL	8
									6
			39-33-4040	5566-04A-210-RE	39-33-3049	5566-04A-210-BU			4
39-34-5023	5566-02A-210-YE	39-33-4020	5566-02A-210-RE	39-33-3029	5566-02A-210-BU	39-33-3028	5566-02A-210-BL		2
EDP. NO.	ENG. NO.	EDP. NO.	ENG. NO.	EDP. NO.	ENG. NO.	EDP. NO.	ENG. NO.		CKT. SIZE
5566-NA-210-YE		5566-NA-210-RE		5566-NA-210-BU		5566-NA-210-BL			
									24
									22
									20
									18
39-33-3145	5566-14A-GR			39-33-3166	5566-16A-RE	39-33-3164	5566-16A-BU		16
				39-33-3126	5566-12A-RE	39-33-3124	5566-12A-BU	39-33-3143	5566-14A-BL
				39-33-3106	5566-10A-RE	39-33-3104	5566-10A-BU		14
									12
		39-33-3087	5566-08A-YE	39-33-3086	5566-08A-RE	39-33-3084	5566-08A-BU	39-33-3083	5566-08A-BL
		39-33-3067	5566-06A-YE	39-33-3066	5566-06A-RE	39-33-3064	5566-06A-BU	39-33-3063	5566-06A-BL
				39-33-3046	5566-04A-RE	39-33-3044	5566-04A-BU	39-33-3043	5566-04A-BL
		39-33-3027	5566-02A-YE	39-33-3026	5566-02A-RE	39-33-3024	5566-02A-BU	39-33-3023	5566-02A-BL
EDP. NO.	ENG. NO.	EDP. NO.	ENG. NO.	EDP. NO.	ENG. NO.	EDP. NO.	ENG. NO.	EDP. NO.	ENG. NO.
5566-NA-GR		5566-NA-YE		5566-NA-RE		5566-NA-BU		5566-NA-BL	
									CKT. SIZE

REVISED EC NO: J2007-2529 DRW:KSAIT001 2007/03/07 CHK:KTOY00A 2007/03/09 APPR:NUKITA 2007/03/12	GENERAL TOLERANCES (UNLESS SPECIFIED)	DIMENSION STYLE MM ONLY	SCALE ---	DESIGN UNITS METRIC	THIRD ANGLE PROJECTION
	10 UNDER ± ---	DRAWN BY H.HIRAMOTO	DATE '89/04/03	TITLE NEW MINI FIT CONNECTOR HEADER HOUSING ASS'Y -LEAD FREE-	
	10 OVER 30 UNDER ± ---	CHECKED BY M.FUKUSHIMA	DATE '94/04/20	 MOLEX INCORPORATED	
	30 OVER ± ---	APPROVED BY M.FUKUSHIMA	DATE '94/04/20	MATERIAL NO.	DOCUMENT NO. SD-5566-002
	ANGULAR ± --- °	DRAFT WHERE APPLICABLE MUST REMAIN WITHIN DIMENSIONS		SIZE A3	SHEET NO. 5 OF 6

F

E

D

C

B

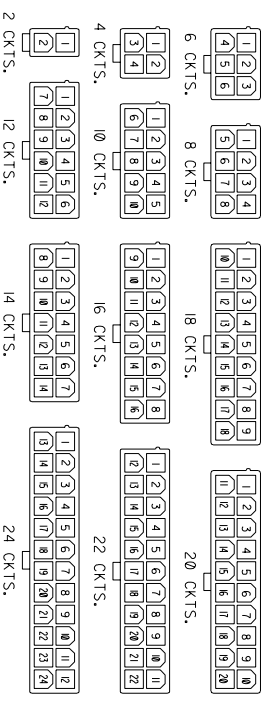
A

39-54-0245	5566-24BGS-210-TA	39-54-0244	5566-24B-210-TA	39-54-0243	5566-24BGS-TA	39-54-0242	5566-24B-TA	24
▲ -0225	▲ -22BGS-210-TA	▲ -0224	▲ -22B-210-TA	▲ -0223	▲ -22BGS-TA	▲ -0222	▲ -22B-TA	22
-0205	-20BGS-210-TA	-0204	-20B-210-TA	-0203	-20BGS-TA	-0202	-20B-TA	20
-0185	-18BGS-210-TA	-0184	-18B-210-TA	-0183	-18BGS-TA	-0182	-18B-TA	18
-0165	-16BGS-210-TA	-0164	-16B-210-TA	-0163	-16BGS-TA	-0162	-16B-TA	16
-0145	-14BGS-210-TA	-0144	-14B-210-TA	-0143	-14BGS-TA	-0142	-14B-TA	14
-0125	-12BGS-210-TA	-0124	-12B-210-TA	-0123	-12BGS-TA	-0122	-12B-TA	12
-0105	-10BGS-210-TA	-0104	-10B-210-TA	-0103	-10BGS-TA	-0102	-10B-TA	10
-0085	-08BGS-210-TA	-0084	-08B-210-TA	-0083	-08BGS-TA	-0082	-08B-TA	8
-0065	-06BGS-210-TA	-0064	-06B-210-TA	-0063	-06BGS-TA	-0062	-06B-TA	6
▼ -0045	▼ -04BGS-210-TA	▼ -0044	▼ -04B-210-TA	▼ -0043	▼ -04BGS-TA	▼ -0042	▼ -04B-TA	4
39-54-0025	5566-02BGS-210-TA	39-54-0024	5566-02B-210-TA	39-54-0023	5566-02BGS-TA	39-54-0022	5566-02B-TA	2
EDP NO.	ENG. NO.	EDP NO.	ENG. NO.	EDP NO.	ENG. NO.	EDP NO.	ENG. NO.	CKT. SIZE
5566-NBGS-210-TA		5566-NB-210-TA		5566-NBGS-TA		5566-NB-TA		

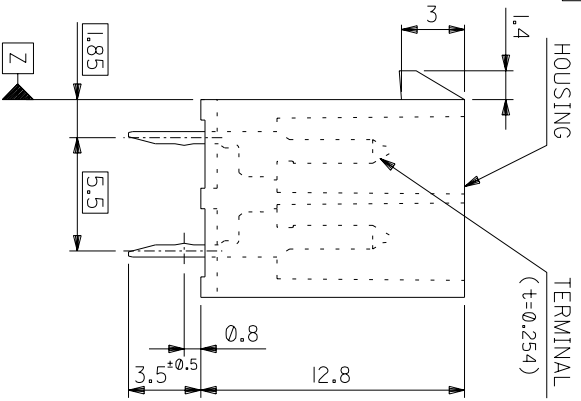
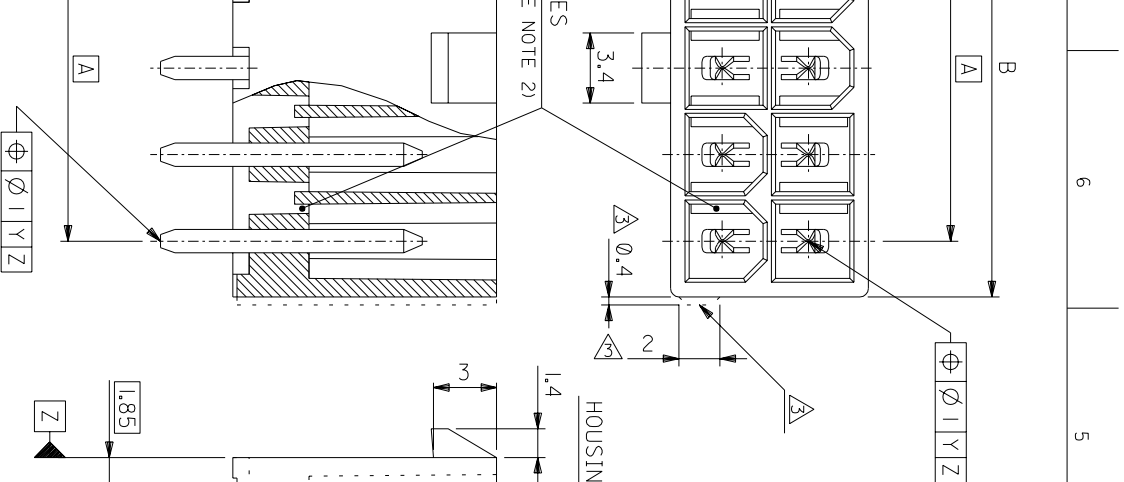
39-54-0241	5566-24AGS-210-TA	39-54-0240	5566-24AGS-TA	39-53-9249	5566-24A-210-TA	39-53-9248	5566-24A-TA	24
▲ -0221	▲ -22AGS-210-TA	▲ -0220	▲ -22AGS-TA	▲ -9229	▲ -22A-210-TA	▲ -9228	▲ -22A-TA	22
-0201	-20AGS-210-TA	-0200	-20AGS-TA	-9209	-20A-210-TA	-9208	-20A-TA	20
-0181	-18AGS-210-TA	-0180	-18AGS-TA	-9189	-18A-210-TA	-9188	-18A-TA	18
-0161	-16AGS-210-TA	-0160	-16AGS-TA	-9169	-16A-210-TA	-9168	-16A-TA	16
-0141	-14AGS-210-TA	-0140	-14AGS-TA	-9149	-14A-210-TA	-9148	-14A-TA	14
-0121	-12AGS-210-TA	-0120	-12AGS-TA	-9129	-12A-210-TA	-9128	-12A-TA	12
-0101	-10AGS-210-TA	-0100	-10AGS-TA	-9109	-10A-210-TA	-9108	-10A-TA	10
-0081	-08AGS-210-TA	-0080	-08AGS-TA	-9089	-08A-210-TA	-9088	-08A-TA	8
-0061	-06AGS-210-TA	-0060	-06AGS-TA	-9069	-06A-210-TA	-9068	-06A-TA	6
▼ -0041	▼ -04AGS-210-TA	▼ -0040	▼ -04AGS-TA	▼ -9049	▼ -04A-210-TA	▼ -9048	▼ -04A-TA	4
39-54-0021	5566-02AGS-210-TA	39-54-0020	5566-02AGS-TA	39-53-9029	5566-02A-210-TA	39-53-9028	5566-02A-TA	2
EDP NO.	ENG. NO.	EDP NO.	ENG. NO.	EDP NO.	ENG. NO.	EDP NO.	ENG. NO.	CKT. SIZE
5566-NAGS-210-TA		5566-NAGS-TA		5566-NA-210-TA		5566-NA-TA		

REVISED EC NO: J2007-2529 DRWNG SAI T001 2007/03/07 CHKDK: TOYODA 2007/03/09 APPR: NUKITA 2007/03/12	GENERAL TOLERANCES (UNLESS SPECIFIED)		DIMENSION STYLE MM ONLY		SCALE ---	DESIGN UNITS METRIC	THIRD ANGLE PROJECTION	
	10 UNDER	± ---	DRAWN BY DATE H. HIRAMOTO '89/04/03		TITLE NEW MINI FIT CONNECTOR HEADER HOUSING ASS'Y -LEAD FREE-			
	10 OVER 30 UNDER	± ---	CHECKED BY DATE M. FUKUSHIMA '94/04/20		MOLEX INCORPORATED			
	30 OVER	± ---	APPROVED BY DATE M. FUKUSHIMA '94/04/20		DOCUMENT NO. SD-5566-002		SHEET NO. 6 OF 6	
ANGULAR ± --- °		DRAFT WHERE APPLICABLE MUST REMAIN WITHIN DIMENSIONS		MATERIAL NO. SEE TABLE				
5566-N*****		MODEL NO. L		SIZE A3		THIS DRAWING CONTAINS INFORMATION THAT IS PROPRIETARY TO MOLEX INCORPORATED AND SHOULD NOT BE USED WITHOUT WRITTEN PERMISSION		

51.6	46.2	24
47.4	42	22
43.2	37.8	20
39	33.6	18
34.8	29.4	16
30.6	25.2	14
26.4	21	12
22.2	16.8	10
18	12.6	8
13.8	8.4	6
9.6	4.2	4
5.4	—	2
DIM. B	DIM. A	CKT. SIZE



CIRCUIT SIZE LAYOUT  
(SCALE 1:1)



NOTES

1. MATE WITH : 5557 SERIES  
2. LEGEND

BASE NUMBER \_\_\_\_\_ 5566 - N \* \* \* \* \*  
CIRCUIT SIZE \_\_\_\_\_  
ASS'Y TYPE \_\_\_\_\_

A : WITHOUT DRAIN HOLES  
B : WITH DRAIN HOLES

TERMINAL MATERIAL \_\_\_\_\_  
"BLANK" : BRASS  
PB : PHOSPHOR BRONZE

TERMINAL PLATING \_\_\_\_\_  
"BLANK" : BRIGHT TIN 0.9μm MIN. OVER COPPER 0.5μm MIN. (BRASS)  
TIN 0.9μm MIN. REFLOW TREATMENT  
OR BRIGHT TIN 0.9μm MIN. (PHOSPHOR BRONZE)

S : BRIGHT TIN 2.54μm MIN. OVER NICKEL 1.27μm MIN.  
GS : SELECT GOLD 0.76μm MIN. AND SELECT PURE TIN 2.54μm MIN.  
OVER NICKEL 1.27μm MIN.  
GS2 : SELECT GOLD 0.38μm MIN. AND SELECT PURE TIN 2.54μm MIN.  
OVER NICKEL 1.27μm MIN.

HOUSING MATERIAL \_\_\_\_\_  
"BLANK" : NYLON 66, UL94V-2  
210 : NYLON 66, UL94V-0  
310 : G.F. 30% PCT, UL94V-0  
400 : NYLON 66, UL94V-0, BLACK

EXTERNAL RIB APPEARS ON MX-USA PARTS ONLY.

5566-N****	J	REVISED (J2004-4416)	M.N.K.J	94/5/25	材料	SEE NOTE 2	REVISE ONLY ON CAD SYSTEM
MODEL NO.	H	REVISED (J40308)	H.H.M.F	94/4/19	仕上げ	SEE NOTE 2	
角度 ANGLE	G	REVISED (J10190)	H.H.Y.Y	93/3/7	適用電線範囲	—	TITLE 名称
30 以上	F	REVISED (J00638)	H.H.Y.Y	90/6/8	標準外径	—	NEW MINI FIT CONNECTOR
30 以下	E	REVISED (J90681)	H.H.Y.Y	89/8/25	INS. RANGE	—	HEADER HOUSING ASS'Y
未済	D	REVISED & REDRAWN (J90237)	H.H.Y.Y	89/4/3	尺度	—	-LEAD FREE-
10 以下		DR. CHK.	DATE	94/4/20	APP'D BY	M.FUKUSHIMA	DWG. NO.
10 以下		REVISION RECORD			SCALE	4 : 1	SD-5566-N****
GENERAL TOLERANCES							SHEET 1 OF 4
							REV





F	TOOLED	5566-24BGS-310	NOT TOOLED	5566-24BS-310	NOT TOOLED	5566-24B-310	NOT TOOLED	5566-24APBS-310	24
	▲	-22BGS-310	▲	-22BS-310	▲	-22B-310	▲	-22APBS-310	22
		-20BGS-310		-20BS-310		-20B-310		-20APBS-310	20
		-18BGS-310		-18BS-310		-18B-310		-18APBS-310	18
		-16BGS-310		-16BS-310		-16B-310		-16APBS-310	16
		-14BGS-310		-14BS-310		-14B-310		-14APBS-310	14
		-12BGS-310		-12BS-310		-12B-310		-12APBS-310	12
		-10BGS-310		-10BS-310		-10B-310		-10APBS-310	10
		-08BGS-310		-08BS-310		-08B-310		-08APBS-310	8
		-06BGS-310		-06BS-310		-06B-310		-06APBS-310	6
	▼	-04BGS-310	▼	-04BS-310	▼	-04B-310	▼	-04APBS-310	4
EDP NO.	5566-02BGS-310	NOT TOOLED	5566-02BS-310	NOT TOOLED	5566-02B-310	NOT TOOLED	5566-02APBS-310	2	
ENG. NO.	ENG. NO.	EDP NO.	ENG. NO.	EDP NO.	ENG. NO.	EDP NO.	ENG. NO.	CT. SIZE	
E	5566-NBGS-310		5566-NBS-310		5566-NB-310		5566-NAPBS-310		
	9-31-0248	5566-24BGS-210	39-31-0242	5566-24BS-210	39-31-0240	5566-24B-210	39-30-6244	5566-24APBS-210	24
	▲	-22BGS-210	▲	-22BS-210	▲	-22B-210	▲	-22APBS-210	22
		-20BGS-210		-20BS-210		-20B-210		-20APBS-210	20
		-18BGS-210		-18BS-210		-18B-210		-18APBS-210	18
		-16BGS-210		-16BS-210		-16B-210		-16APBS-210	16
		-14BGS-210		-14BS-210		-14B-210		-14APBS-210	14
		-12BGS-210		-12BS-210		-12B-210		-12APBS-210	12
		-10BGS-210		-10BS-210		-10B-210		-10APBS-210	10
		-08BGS-210		-08BS-210		-08B-210		-08APBS-210	8
	-06BGS-210		-06BS-210		-06B-210		-06APBS-210	6	
	▼	-04BGS-210	▼	-04BS-210	▼	-04B-210	▼	-04APBS-210	4
EDP NO.	5566-02BGS-210	39-31-0022	5566-02BS-210	39-31-0020	5566-02B-210	39-30-6024	5566-02APBS-210	2	
ENG. NO.	ENG. NO.	EDP NO.	ENG. NO.	EDP NO.	ENG. NO.	EDP NO.	ENG. NO.	CT. SIZE	
D	5566-NBGS-210		5566-NBS-210		5566-NB-210		5566-NAPBS-210		
	9-31-0247	5566-24BGS	39-31-0241	5566-24BS	39-29-3246	5566-24B	39-30-6243	5566-24APBS	24
	▲	-22BGS	▲	-22BS	▲	-22B	▲	-22APBS	22
		-20BGS		-20BS		-20B		-20APBS	20
		-18BGS		-18BS		-18B		-18APBS	18
		-16BGS		-16BS		-16B		-16APBS	16
		-14BGS		-14BS		-14B		-14APBS	14
		-12BGS		-12BS		-12B		-12APBS	12
		-10BGS		-10BS		-10B		-10APBS	10
		-08BGS		-08BS		-08B		-08APBS	8
	-06BGS		-06BS		-06B		-06APBS	6	
	▼	-04BGS	▼	-04BS	▼	-04B	▼	-04APBS	4
EDP NO.	5566-02BGS	39-31-0021	5566-02BS	39-29-3026	5566-02B	39-30-6023	5566-02APBS	2	
ENG. NO.	ENG. NO.	EDP NO.	ENG. NO.	EDP NO.	ENG. NO.	EDP NO.	ENG. NO.	CT. SIZE	
C	5566-NBGS-110		5566-NBS-110		5566-NB-110		5566-NAPBS-110		
	9-31-0247	5566-24BGS	39-31-0241	5566-24BS	39-29-3246	5566-24B	39-30-6243	5566-24APBS	24
	▲	-22BGS	▲	-22BS	▲	-22B	▲	-22APBS	22
		-20BGS		-20BS		-20B		-20APBS	20
		-18BGS		-18BS		-18B		-18APBS	18
		-16BGS		-16BS		-16B		-16APBS	16
		-14BGS		-14BS		-14B		-14APBS	14
		-12BGS		-12BS		-12B		-12APBS	12
		-10BGS		-10BS		-10B		-10APBS	10
		-08BGS		-08BS		-08B		-08APBS	8
	-06BGS		-06BS		-06B		-06APBS	6	
	▼	-04BGS	▼	-04BS	▼	-04B	▼	-04APBS	4
EDP NO.	5566-02BGS	39-31-0021	5566-02BS	39-29-3026	5566-02B	39-30-6023	5566-02APBS	2	
ENG. NO.	ENG. NO.	EDP NO.	ENG. NO.	EDP NO.	ENG. NO.	EDP NO.	ENG. NO.	CT. SIZE	
B	5566-NBGS		5566-NBS		5566-NB		5566-NAPBS		
	9-31-0027	5566-02BGS	39-31-0021	5566-02BS	39-29-3026	5566-02B	39-30-6023	5566-02APBS	2
	EDP NO.	ENG. NO.	EDP NO.	ENG. NO.	EDP NO.	ENG. NO.	EDP NO.	ENG. NO.	CT. SIZE
	A	5566-NBGS		5566-NBS		5566-NB		5566-NAPBS	
		5566-N****		5566-N****		5566-N****		5566-N****	
		MODEL NO.	J	SEE SHEET 10F 4	M,N,J	94/5/5		SEE NOTE 2	
		角度 ANGLE	H	SEE SHEET 10F 4	H,H,M,F	94/4/9	仕上げ FINISH	SEE NOTE 2	
			G	SEE SHEET 10F 4	H,H,Y	91/3/7	適用電線範囲 WIRE RANGE	—	
			F	SEE SHEET 10F 4	H,H,Y	90/6/8	密着外径 INS. RANGE	—	
			E	SEE SHEET 10F 4	H,H,Y	89/8/5	—	—	
		D	SEE SHEET 10F 4	H,H,Y	89/4/3	—	—		
		C	SEE SHEET 10F 4	H,H,Y	89/4/3	—	—		
		B	SEE SHEET 10F 4	H,H,Y	89/4/3	—	—		
EDP NO.	5566-N****	J	SEE SHEET 10F 4	M,N,J	94/5/5		SEE NOTE 2		
ENG. NO.	ENG. NO.	EDP NO.	ENG. NO.	EDP NO.	ENG. NO.	EDP NO.	ENG. NO.	CT. SIZE	

THIS DRAWING CONTAINS INFORMATION THAT IS PROPRIETARY TO MOLEX/JAPAN AND SHOULD NOT BE USED WITHOUT WRITTEN PERMISSION  
 本図面は日本モリス(株)の所有する情報を含むもので 当社の許可なく複製を禁止する。

MOLEX JAPAN CO.,LTD.  
 日本モリス株式会社

REVISE ONLY ON CAD SYSTEM

TITLE 名称  
 NEW MINI FIT CONNECTOR  
 HEADER HOUSING ASS'Y  
 -LEAD FREE-

DWG. NO. SHEET 3 OF 4 REV J  
 SD-5566-N\*\*\*\*

材料 MATERIAL  
 材料 5566-NB  
 WIRE RANGE

加工 5566-NB-210  
 FINISH

検査 5566-NB-210  
 INS. RANGE

承認 5566-NB-210  
 DATE

変更内容 5566-NB-210  
 REVISION RECORD

記号 5566-NB-210  
 LTR

一般公差 5566-NB-210  
 TOLERANCES

10 UNDER ±0.25  
 10 UNDER ±0.2

30 UNDER ±0.3  
 10 UNDER ±0.25

角度 ANGLE 3.0°



## X-ON Electronics

Largest Supplier of Electrical and Electronic Components

*Click to view similar products for [Headers & Wire Housings](#) category:*

*Click to view products by [Molex](#) manufacturer:*

Other Similar products are found below :

[892-18-020-10-001101](#) [58102-G61-06LF](#) [582553-1](#) [0009485154](#) [009176003701906](#) [0050291907](#) [LY20-4P-DT1-P1E-BR](#) [02.125.8002.8](#)  
[609-3404](#) [61062-3](#) [622-0430](#) [622-3653LF](#) [63453-116](#) [636-1030](#) [636-1427](#) [636-3427](#) [636-4007](#) [641938-9](#) [641991-4](#) [644827-2](#) [65817-010LF](#)  
[65817-015LF](#) [65863-015LF](#) [66207-023LF](#) [67095-007LF](#) [67601157](#) [68648-049](#) [70.362.1628.0](#) [70-4210](#) [70-4226B](#) [70-4853B](#) [707-5020](#) [707-5028](#) [71.350.2428.0](#) [71918-208LF](#) [71961-016LF](#) [733-134](#) [733-162](#) [754199-000](#) [760-3052](#) [787-8014-00](#) [79531-3000](#) [FCN-360C032-B](#) [FCN-367T-T012/H](#) [FCN-723D010/2](#) [80.063.4001.1](#) [800-90-001-10-001000](#) [800-90-010-10-002000](#) [801-43-002-10-013000](#) [801-43-006-10-002000](#)