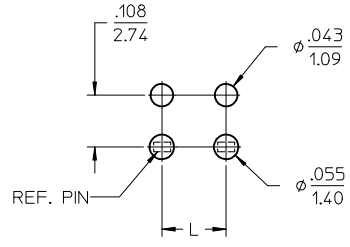
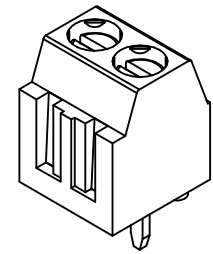
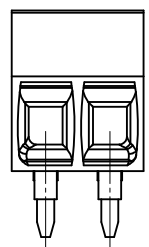
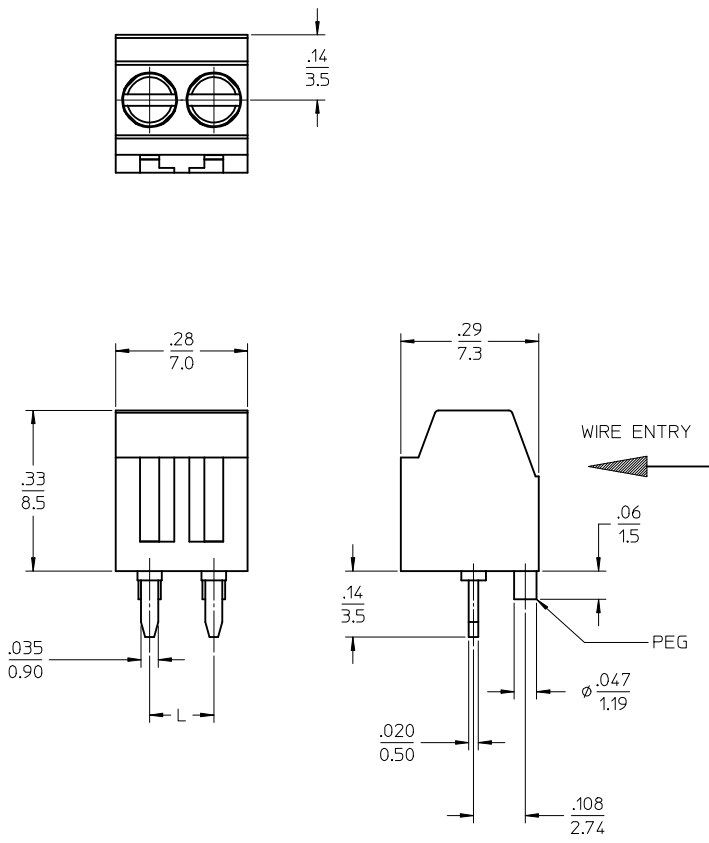


CIRCUITS	MATERIAL NO.	ENGINEERING NO.	L	COLOR
2	393572002	39537-2002	.138 (3.50)	BLACK
2	393573002	39537-3002	.138 (3.50)	GREEN
2	393574002	39537-4002	.138 (3.50)	BLUE



PTH PATTERN



NOTES:

1. MATERIALS:

- A. HOUSING MATERIAL: NYLON-UL94V-0
- B. COLOR: SEE CHART
- C. SCREW: M2
- MATERIAL: COPPER ALLOY-NICKEL PLATED
- D. CLAMP MATERIAL: COPPER ALLOY-NICKEL PLATED
- E. PIN: COPPER ALLOY-TIN PLATED

2. ELECTRICAL:

- A. MAX. VOLTAGE: 300
- B. MAX. CURRENT: 17.5 AMPS

3. WIRE RANGE: 30 TO 16 AWG

4. WIRE STRIP LENGTH: .20 (5.0mm)

5. RECOMMENDED TORQUE (MAX): 2.21 IN-LBS (0.25 Nm)

6. PCB THICKNESS: .094 (2.39mm)

7. AGENCY APPROVAL: UL LISTED, FILE E48521

8. DIMS SHOWN ARE FOR REFERENCE ONLY

ADDED GREEN & BLUE P/NS EC NO: IPG2014-0682 DRWRNSTONE 2013/10/15 CHKD:RUPERT 2013/10/17 APPR:JMURPHY 2013/11/23	QUALITY SYMBOLS ▽=0 ▽=0	GENERAL TOLERANCES (UNLESS SPECIFIED)		DIMENSION STYLE	SCALE	DESIGN UNITS	THIRD ANGLE PROJECTION	
				IN/MM	5:1	METRIC		
				DRAWN BY	DATE	TITLE TERMINAL BLOCK .138 (3.5MM) PITCH WITH PEGS molex DOCUMENT NO. SD-39357-003 SHEET NO. 1 OF 1		
				CHECKED BY	DATE			
		APPROVED BY	DATE					
		MATERIAL NO.						
		DRAFT WHERE APPLICABLE MUST REMAIN WITHIN DIMENSIONS		SIZE	THIS DRAWING CONTAINS INFORMATION THAT IS PROPRIETARY TO MOLEX INCORPORATED AND SHOULD NOT BE USED WITHOUT WRITTEN PERMISSION			

X-ON Electronics

Largest Supplier of Electrical and Electronic Components

Click to view similar products for [Fixed Terminal Blocks](#) category:

Click to view products by [Molex](#) manufacturer:

Other Similar products are found below :

[MBE-1512](#) [MBE-154](#) [MBE-156](#) [MBES-153](#) [MBES-156](#) [MH-2512](#) [MHE-132](#) [MHE-163](#) [MI-254 \(35\)](#) [MI-272](#) [880507](#) [MPT-275](#)
[15602-04-08-21](#) [BA311TU](#) [BA411SU](#) [MV-152](#) [MV-252-D](#) [MV-253/NCNOC](#) [MV-254-D](#) [MV-255](#) [MV-462](#) [MV-493](#) [MVE-252](#) [MVE-253](#)
[MVE-273](#) [MVEB-153](#) [1700096](#) [1705142](#) [1745195](#) [1760594](#) [1776118-2](#) [1-796689-8](#) [1-796692-6](#) [20020314-C121B01LF](#) [CB2-12](#)
[KP03215000J0G](#) [KP04215000J0G](#) [S451](#) [282802-2](#) [29.007](#) [29.116](#) [30.103](#) [30.106](#) [30.252](#) [30.503](#) [30.608](#) [30.753](#) [30.755](#) [30.756](#) [30.853](#)