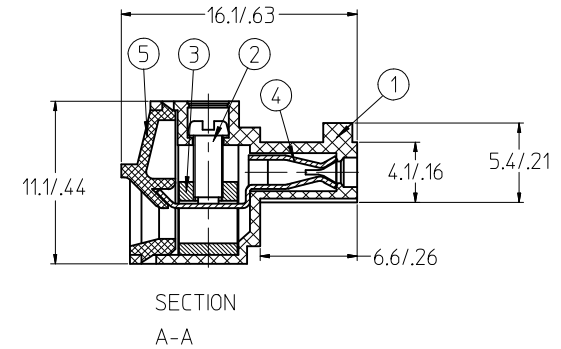
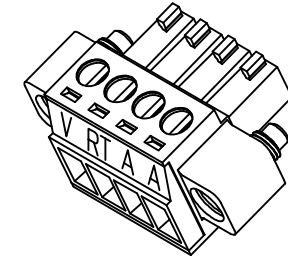
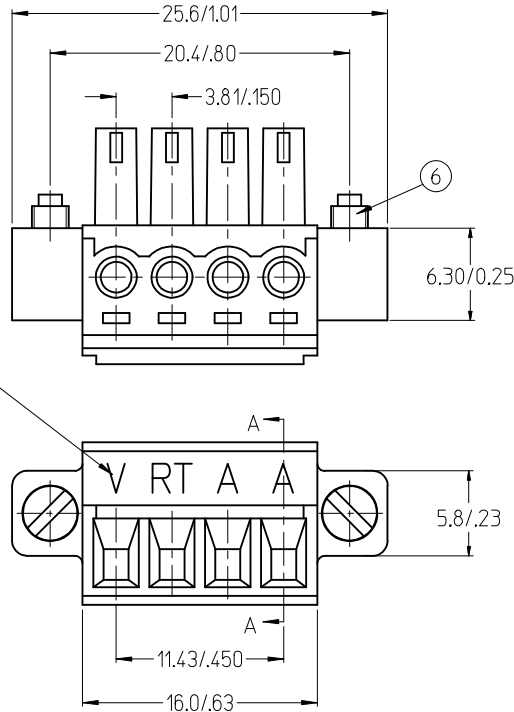
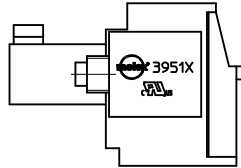


NO OF CIRCUITS	PART NO	PLATING	PLATING THICKNESS
4	395190007	TIN*	100 MICRO-IN
4	395190008	GOLD*	30 MICRO-IN

*79 MICRO-IN NICKEL UNDERPLATE

IMPRINT AS SHOWN. CHARACTERS TO BE CENTERED ON EACH CIRCUIT. FONT: ROMAN D FONT HEIGHT: 1.5/06



SPECIFICATIONS:

- MATERIAL:
 - BODY: PA66 (UL94, V-0)
 - SCREW: ZINC PLATED STEEL
 - CAGE: NICKEL PLATED BRASS
 - TERMINAL MATERIAL: PHOSPHOR BRONZE
 - COVER: PA66 (UL94, V-0)
 - SCREW: ZINC PLATED STEEL
- WIRE RANGE: 24-16 AWG
- MAX TORQUE: 2 In-Lbs.
- ELECTRICAL RATING: 300V, 8A.
- WIRE STRIP LENGTH: 6.5mm.
- OPERATING TEMPERATURE: -40°C TO +105°C.
- INSULATION RESISTANCE: DC 500V, 500 MEGOHMS.
- DIELECTRIC WITHSTAND: AC 2500V FOR 1 MINUTE.
- BREAKDOWN VOLTAGE: 4000V.
- CONTACT RESISTANCE: <10 MILLIOHMS.
- ASSEMBLY IS ROHS COMPLIANT

TOLERANCES			
MM	TOL	INCH	TOL
0-6	±0.25	0-.24	±.010
>6-30	±0.40	.24-1.18	±.016
>30-120	±0.50	1.18-4.76	±.020
>120	±0.80	>4.76	±.031

ADDED PRT NO. CHRT EC NO: IFC2017-0596 DR: MNRKIVADAR 2017/06/01 CHKD: APPR: BRUPERT 2017/07/21 REV C2	QUALITY SYMBOLS ▽=0 ▽=0	GENERAL TOLERANCES (UNLESS SPECIFIED) mm INCH 4 PLACES ±--- ±--- 3 PLACES ±--- ±--- 2 PLACES ±--- ±--- 1 PLACE ±--- ±--- ANGULAR ±---°	DIMENSION STYLE MM/IN DRAWN BY DATE C. YORK 2007/04/16 CHECKED BY DATE J. MACNEIL 2007/04/16 APPROVED BY DATE J. MACNEIL 2007/04/16	SCALE DESIGN UNITS INCH THIRD ANGLE PROJECTION	TITLE 3.81MM, EURO PLUG, RIGHT ANGLE, MTG ENDS, SP. IMPRINT V,RT,A,A MOLEX INCORPORATED	MATERIAL NO. SEE TABLE	DOCUMENT NO. SD-39519-001	SHEET NO. 1 OF 1
	DRAFT WHERE APPLICABLE MUST REMAIN WITHIN DIMENSIONS		THIS DRAWING CONTAINS INFORMATION THAT IS PROPRIETARY TO MOLEX INCORPORATED AND SHOULD NOT BE USED WITHOUT WRITTEN PERMISSION					

X-ON Electronics

Largest Supplier of Electrical and Electronic Components

Click to view similar products for [Pluggable Terminal Blocks](#) category:

Click to view products by [Molex](#) manufacturer:

Other Similar products are found below :

[57.510.0053](#) [MC 1.5/ 6-ST-3.5 GY AU](#) [734-104](#) [734-302](#) [8-141-P](#) [8426620000](#) [860505](#) [860810](#) [GBPACX-12](#) [93.731.4953.0](#) [PV05-5,08-K](#)
[PVP02-5,00](#) [PVP03-3,50](#) [PVP04-3,50](#) [PVS02-5,00](#) [1-1986160-3](#) [1377680000](#) [1531000000](#) [1546228-5](#) [ELFH16150](#) [ELFP03110](#)
[ELFP10210](#) [ELFT06250](#) [ELVP03100](#) [1700101](#) [1700410](#) [1700425](#) [1702246](#) [1705229](#) [1710175](#) [1714537](#) [1717806](#) [1719600](#) [1728941](#)
[1734692](#) [1734795](#) [1736036](#) [1740194](#) [1740291](#) [1740628](#) [1740990](#) [1746952](#) [1750207](#) [1752441](#) [1752865](#) [1754115](#) [1754144](#) [1756913](#)
[1760051](#) [1760336](#)