

PLEASE CHECK WWW.MOLEX.COM FOR LATEST PART INFORMATION

Part Number: [0395216010](#)
Status: **Active**
Overview: Eurostyle Terminal Blocks
Description: 5.00mm Pitch Eurostyle Vertical PCB Header, Green Housing, 10 Circuits

Documents:

| | |
|--------------------------------|--|
| 3D Model | Product Specification PS-39500-001-001 (PDF) |
| Drawing (PDF) | RoHS Certificate of Compliance (PDF) |
| 3D Model (PDF) | |

Agency Certification

UL E48521

General

| | |
|----------------|---|
| Product Family | Terminal Blocks |
| Series | 39521 |
| Application | N/A |
| Component Type | PCB Header |
| Overview | Eurostyle Terminal Blocks |
| Product Name | ESE, Eurostyle Pluggable |
| Type | Euro Block |
| UPC | 822350425254 |

Physical

| | |
|-------------------------------|----------------|
| Circuits (Loaded) | 10 |
| Entry Angle | N/A |
| Lock to Mating Part | Yes |
| Number of Rows | 1 |
| Orientation | Vertical |
| PC Tail Length | 3.90mm |
| PCB Thickness - Recommended | 3.20mm |
| Panel Mount | No |
| Pitch - Mating Interface | 5.00mm |
| Pitch - Termination Interface | 5.00mm |
| Polarized to Mating Part | Yes |
| Shrouded | Closed Ends |
| Stackable | No |
| Temperature Range - Operating | -40° to +105°C |
| Wire Size AWG | N/A |

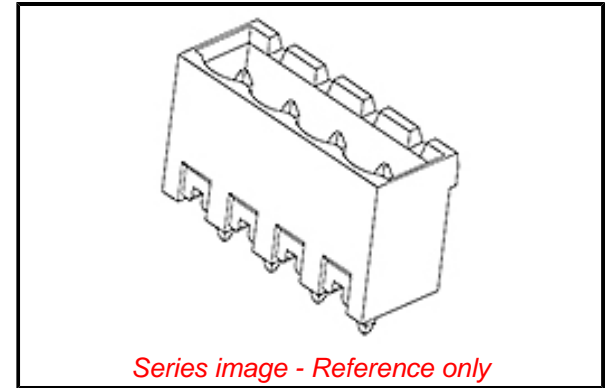
Electrical

| | |
|-------------------------------|-------|
| Current - Maximum per Contact | 15.0A |
| Voltage - Maximum | 300V |

Material Info

Reference - Drawing Numbers

| | |
|-----------------------|------------------|
| Product Specification | PS-39500-001-001 |
| Sales Drawing | SD-39521-002-001 |



EU ELV

Not Relevant

EU RoHS

Not Reviewed

REACH SVHC

Not Reviewed

Halogen-Free

Status

Not Reviewed

For more information, please visit [Contact US](#)

China ROHS

Not Relevant

ELV

Not Relevant

RoHS Phthalates

Not Reviewed

Search Parts in this Series

[39521](#) Series

Mates With

[39520](#) Horizontal Plug, [39523](#) Vertical Plug,
Most 5.00mm Pitch Industry Standard Plugs

X-ON Electronics

Largest Supplier of Electrical and Electronic Components

Click to view similar products for [Pluggable Terminal Blocks](#) category:

Click to view products by [Molex](#) manufacturer:

Other Similar products are found below :

[57.510.0053](#) [MC 1.5/ 6-ST-3.5 GY AU](#) [734-104](#) [734-302](#) [8-141-P](#) [8426620000](#) [860505](#) [860810](#) [GBPACX-12](#) [93.731.4953.0](#) [PV05-5,08-K](#)
[PVP04-3,50](#) [PVS02-5,00](#) [1-1986160-3](#) [1377680000](#) [1531000000](#) [1546228-5](#) [ELFH16150](#) [ELFP03110](#) [ELFP10210](#) [ELFT06250](#)
[ELVP03100](#) [1700410](#) [1700425](#) [1702246](#) [1717806](#) [1719600](#) [1734692](#) [1734795](#) [1740291](#) [1752441](#) [1752865](#) [1754144](#) [1760051](#) [1760336](#)
[1777701](#) [1783410](#) [1800227](#) [1801080](#) [1836888](#) [1848818](#) [1849079](#) [1860870](#) [1876327](#) [1896417](#) [1903096](#) [19346](#) [1946309](#) [1970579](#) [1973592](#)