

PLEASE CHECK WWW.MOLEX.COM FOR LATEST PART INFORMATION

Part Number: [0395224004](#)
Status: **Active**
Overview: Eurostyle Terminal Blocks
Description: 5.00mm Pitch Eurostyle Horizontal PCB Header, Surface Mount Compatible, 4 Circuits

Documents:

| | |
|--------------------------------|--------------------------------------------------------------|
| 3D Model | Product Specification PS-39500-001-001 (PDF) |
| 3D Model (PDF) | RoHS Certificate of Compliance (PDF) |
| Drawing (PDF) | |

Agency Certification

UL E48521

General

| | |
|----------------|-------------------------------------------|
| Product Family | Terminal Blocks |
| Series | 39522 |
| Application | N/A |
| Component Type | PCB Header |
| Overview | Eurostyle Terminal Blocks |
| Product Name | ESE, Eurostyle Pluggable |
| Type | Euro Block |
| UPC | 822350444330 |

Physical

| | |
|--------------------------------|----------------|
| Circuits (Loaded) | 4 |
| Entry Angle | N/A |
| Lock to Mating Part | Yes |
| Number of Rows | 1 |
| Orientation | Horizontal |
| PC Tail Length | 3.90mm |
| PCB Thickness - Recommended | 3.20mm |
| Panel Mount | No |
| Pitch - Mating Interface | 5.00mm |
| Pitch - Termination Interface | 5.00mm |
| Polarized to Mating Part | Yes |
| Shrouded | Closed Ends |
| Stackable | No |
| Surface Mount Compatible (SMC) | Yes |
| Temperature Range - Operating | -40° to +140°C |
| Wire Size AWG | N/A |

Electrical

| | |
|-------------------------------|-------|
| Current - Maximum per Contact | 15.0A |
| Voltage - Maximum | 300V |

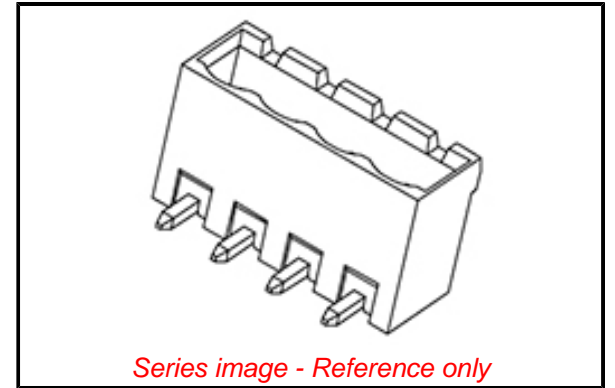
Solder Process Data

Lead-free Process Capability N/A

Material Info

Reference - Drawing Numbers

| | |
|-----------------------|------------------|
| Product Specification | PS-39500-001-001 |
| Sales Drawing | SD-39522-001-001 |



EU ELV

Not Relevant

EU RoHS

Not Reviewed

REACH SVHC

Not Contained Per -
ED/30/2017 (7 July
2017)

Halogen-Free

Status

Low-Halogen

For more information, please visit [Contact US](#)

China ROHS

ELV

RoHS Phthalates

China RoHS

Green Image

Not Relevant

Not Contained

Search Parts in this Series

[39522](#) Series

Mates With

[39520](#) Horizontal Plug, [39523](#) Vertical Plug,
Most 5.00mm Pitch Industry Standard Plugs

X-ON Electronics

Largest Supplier of Electrical and Electronic Components

Click to view similar products for [Pluggable Terminal Blocks](#) category:

Click to view products by [Molex](#) manufacturer:

Other Similar products are found below :

[57.510.0053](#) [MC 1.5/ 6-ST-3.5 GY AU](#) [734-104](#) [734-302](#) [8-141-P](#) [8426620000](#) [860505](#) [860810](#) [GBPACX-12](#) [93.731.4953.0](#) [PV05-5,08-K](#)
[PVP02-5,00](#) [PVP03-3,50](#) [PVP04-3,50](#) [PVS02-5,00](#) [1-1986160-3](#) [1377680000](#) [1531000000](#) [1546228-5](#) [ELFH16150](#) [ELFP03110](#)
[ELFP10210](#) [ELFT06250](#) [ELVP03100](#) [1700101](#) [1700410](#) [1700425](#) [1702246](#) [1705229](#) [1710175](#) [1714537](#) [1717806](#) [1719600](#) [1728941](#)
[1734692](#) [1734795](#) [1736036](#) [1740194](#) [1740291](#) [1740628](#) [1740990](#) [1746952](#) [1750207](#) [1752441](#) [1752865](#) [1754115](#) [1754144](#) [1756913](#)
[1760051](#) [1760336](#)