

**PLEASE CHECK WWW.MOLEX.COM FOR LATEST PART INFORMATION**

**Part Number:** [0395430206](#)  
**Status:** **Active**  
**Overview:** Eurostyle Terminal Blocks  
**Description:** 5.00mm Pitch Eurostyle 45° Wire Entry Fixed Mount PCB Terminal Block, with Screw Pressure Clamp, 6 Circuits

**Documents:**

[3D Model](#) [Drawing \(PDF\)](#)  
[3D Model \(PDF\)](#) [RoHS Certificate of Compliance \(PDF\)](#)

**Agency Certification**

UL E48521

**General**

Product Family Terminal Blocks  
 Series [39543](#)  
 Application N/A  
 Component Type One Piece  
 Overview [Eurostyle Terminal Blocks](#)  
 Product Name ESE, Eurostyle Fixed Mount  
 Type Euro Block  
 UPC 822350536813

**Physical**

Circuits (Loaded) 6  
 Entry Angle 45° Angle  
 Lock to Mating Part None  
 Number of Rows 1  
 Orientation 45° Angle  
 PC Tail Length 3.00mm  
 PCB Thickness - Recommended 2.00mm  
 Panel Mount No  
 Pitch - Mating Interface 5.00mm  
 Pitch - Termination Interface 5.00mm  
 Polarized to Mating Part N/A  
 Stackable No  
 Temperature Range - Operating -40° to +105°C  
 Wire Size AWG 14, 16, 18, 20, 22, 24  
 Wire Size mm<sup>2</sup> 0.20-2.08

**Electrical**

Current - Maximum per Contact 10.0A  
 Voltage - Maximum 300V

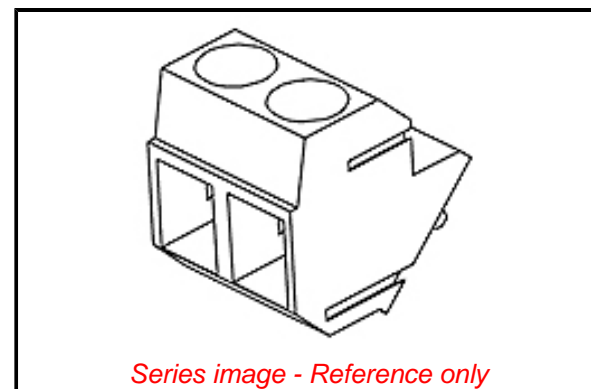
**Solder Process Data**

Duration at Max. Process Temperature (seconds) 005  
 Lead-free Process Capability WAVE  
 Max. Cycles at Max. Process Temperature 135  
 Process Temperature max. C 260

**Material Info**

**Reference - Drawing Numbers**

Sales Drawing SD-39543-001-001



*Series image - Reference only*

**EU ELV**

**Not Relevant**

**EU RoHS**

**Compliant**

**REACH SVHC**

Not Reviewed

**Halogen-Free**

**Status**

**Not Reviewed**

For more information, please visit [Contact US](#)

China ROHS

ELV

RoHS Phthalates

**China RoHS**

Green Image

Not Relevant

Not Contained

**Search Parts in this Series**

[39543 Series](#)

**PLEASE CHECK [WWW.MOLEX.COM](http://WWW.MOLEX.COM) FOR LATEST PART INFORMATION**

## X-ON Electronics

Largest Supplier of Electrical and Electronic Components

*Click to view similar products for [Fixed Terminal Blocks](#) category:*

*Click to view products by [Molex](#) manufacturer:*

Other Similar products are found below :

[MBE-1512](#) [MBE-154](#) [MBE-156](#) [MBES-153](#) [MBES-156](#) [MH-2512](#) [MHE-132](#) [MHE-163](#) [MI-254 \(35\)](#) [MI-272](#) [880507](#) [MPT-275](#)  
[15602-04-08-21](#) [BA311TU](#) [BA411SU](#) [MV-152](#) [MV-252-D](#) [MV-253/NCNOC](#) [MV-254-D](#) [MV-255](#) [MV-462](#) [MV-493](#) [MVE-252](#) [MVE-253](#)  
[MVE-273](#) [MVEB-153](#) [1700096](#) [1705142](#) [1712417](#) [1713020](#) [1713088](#) [1745195](#) [1760594](#) [1776118-2](#) [1790852](#) [1-796689-8](#) [1-796692-6](#)  
[1800001](#) [1995279](#) [20020314-C121B01LF](#) [CB2-12](#) [KP03215000J0G](#) [KP04215000J0G](#) [S451](#) [282802-2](#) [29.007](#) [29.116](#) [30.103](#) [30.106](#)  
[30.252](#)