

**PLEASE CHECK WWW.MOLEX.COM FOR LATEST PART INFORMATION**

**Part Number:** [0398800306](#)  
**Status:** **Active**  
**Overview:** [Eurostyle Terminal Blocks](#)  
**Description:** 5.08mm Pitch Beau Eurostyle Low Profile, Fixed Block, Modular, 6 Circuits

**Documents:**

[3D Model](#) [3D Model \(PDF\)](#)  
[Drawing \(PDF\)](#) [RoHS Certificate of Compliance \(PDF\)](#)

**Agency Certification**

UL E48521

**General**

Product Family Terminal Blocks  
 Series [39880](#)  
 Application N/A  
 Component Type One Piece  
 Overview [Eurostyle Terminal Blocks](#)  
 Product Name Eurostyle Fixed Mount  
 Type Euro Block  
 UPC 800756363042

**Physical**

Circuits (Loaded) 6  
 Entry Angle Horizontal  
 Flammability 94V-0  
 Lock to Mating Part None  
 Net Weight 5.340/g  
 Number of Rows 1  
 Orientation Vertical  
 PC Tail Length 3.50mm  
 PCB Retention None  
 PCB Thickness - Recommended 2.40mm  
 Panel Mount No  
 Pitch - Mating Interface 5.08mm  
 Pitch - Termination Interface 5.08mm  
 Polarized to Mating Part N/A  
 Shrouded Fully  
 Stackable Yes  
 Temperature Range - Operating 105°C  
 Wire Size AWG 16, 18, 20, 22, 24, 26, 28, 30  
 Wire Size mm<sup>2</sup> 0.20-1.50

**Electrical**

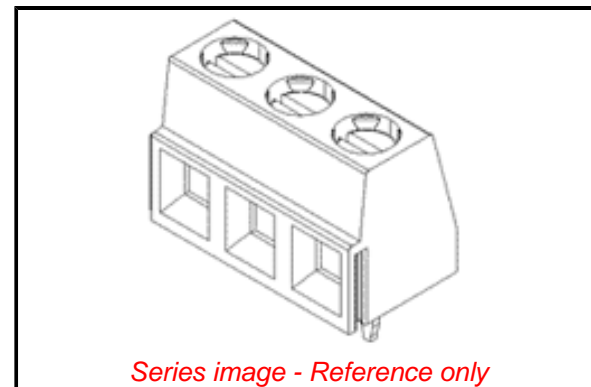
Current - Maximum per Contact 13.5A  
 Voltage - Maximum 300V

**Material Info**

Engineering Number MX-MSB06005-0N

**Reference - Drawing Numbers**

Sales Drawing SD-39880-003-001



**EU ELV**

**Not Relevant**

**EU RoHS**

**Compliant with Exemption 6(c)**

**REACH SVHC**

Contained Per - D(2021)4569-DC (8 July 2021)

Lead

**Halogen-Free**

**Status**

**Low-Halogen**

For more information, please visit [Contact US](#)

China ROHS

50 Image

ELV

Not Relevant

RoHS Phthalates

Not Contained

**Search Parts in this Series**

[39880 Series](#)

## X-ON Electronics

Largest Supplier of Electrical and Electronic Components

*Click to view similar products for [Fixed Terminal Blocks](#) category:*

*Click to view products by [Molex](#) manufacturer:*

Other Similar products are found below :

[MBE-1512](#) [MBE-154](#) [MBE-156](#) [MBES-153](#) [MBES-156](#) [MH-2512](#) [MHE-132](#) [MHE-163](#) [MI-254 \(35\)](#) [MI-272](#) [880507](#) [MPT-275](#)  
[15602-04-08-21](#) [BA311TU](#) [BA411SU](#) [MV-152](#) [MV-252-D](#) [MV-253/NCNOC](#) [MV-254-D](#) [MV-255](#) [MV-462](#) [MV-493](#) [MVE-252](#) [MVE-253](#)  
[MVE-273](#) [MVEB-153](#) [1700096](#) [1705142](#) [1745195](#) [1760594](#) [1776118-2](#) [1-796689-8](#) [1-796692-6](#) [20020314-C121B01LF](#) [CB2-12](#)  
[KP03215000J0G](#) [KP04215000J0G](#) [S451](#) [282802-2](#) [29.007](#) [29.116](#) [30.103](#) [30.106](#) [30.252](#) [30.503](#) [30.608](#) [30.753](#) [30.755](#) [30.756](#) [30.853](#)