

**PLEASE CHECK WWW.MOLEX.COM FOR LATEST PART INFORMATION**

**Part Number:** [0398900310](#)  
**Status:** **Active**  
**Overview:** [Eurostyle Terminal Blocks](#)  
**Description:** 5.00mm Pitch Beau Eurostyle Low Profile, Single Level Modular Terminal Block, 10 Circuits

**Documents:**

|                               |  |
|-------------------------------|--|
| <a href="#">3D Model</a>      | <a href="#">3D Model (PDF)</a>                       |
| <a href="#">Drawing (PDF)</a> | <a href="#">RoHS Certificate of Compliance (PDF)</a> |

**Agency Certification**

UL E48521

**General**

|                |   |
|----------------|---|
| Product Family | Terminal Blocks                           |
| Series         | <a href="#">39890</a>                     |
| Application    | N/A                                       |
| Component Type | One Piece                                 |
| Overview       | <a href="#">Eurostyle Terminal Blocks</a> |
| Product Name   | Eurostyle Fixed Mount                     |
| Type           | Euro Block                                |
| UPC            | 756054873397                              |

**Physical**

|                                |                                |
|--------------------------------|--------------------------------|
| Circuits (Loaded)              | 10                             |
| Circuits (maximum)             | 10                             |
| Entry Angle                    | Horizontal                     |
| Flammability                   | 94V-0                          |
| Lock to Mating Part            | None                           |
| Net Weight                     | 8.900/g                        |
| Number of Rows                 | 1                              |
| Orientation                    | Vertical                       |
| PC Tail Length                 | 3.51mm                         |
| PCB Retention                  | None                           |
| PCB Thickness - Recommended    | 2.40mm                         |
| Panel Mount                    | No                             |
| Pitch - Mating Interface       | 5.00mm                         |
| Pitch - Termination Interface  | 5.00mm                         |
| Polarized to Mating Part       | No                             |
| Shrouded                       | Fully                          |
| Stackable                      | Yes                            |
| Surface Mount Compatible (SMC) | No                             |
| Temperature Range - Operating  | 105°C                          |
| Wire Size AWG                  | 16, 18, 20, 22, 24, 26, 28, 30 |
| Wire Size mm <sup>2</sup>      | 0.20-1.50                      |

**Electrical**

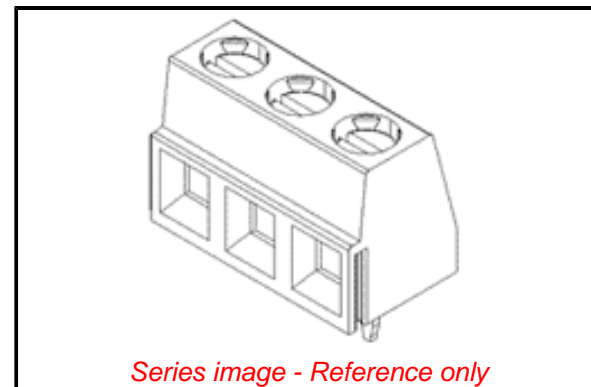
|                               |       |
|-------------------------------|-------|
| Current - Maximum per Contact | 13.5A |
| Voltage - Maximum             | 300V  |

**Material Info**

Engineering Number MX-MSB10001-0N

**Reference - Drawing Numbers**

Sales Drawing SD-39890-003-001



**EU ELV**

**Not Relevant**

**EU RoHS**

**Compliant with Exemption 6(c)**

**REACH SVHC**

Not Contained Per - D(2021)4569-DC (8 July 2021)

**Halogen-Free**

**Status**

**Low-Halogen**

For more information, please visit [Contact US](#)

China ROHS

50 Image

ELV

Not Relevant

RoHS Phthalates

Not Contained

**Search Parts in this Series**

[39890 Series](#)

This document was generated on 01/24/2022

**PLEASE CHECK [WWW.MOLEX.COM](http://WWW.MOLEX.COM) FOR LATEST PART INFORMATION**

## X-ON Electronics

Largest Supplier of Electrical and Electronic Components

*Click to view similar products for [Fixed Terminal Blocks](#) category:*

*Click to view products by [Molex](#) manufacturer:*

Other Similar products are found below :

[MBE-1512](#) [MBE-154](#) [MBE-156](#) [MBES-153](#) [MBES-156](#) [MH-2512](#) [MHE-132](#) [MHE-163](#) [MI-254 \(35\)](#) [MI-272](#) [880507](#) [MPT-275](#)  
[15602-04-08-21](#) [BA311TU](#) [BA411SU](#) [MV-152](#) [MV-252-D](#) [MV-253/NCNOC](#) [MV-254-D](#) [MV-255](#) [MV-462](#) [MV-493](#) [MVE-252](#) [MVE-253](#)  
[MVE-273](#) [MVEB-153](#) [1700096](#) [1705142](#) [1745195](#) [1760594](#) [1776118-2](#) [1-796689-8](#) [1-796692-6](#) [20020314-C121B01LF](#) [CB2-12](#)  
[KP03215000J0G](#) [KP04215000J0G](#) [S451](#) [282802-2](#) [29.007](#) [29.116](#) [30.103](#) [30.106](#) [30.252](#) [30.503](#) [30.608](#) [30.753](#) [30.755](#) [30.756](#) [30.853](#)