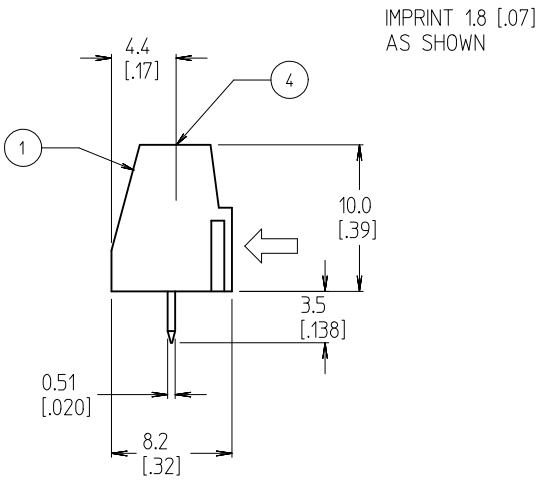
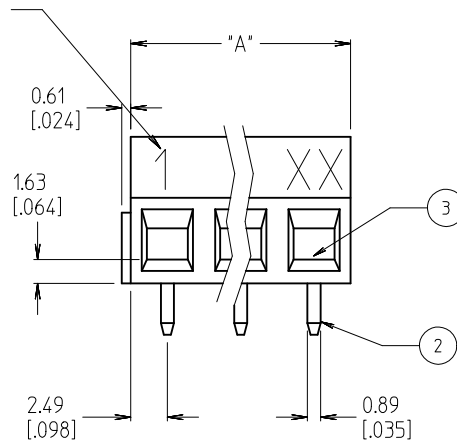


3 CIRCUIT SHOWN



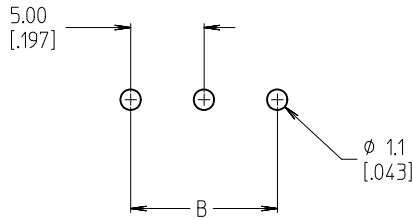
IMPRINT 1.8 [0.07]  
AS SHOWN



MATERIAL NO. 10A, BLACK	MATERIAL NO. (GREEN)	MATERIAL NO. (BLACK)	NO. OF CIRCUITS "XX"	DIM. "A"	DIM. "B"
398990024	398904302	398900302	02	10.0 [0.39]	5.00 [1.97]
398990026	398904303	398900303	03	15.0 [0.59]	10.00 [3.94]
398990027	398904304	398900304	04	20.0 [0.79]	15.00 [5.91]
398990028	398904305	398900305	05	25.0 [0.98]	20.00 [7.87]
	398904306	398900306	06	30.0 [1.18]	25.00 [9.84]
	398904307	398900307	07	35.0 [1.38]	30.00 [1.181]
	398904308	398900308	08	40.0 [1.57]	35.00 [1.378]
	398904309	398900309	09	45.0 [1.77]	40.00 [1.575]
	398904310	398900310	10	50.0 [1.97]	45.00 [1.772]
	398904311	398900311	11	55.0 [2.17]	50.00 [1.969]
	398904312	398900312	12	60.0 [2.36]	55.00 [2.165]
	398904313	398900313	13	65.0 [2.56]	60.00 [2.362]
	398904314	398900314	14	70.0 [2.76]	65.00 [2.559]
	398904315	398900315	15	75.0 [2.95]	70.00 [2.756]
	398904316	398900316	16	80.0 [3.15]	75.00 [2.953]
	398904317	398900317	17	85.0 [3.35]	80.00 [3.150]
	398904318	398900318	18	90.0 [3.54]	85.00 [3.346]
	398904319	398900319	19	95.0 [3.74]	90.00 [3.543]
	398904320	398900320	20	100.0 [3.94]	95.00 [3.740]
	398904321	398900321	21	105.0 [4.13]	100.00 [3.937]
	398904322	398900322	22	110.0 [4.33]	105.00 [4.134]
	398904323	398900323	23	115.0 [4.53]	110.00 [4.331]
	398904324	398900324	24	120.0 [4.72]	115.00 [4.528]
	398904325	398900325	25	125.0 [4.92]	120.00 [4.724]

NOTES:

1. MATERIAL: SEE TABLE
2. FINISHES: SEE TABLE
3. ASSEMBLY IS ROHS COMPLIANT BY EXEMPTION. COMPONENTS MARKED WITH AN ASTERISK (\*) ARE ROHS COMPLIANT BY EXEMPTION. ALL OTHERS ARE ROHS COMPLIANT.
4. INCH DIMS ARE SHOWN IN BRACKETS [XXX].



<b>REVISED &amp; REDRAWN</b> EC NO: WNA2010-0469 DRAWN BY: CLYORK 2010/01/26 CHKD BY: DTITUS 2010/01/26 APPR: DTITUS 2010/02/02	QUALITY SYMBOLS ▽=0 ▽=0	GENERAL TOLERANCES (UNLESS SPECIFIED) mm INCH 4 PLACES ± --- ± --- 3 PLACES ± --- ± .005 2 PLACES ± 0.13 ± .010 1 PLACE ± 0.3 ± --- ANGULAR ± 2 °		DIMENSION STYLE MM/IN	SCALE 3:1	DESIGN UNITS INCH	THIRD ANGLE PROJECTION
		DRAFT WHERE APPLICABLE MUST REMAIN WITHIN DIMENSIONS		DRAWN BY: CLYORK DATE: 2010/01/26 CHECKED BY: DTITUS DATE: 2010/01/26 APPROVED BY: DTITUS DATE: 2010/02/01	TITLE 5.00/.197 EUROSTYLE LOW, SINGLE ROW FIXED BLOCK		MATERIAL NO. DOCUMENT NO. SHEET NO. SEE CHART SD-39890-003 1 OF 1

ITEM	QTY.	DESCRIPTION	MATERIAL	FINISH
4	XX	SCREW, M3	COPPER ALLOY	NICKEL PLATED
3	XX	CAGE CLAMP (*)	COPPER ALLOY	NICKEL PLATED
2	XX	TERMINAL, PC	COPPER ALLOY	TIN PLATED (E)
1	1	INSULATOR	POLYAMIDE	BLACK

## X-ON Electronics

Largest Supplier of Electrical and Electronic Components

*Click to view similar products for [Fixed Terminal Blocks](#) category:*

*Click to view products by [Molex](#) manufacturer:*

Other Similar products are found below :

[MBE-1512](#) [MBE-154](#) [MBE-156](#) [MBES-153](#) [MBES-156](#) [MH-2512](#) [MHE-132](#) [MHE-163](#) [MI-254 \(35\)](#) [MI-272](#) [880507](#) [MPT-275](#)  
[15602-04-08-21](#) [BA311TU](#) [BA411SU](#) [MV-152](#) [MV-252-D](#) [MV-253/NCNOC](#) [MV-254-D](#) [MV-255](#) [MV-462](#) [MV-493](#) [MVE-252](#) [MVE-253](#)  
[MVE-273](#) [MVEB-153](#) [1700096](#) [1705142](#) [1712417](#) [1713020](#) [1713088](#) [1745195](#) [1760594](#) [1776118-2](#) [1790852](#) [1-796689-8](#) [1-796692-6](#)  
[1800001](#) [1995279](#) [20020314-C121B01LF](#) [CB2-12](#) [KP03215000J0G](#) [KP04215000J0G](#) [S451](#) [282802-2](#) [29.007](#) [29.116](#) [30.103](#) [30.106](#)  
[30.252](#)