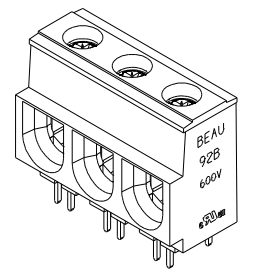
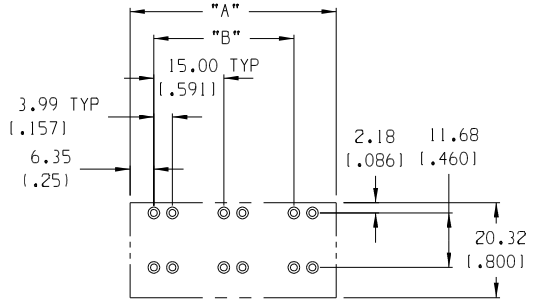
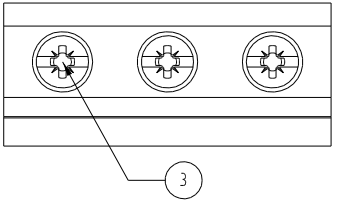
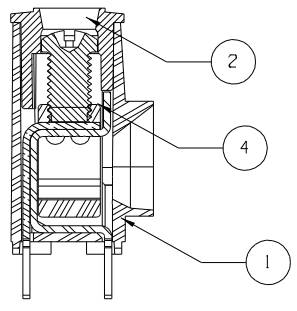


LENGTH TABLE

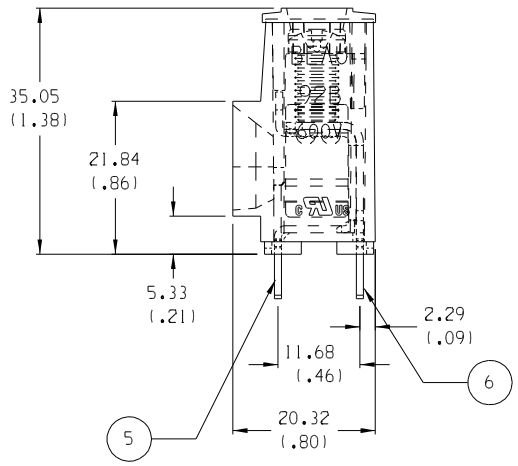
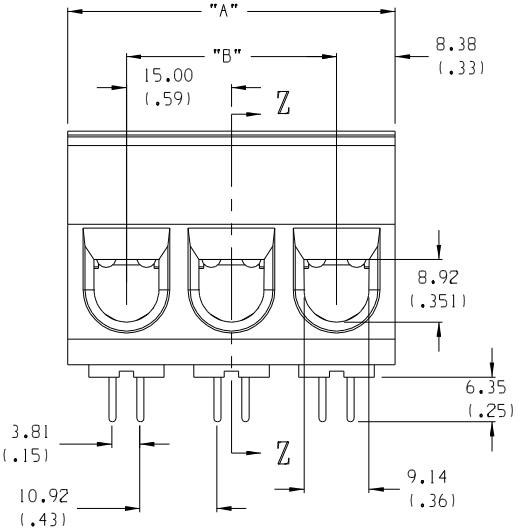
MATERIAL NO.	NO. CIRCUITS	DIM "A"	DIM "B"
	02	31.8 (1.25)	15.00 (.591)
	03	46.8 (1.84)	30.00 (1.181)
39920-0404	04	61.8 (2.43)	45.00 (1.772)
	05	76.8 (3.02)	60.00 (2.362)
	06	91.8 (3.61)	75.00 (2.952)
39920-0407	07	106.8 (4.20)	90.00 (3.543)
	08	121.8 (4.79)	105.00 (4.134)
	09	136.8 (5.38)	120.00 (4.724)
	10	151.8 (5.97)	135.00 (5.315)
	11	166.8 (6.57)	150.00 (5.906)
	12	181.8 (7.16)	165.00 (6.496)



RECOMMENDED PTH PATTERN
 Ø1.52 (0.060) MINIMUM FINISHED HOLE
 SCALE 1:1



SECTION Z-Z



- NOTES:
1. MATERIAL: SEE TABLE.
 2. FINISHES: SEE TABLE.
 3. PRODUCT SPECIFICATION: NOT REQUIRED.
 4. PACKAGING: NOT REQUIRED.
 5. MATES WITH: NONE.
 6. ALL FEATURES ARE TYPICAL UNLESS OTHERWISE NOTED.

7. "XX" REFERS TO THE NUMBER OF CIRCUIT POSITIONS
8. DESIGNED TO MEET NEC & UL 1059 CLASS C 600 VOLTS
9. MULTIPLE TAIL DESIGN FOR LOWER PCB CURRENT DENSITIES
10. PROVEN PRESSURE CLAMP STYLE CONNECTION
11. AVAILABLE IN VARIOUS LENGTHS
12. WINDOW ACCEPTS 133/23 STRANDED #2 AWG, #3 AWG AND 19 STRAND #1 AWG

ITEM	QTY.	DESCRIPTION	MATERIAL	FINISH
6	"XX"	OUTER TERMINAL	COPPER	TIN
5	"XX"	INNER TERMINAL	COPPER	TIN
4	"XX"	CAGE	BRASS	NICKEL
3	"XX"	SCREW, 1/4-28, POZI-SLOT	BRONZE	TIN
2	1	COVER	THERMOPLASTIC	BLACK
1	1	BODY	THERMOPLASTIC	BLACK

EC NO. ECN# 3987
 DRWN: CY 01-14-05
 CH'KT
 APPR:
 C

DESCRIPTION
 REV

QUALITY SYMBOLS
 MAJOR
 CRITICAL

GENERAL TOLERANCES: (UNLESS SPECIFIED)	
4 PLACES	±.0015
3 PLACES	±.038 ±.005
2 PLACES	±.13 ±.01
1 PLACE	±.3
ANGULAR: ±2°	
DRAFT WHERE APPLICABLE MUST REMAIN WITHIN DIMENSIONS	

SCALE 1.5:1
 DESIGN UNITS
 mm INCH
 THIRD ANGLE PROJECTION
 DRAWN BY & DATE
 R. KEMP 4-14-04
 CHECKED BY & DATE
 AMP 4-14-04
 APPROVED BY & DATE
 G. ROBERTSON 4-14-04
 CAD FILENAME
 92B05XX

TITLE: SR, BTS, #1-#8 AWG, 600V, POZI-SLOT

MOLEX INCORPORATED

MATERIAL NO. SEE CHART
 DRAWING NO. SD-39920-007
 SHEET NO. 1 OF 1
 SIZE B

REVISIONS:

REV	DESCRIPTION
1	-

X-ON Electronics

Largest Supplier of Electrical and Electronic Components

Click to view similar products for [Fixed Terminal Blocks](#) category:

Click to view products by [Molex](#) manufacturer:

Other Similar products are found below :

[MBE-1512](#) [MBE-154](#) [MBE-156](#) [MBES-153](#) [MBES-156](#) [MH-2512](#) [MHE-132](#) [MHE-163](#) [MI-254 \(35\)](#) [MI-272](#) [880507](#) [MPT-275](#)
[15602-04-08-21](#) [BA311TU](#) [BA411SU](#) [MV-152](#) [MV-252-D](#) [MV-253/NCNOC](#) [MV-254-D](#) [MV-255](#) [MV-462](#) [MV-493](#) [MVE-252](#) [MVE-253](#)
[MVE-273](#) [MVEB-153](#) [1700096](#) [1705142](#) [1712417](#) [1713020](#) [1713088](#) [1745195](#) [1760594](#) [1776118-2](#) [1790852](#) [1-796689-8](#) [1-796692-6](#)
[1800001](#) [1995279](#) [20020314-C121B01LF](#) [CB2-12](#) [KP03215000J0G](#) [KP04215000J0G](#) [S451](#) [282802-2](#) [29.007](#) [29.116](#) [30.103](#) [30.106](#)
[30.252](#)