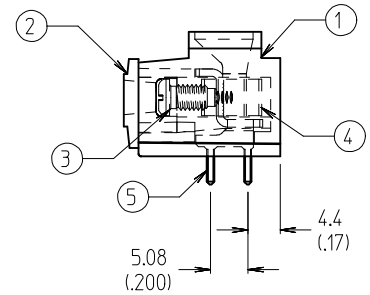
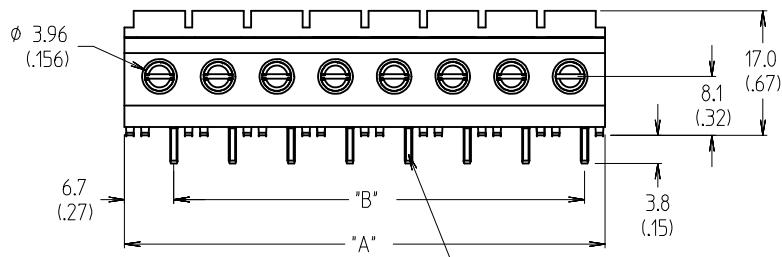
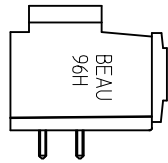
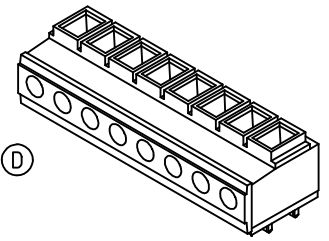
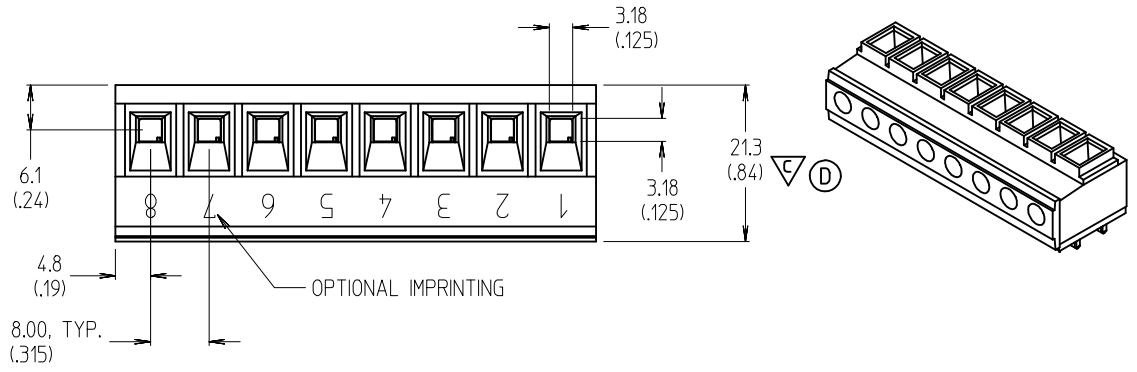
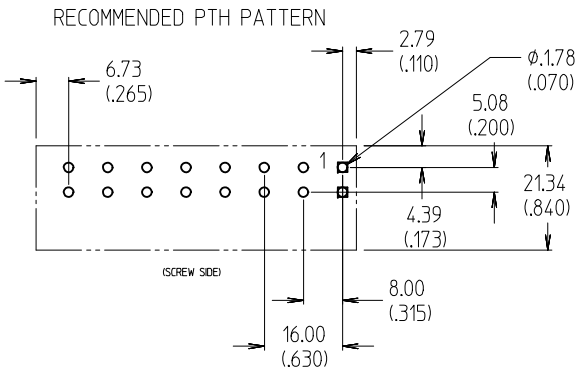


CIRCUIT NO. (XX)	(in.)		(mm)		MATERIAL NO.
	"B"	"A"	"B"	"A"	
02	.315	.69	8.00	17.5	399608202
03	.630	1.01	16.00	25.5	399608203
04	.945	1.32	24.00	33.5	399608204
05	1.260	1.64	32.00	41.5	399608205
06	1.575	1.95	40.00	49.5	399608206
07	1.890	2.27	48.00	57.5	399608207
08	2.205	2.58	56.00	65.5	399608208
09	2.520	2.90	64.00	73.5	399608209
10	2.835	3.21	72.00	81.5	399608210
11	3.150	3.53	80.00	89.5	399608211
12	3.465	3.84	88.00	97.5	399608212



1.0 (.04) SQUARE PC TAIL, TYPICAL, "2XX" PLACES

- NOTES:
1. MATERIAL: SEE TABLE.
 2. FINISHES: SEE TABLE.
 3. INCH DIMS ARE SHOWN IN PARENTHESIS (XXX).
 4. "XX" REFERS TO THE QUANTITY OF CIRCUITS.
 5. ADDITIONAL ±.002 /INCH FOR DIM. "A" AND DIM "B".
 6. ASSEMBLY IS ROHS COMPLIANT BY EXEMPTION. COMPONENTS MARKED WITH AN ASTERISK (*) ARE ROHS COMPLIANT BY EXEMPTION. ALL OTHERS ARE ROHS COMPLIANT.



5	"XX"	TERMINAL, HORIZONTAL, 10AWG	COPPER	TIN PLATE
4	"XX"	CAGE, 10 AWG, M3.5 (*)	BRASS	NICKEL PLATE
3	"XX"	SCREW, M3.5x0.6x.25L	SILICON BRONZE	TIN PLATE
2	1	MOLDING, BODY	POLYESTER (PBT/PC)	BLACK
1	1	MOLDING, CAP	POLYESTER (PBT/PC)	BLACK
ITEM	QTY.	DESCRIPTION	MATERIAL	FINISH

ADD CTQ. DIM. EC NO: IPG2013-1881 DRAWN: JENCINAS 2013/09/19 CHKD: JMACNEIL 2013/09/19 APPR: JMACNEIL 2013/09/24	QUALITY SYMBOLS ▽=0 ▽=1	GENERAL TOLERANCES (UNLESS SPECIFIED) mm INCH 4 PLACES ± --- ± --- 3 PLACES ± --- ± .005 2 PLACES ± 0.13 ± .01 1 PLACE ± 0.3 ± --- ANGULAR ± 2 °	DIMENSION STYLE MM/IN DRAWN BY DATE C. YORK 2009/02/02 CHECKED BY DATE R. DEROSS 2009/02/02 APPROVED BY DATE DTITUS 2010/01/11	SCALE 3:2 DESIGN UNITS INCH THIRD ANGLE PROJECTION
	DRAFT WHERE APPLICABLE MUST REMAIN WITHIN DIMENSIONS		MATERIAL NO. SEE CHART	TITLE 8.00/.315 SR BTS, PC, RA #10 AWG ASSY, 300V, 30A ROHS COMPLIANT
	MOLEX INCORPORATED		DOCUMENT NO. SD-39960-004	SHEET NO. 1 OF 1
	THIS DRAWING CONTAINS INFORMATION THAT IS PROPRIETARY TO MOLEX INCORPORATED AND SHOULD NOT BE USED WITHOUT WRITTEN PERMISSION			

X-ON Electronics

Largest Supplier of Electrical and Electronic Components

Click to view similar products for [Fixed Terminal Blocks](#) category:

Click to view products by [Molex](#) manufacturer:

Other Similar products are found below :

[MBE-1512](#) [MBE-154](#) [MBE-156](#) [MBES-153](#) [MBES-156](#) [MH-2512](#) [MHE-132](#) [MHE-163](#) [MI-254 \(35\)](#) [MI-272](#) [880507](#) [MPT-275](#)
[15602-04-08-21](#) [BA311TU](#) [BA411SU](#) [MV-152](#) [MV-252-D](#) [MV-253/NCNOC](#) [MV-254-D](#) [MV-255](#) [MV-462](#) [MV-493](#) [MVE-252](#) [MVE-253](#)
[MVE-273](#) [MVEB-153](#) [1700096](#) [1705142](#) [1712417](#) [1713020](#) [1713088](#) [1745195](#) [1760594](#) [1776118-2](#) [1790852](#) [1-796689-8](#) [1-796692-6](#)
[1800001](#) [1995279](#) [20020314-C121B01LF](#) [CB2-12](#) [KP03215000J0G](#) [KP04215000J0G](#) [S451](#) [282802-2](#) [29.007](#) [29.116](#) [30.103](#) [30.106](#)
[30.252](#)