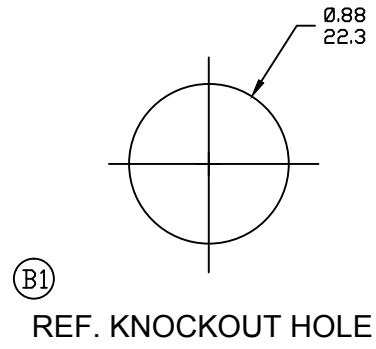


(B1) CHART

PART NO.	ENGINEERING NO.	FINISHED LENGTH
1300150117	3R9004A20A120	12IN
1300150029	3R1004A20F020	2.0FT
1300150070	3R2004A20M005	0.5M

- NOTES:
- MATERIAL: AS NOTED
  - FINISH: AS NOTED
  - ELECTRICAL:
    - VOLTAGE: 320V PER IEC60664  
600V PER UL2238
    - CURRENT: 9 POLE: 7A  
10 POLE: 7A  
12 POLE: 5A
  - TEMP RATING: -20°TO +105°C
  - PROTECTION: IP67 (WHEN MATED)
  - UL RECOGNIZED, FILE: E152210
  - DIMS ARE FOR REFERENCE UNLESS OTHERWISE NOTED



PART NUMBER LEGEND

3R1004A20F0101

COUPLING: BLANK= STD (SEE BOM)  
1= 303 STAINLESS ST.

LENGTH:  
 A120= 12 INCHES  
 F001= .1 FT  
 F020= 2 FT  
 F200= 20 FT

M005= 0.5 METER  
 M010= 1 METER  
 M100= 10 METER

POLES  
 9= 9 POLES  
 1=10 POLES  
 2=12 POLES

(B1) CABLE LENGTH TOLERANCES

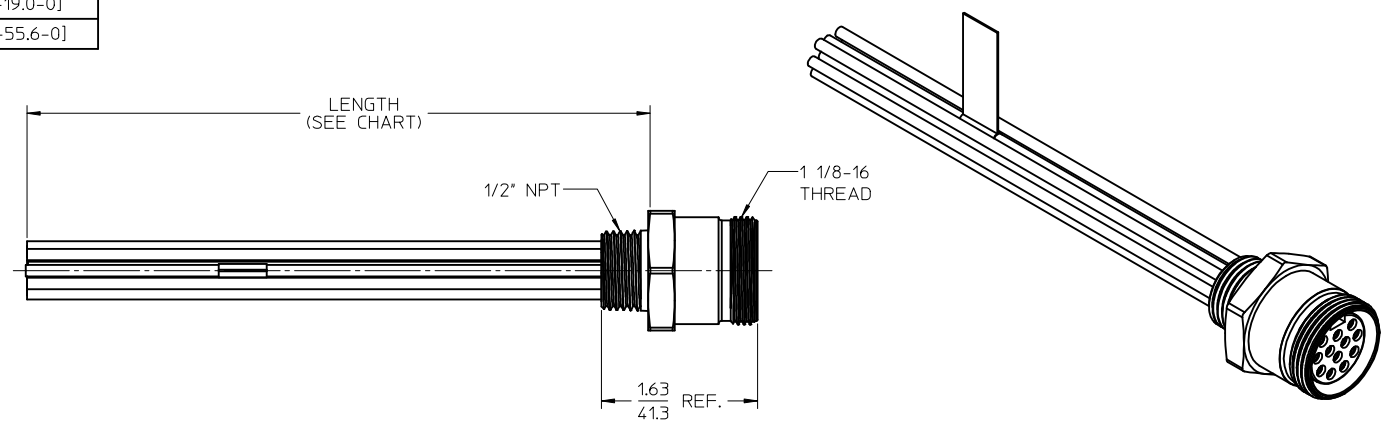
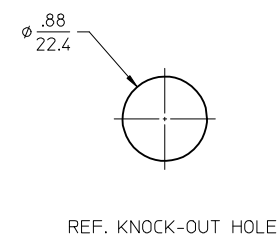
>.3M [1FT]: +19mm-0 [+1.75in-0]
.3 - .9M [1 - 3FT]: +44.5mm-0 [+1.75in-0]
.9 - 1.8M [3 - 6FT]: +55.6mm-0 [+2.19in-0]
1.8 - 3.7M [6 - 12FT]: +88.9mm-0 [+3.50in-0]
3.7 - 7.3M [12 - 24FT]: +165.1mm-0 [+6.50in-0]
7.3-14.6M [24 - 48FT]: +317.5mm-0 [+12.50in-0]
14.6 - 30.5M [48-100FT]: +622.3mm-0 [+24.50in-0]
OVER 30M [100FT] +2% OF FINISHED LENGTH

ITEM	DESCRIPTION	MATERIAL	FINISH
6	FLAG LABEL	VINYL	BLACK/YELLOW
5	POTTING MATERIAL	EPOXY	
4	WIRE, 16 AWG UL (1015)	PVC INSULATION	SEE CHART
3	CONTACT SOCKET	COPPER ALLOY	GOLD PLATED
2	FEMALE INSERT (C-SIZE)	PVC	YELLOW
1	RECEPTACLE SHELL	ZINC DIE-CAST	BLACK

REVD IEC VOLTS; ADD UL FILE, CHART & TOOLS EC NO: IPG2017-1018 DRWN: RSTONE 5/11/17 CHKD: M ZIELIN 2017/05/08 APPR: BWOODMAN 2016/08/19	QUALITY SYMBOLS ▽=0 ▽C=0	GENERAL TOLERANCES (UNLESS SPECIFIED) mm INCH 4 PLACES ±--- ±--- 3 PLACES ±--- ±--- 2 PLACES ±--- ±--- 1 PLACE ±--- ±--- ANGULAR ±2°	DIMENSION STYLE IN/MM	SCALE ---	DESIGN UNITS INCH	THIRD ANGLE PROJECTION
	DRAFT WHERE APPLICABLE MUST REMAIN WITHIN DIMENSIONS		DRAWN BY DATE RSTONE 2016/07/11	TITLE <b>MINI-CHANGE RECEPTACLE          9, 10 &amp; 12 POLE, FEMALE          16 AWG</b>		
	MATERIAL NO. -		CHECKED BY DATE K COX 2016/12/15	<b>MOLEX INCORPORATED</b>		
	SIZE B		APPROVED BY DATE TWOLDEGE 2016/08/19	DOCUMENT NO. <b>SD-130015-026</b>		SHEET NO. <b>1 OF 1</b>

THIS DRAWING CONTAINS INFORMATION THAT IS PROPRIETARY TO MOLEX INCORPORATED AND SHOULD NOT BE USED WITHOUT WRITTEN PERMISSION

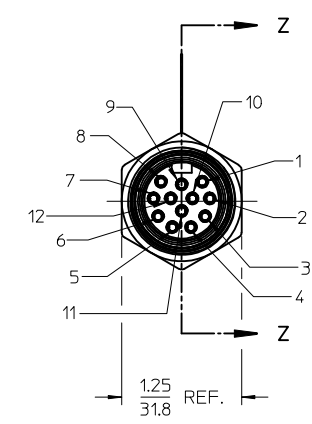
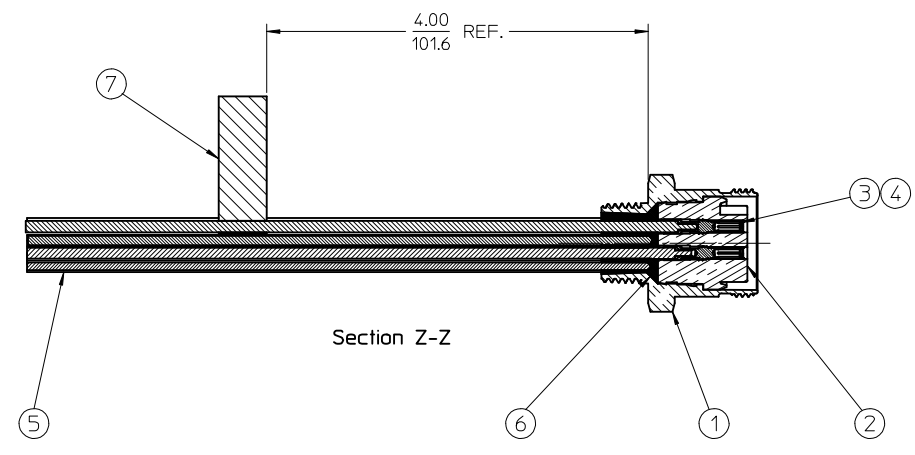
MATERIAL NO.	ENGINEERING NO.	LENGTH
1300150054	3R2004A20A120	12' +.75-0 [305mm +19.0-0]
1300150062	3R2004A20F060	6'0" +2.19-0 [ 1.8M +55.6-0]



- NOTES:
1. MATERIAL: SEE TABLE
  2. FINISHES: SEE TABLE
  3. MATES WITH: NONE
  4. ELECTRICAL SPECIFICATIONS:  
VOLTAGE RATING: 600V AC/DC  
CURRENT RATING: 5 AMPS
  5. RoHS COMPLIANT

1	ORANGE
2	BLUE
3	WHITE-BLACK
4	RED-BLACK
5	GREEN-BLACK
6	ORANGE-BLACK
7	BLUE-BLACK
8	BLACK-WHITE
9	GREEN-YELLOW
10	RED
11	WHITE
12	BLACK

WIRING DIAGRAM



ITEM	QTY.	DESCRIPTION	MATERIAL	FINISH
7	1	LABEL	PLASTIC FILM	BLACK/YELLOW
6	1	POTTING	EPOXY	
5	12	WIRE, 16 AWG (UL 1015)	PVC INSULATED	SEE WIRE DIAGRAM
4	12	SOCKET SLEEVE	ST. STEEL	
3	12	CONTACT SOCKET	BRASS	GOLD PLATED
2	1	INSERT	PVC	YELLOW
1	1	RECEPTACLE SHELL	ZINC ALLOY	BLACK

RELEASED  
EC NO: WNA2010-0101  
DRAWN BY: R.WOODMAN 2009/08/17  
CHKD BY: B.WOODMAN  
APPR: J.MURPHY 2009/08/21

QUALITY SYMBOLS ▽=0 ▽=0	GENERAL TOLERANCES (UNLESS SPECIFIED)		DIMENSION STYLE IN/MM		SCALE 1:1	DESIGN UNITS INCH	THIRD ANGLE PROJECTION
	4 PLACES	± .01	± .01	DRAWN BY R. STONE	DATE 2009/08/17	TITLE MC RECEPTACLE, FEMALE 12 POLE, 1/2" NPT	
	3 PLACES	± .01	± .01	CHECKED BY B. WOODMAN	DATE 2009/08/17	MOLEX INCORPORATED	
	2 PLACES	± .01	± .01	APPROVED BY J. MURPHY	DATE 2009/08/20	DOCUMENT NO. SD-130015-007	SHEET NO. 1 OF 1
1 PLACE	± 0.3	± .01	DRAFT WHERE APPLICABLE MUST REMAIN WITHIN DIMENSIONS		THIS DRAWING CONTAINS INFORMATION THAT IS PROPRIETARY TO MOLEX INCORPORATED AND SHOULD NOT BE USED WITHOUT WRITTEN PERMISSION		

## X-ON Electronics

Largest Supplier of Electrical and Electronic Components

*Click to view similar products for [D-Sub Micro-D Connectors](#) category:*

*Click to view products by [Molex](#) manufacturer:*

Other Similar products are found below :

[89076GBEPR](#) [M2430815F](#) [M243082311F](#) [M2430833F](#) [M2430834F](#) [M24308/4-6F](#) [65-1920-15](#) [M83513/01-HN](#) [M83513/03-A10N](#)  
[M83513/03-B14C](#) [M83513/03-D09C](#) [M83513/03-D11N](#) [M83513/03-G02N](#) [M83513/03-G05N](#) [M83513/03-G08C](#) [M83513/03-G09N](#)  
[M83513/03-G12N](#) [M83513/03-H13N](#) [M83513/04-E15N](#) [M83513/04-G04C](#) [M83513/10-E01NP](#) [M83513/13-B01NP](#) [M83513/13-C01NN](#)  
[M83513/16-A01CP](#) [M83513/22-D01NP](#) [M83513/25-B01NP](#) [6R2004A30F015](#) [6R4006A28A120](#) [703006A13F060](#) [704002A03F200](#)  
[705001A13F120](#) [7-1532020-5](#) [748567-1-P](#) [MDM-15PCBRM7T](#) [MDM-15PH003B-A174](#) [MDM-15PH034B](#) [MDM-15SH004B](#) [MDM-](#)  
[21PH003K](#) [MDM-21PH003P](#) [MDM-25PH003B-A174](#) [MDM-9PH003M7](#) [MDM-9SH006B](#) [773030D02F030](#) [790-024PA-5MS](#) [790-024PB-](#)  
[9ML](#) [790-027SH-10P4MEP](#) [790-041PJ-25P2MPA](#) [791-004SH-66MSA](#) [7R3A00A19A1201](#) [7R3A04A19A120](#)