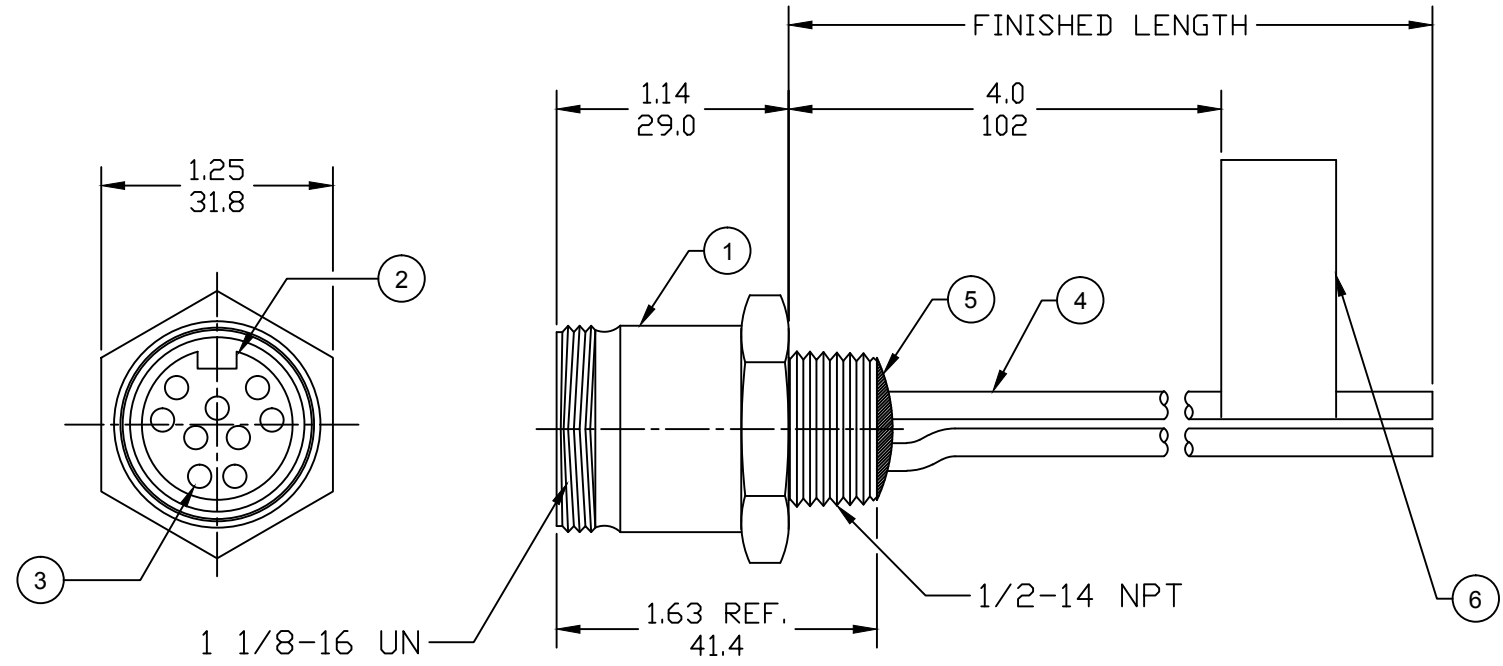
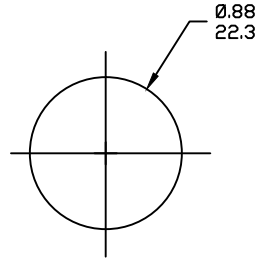


| FACE VIEW-MALE INSERT | | |
|--|---|--|
| | | |
| 1 ORANGE 2 BLUE 3 RED/BLACK 4 GREEN/BLACK 5 WHITE 6 RED 7 GREEN/YELLOW 8 WHITE/BLACK 9 BLACK | 1 ORANGE 2 BLUE 3 WHITE/BLACK 4 RED/BLACK 5 GREEN/BLACK 6 ORANGE/BLACK 7 RED 8 GREEN/YELLOW 9 BLACK 10 WHITE | 1 ORANGE 2 BLUE 3 WHITE/BLACK 4 RED/BLACK 5 GREEN/BLACK 6 ORANGE/BLACK 7 BLUE/BLACK 8 BLACK/WHITE 9 GREEN/YELLOW 10 RED 11 WHITE 12 BLACK |



(A1) CHART

| PART NO. | ENGINEERING NO. | FINISHED LENGTH |
|------------|-----------------|-----------------|
| 1300150137 | 3R9006A20A120 | 12IN |
| 1300150046 | 3R1006A20F020 | 2.0FT |
| 1300150086 | 3R2006A20M005 | 0.5M |



PART NUMBER LEGEND

3R1006A20F0101

- COUPLING: BLANK= STD (SEE BDM)
- 1= 303 STAINLESS ST.
- LENGTH:
 - A120= 12 INCHES
 - F001= .1 FT
 - F020= 2 FT
 - F200= 20 FT
- M005= 0.5 METER
- M010= 1 METER
- M100= 10 METER

POLES:
 9= 9 POLES
 1=10 POLES
 2=12 POLES

(A1) CABLE LENGTH TOLERANCES

| | |
|--------------------------|-------------------------|
| >.3M [1FT]: | +19mm-0 [+1.75in-0] |
| .3 - .9M [1 - 3FT]: | +44.5mm-0 [+1.75in-0] |
| .9 - 1.8M [3 - 6FT]: | +55.6mm-0 [+2.19in-0] |
| 1.8 - 3.7M [6 - 12FT]: | +88.9mm-0 [+3.50in-0] |
| 3.7 - 7.3M [12 - 24FT]: | +165.1mm-0 [+6.50in-0] |
| 7.3-14.6M [24 - 48FT]: | +317.5mm-0 [+12.50in-0] |
| 14.6 - 30.5M [48-100FT]: | +622.3mm-0 [+24.50in-0] |
| OVER 30M [100FT] | +2% OF FINISHED LENGTH |

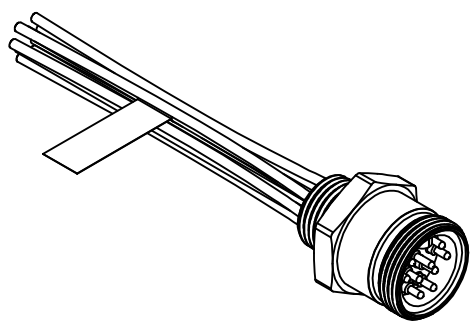
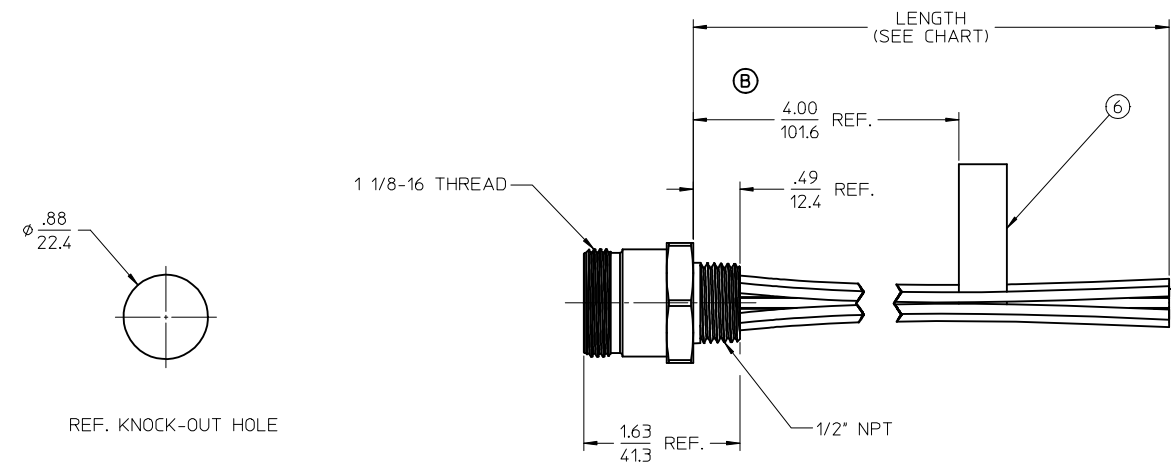
- NOTES:**
- MATERIAL: AS NOTED
 - FINISH: AS NOTED
 - ELECTRICAL:
 - (A1) VOLTAGE: 320V PER IEC60664
 - 600V PER UL2238
 - CURRENT: 9 POLE: 7A
 - 10 POLE: 7A
 - 12 POLE: 5A
 - TEMP RATING: -20°TO +105°C
 - PROTECTION: IP67 (WHEN MATED)
 - (A1) UL RECOGNIZED, FILE: E152210
 - DIMS ARE FOR REFERENCE UNLESS OTHERWISE NOTED

(A1) REF. KNOCKOUT HOLE

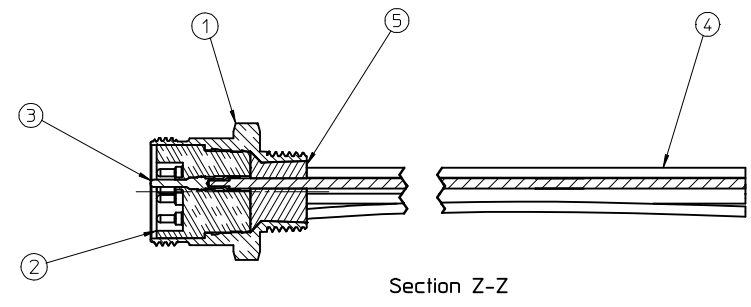
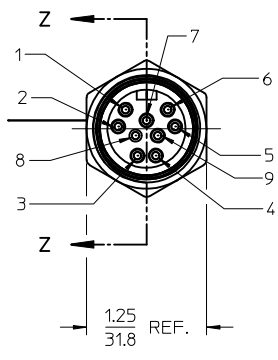
| ITEM | DESCRIPTION | MATERIAL | FINISH |
|------|------------------------|----------------|--------------|
| 6 | FLAG LABEL | VINYL | BLACK/YELLOW |
| 5 | POTTING MATERIAL | EPOXY | |
| 4 | WIRE, 16 AWG UL (1015) | PVC INSULATION | SEE CHART |
| 3 | CONTACT PIN | COPPER ALLOY | GOLD PLATED |
| 2 | MALE INSERT (C-SIZE) | PVC | YELLOW |
| 1 | RECEPTACLE SHELL | ZINC DIE-CAST | BLACK |

| | | | | | | | |
|--|--------------------|--|--|---|---|----------------------------|------------------------|
| REV'D IEC VOLTS, ADD UL FILE, CHART & TOLS EC NO: IPG2017-1018 DRWN: RSTONE 5/11/17 CHK'D: M ZIELIN 2017/05/08 APPR: BWOODMAN 2017/02/02 | DESCRIPTION REV | QUALITY SYMBOLS ▽=0 ◻=0 | GENERAL TOLERANCES (UNLESS SPECIFIED) 4 PLACES ±--- ±--- 3 PLACES ±--- ±--- 2 PLACES ±--- ±--- 1 PLACE ±--- ±--- ANGULAR ±---° | DIMENSION STYLE IN/MM | SCALE --- | DESIGN UNITS INCH | THIRD ANGLE PROJECTION |
| | | DRAWN BY RSTONE | DATE 2016/12/08 | TITLE MINI-CHANGE RECEPTACLE 9, 10, & 12P MALE 16 AWG | | | |
| | | CHECKED BY M ZIELIN | DATE 2017/05/08 | MOLEX INCORPORATED | | | |
| | | APPROVED BY BWOODMAN | DATE 2017/02/02 | MATERIAL NO. --- | DOCUMENT NO. SD-130015-027 | SHEET NO. 1 OF 1 | |
| A1 | | DRAFT WHERE APPLICABLE MUST REMAIN WITHIN DIMENSIONS | | SIZE B | THIS DRAWING CONTAINS INFORMATION THAT IS PROPRIETARY TO MOLEX INCORPORATED AND SHOULD NOT BE USED WITHOUT WRITTEN PERMISSION | | |

| MATERIAL NO. | ENGINEERING NO. | LENGTH |
|--------------|-----------------|------------------------------|
| 1300150137 | 3R9006A20A120 | 12' +.75-0 [305mm +19.0-0] |
| 1300150140 | 3R9006A20F030 | 3'0" +1.75-0 [.9M +44.5-0] |
| 1300150143 | 3R9006A20F060 | 6'0" +2.19-0 [1.8M +55.6-0] |



- NOTES:
1. MATERIAL: SEE TABLE
 2. FINISHES: SEE TABLE
 3. MATES WITH: NONE
 4. ELECTRICAL SPECIFICATIONS:
VOLTAGE RATING: 600V AC/DC
CURRENT RATING: 7 AMPS
 5. RoHS COMPLIANT



| | |
|---|--------------|
| 1 | ORANGE |
| 2 | BLUE |
| 3 | RED-BLACK |
| 4 | GREEN-BLACK |
| 5 | WHITE |
| 6 | RED |
| 7 | GREEN-YELLOW |
| 8 | WHITE-BLACK |
| 9 | BLACK |

WIRING DIAGRAM

| ITEM | QTY. | DESCRIPTION | MATERIAL | FINISH |
|------|------|------------------------|---------------|------------------|
| 6 | 1 | LABEL | PLASTIC FILM | BLACK/YELLOW |
| 5 | 1 | POTTING | EPOXY | |
| 4 | 9 | WIRE, 16 AWG (UL 1015) | PVC INSULATED | SEE WIRE DIAGRAM |
| 3 | 9 | CONTACT PIN | BRASS | GOLD PLATED |
| 2 | 1 | INSERT | PVC | YELLOW |
| 1 | 1 | RECEPCTACLE SHELL | ZINC ALLOY | E-COAT. BLACK |

| | | | | | | |
|--|-----------------|--|---|--|-------------------|------------------------|
| DIM WAS 8.00 EC NO: WNA2010-0101 DRAWN BY: R.STONE 2009/08/17 CHKD BY: WOODMAN APPR: J.MURPHY 2009/08/21 | QUALITY SYMBOLS | GENERAL TOLERANCES (UNLESS SPECIFIED) | DIMENSION STYLE IN/MM | SCALE 1:1 | DESIGN UNITS INCH | THIRD ANGLE PROJECTION |
| | ▽=0 | 4 PLACES ±.001 ±.001 | DRAWN BY R.STONE DATE 2009/03/26 | TITLE MC RECEPTACLE, MALE 9 POLE, 1/2" NPT | | |
| | ▽=0 | 3 PLACES ±.001 ±.001 | CHECKED BY B.WOODMAN DATE 2009/03/27 | | | |
| | | 2 PLACES ±.001 ±.01 | APPROVED BY J.MURPHY DATE 2009/03/31 | | | |
| | | 1 PLACE ±0.3 ±.001 | | | | |
| | | ANGULAR ±1/2° | | | | |
| | | DRAFT WHERE APPLICABLE MUST REMAIN WITHIN DIMENSIONS | SEE CHART | | | |
| | | | THIS DRAWING CONTAINS INFORMATION THAT IS PROPRIETARY TO MOLEX INCORPORATED AND SHOULD NOT BE USED WITHOUT WRITTEN PERMISSION | | | |

X-ON Electronics

Largest Supplier of Electrical and Electronic Components

Click to view similar products for [D-Sub Micro-D Connectors](#) category:

Click to view products by [Molex](#) manufacturer:

Other Similar products are found below :

[89076GBEPR](#) [M2430815F](#) [M243082311F](#) [M2430833F](#) [M2430834F](#) [M24308/4-6F](#) [65-1920-15](#) [M83513/01-HN](#) [M83513/03-A10N](#)
[M83513/03-B14C](#) [M83513/03-D09C](#) [M83513/03-D11N](#) [M83513/03-G02N](#) [M83513/03-G05N](#) [M83513/03-G08C](#) [M83513/03-G09N](#)
[M83513/03-G12N](#) [M83513/03-H13N](#) [M83513/04-E15N](#) [M83513/04-G04C](#) [M83513/10-E01NP](#) [M83513/13-B01NP](#) [M83513/13-C01NN](#)
[M83513/16-A01CP](#) [M83513/22-D01NP](#) [M83513/25-B01NP](#) [6R2004A30F015](#) [6R4006A28A120](#) [703006A13F060](#) [704002A03F200](#)
[705001A13F120](#) [7-1532020-5](#) [748567-1-P](#) [MDM-15PCBRM7T](#) [MDM-15PH003B-A174](#) [MDM-15PH034B](#) [MDM-15SH004B](#) [MDM-](#)
[21PH003K](#) [MDM-21PH003P](#) [MDM-25PH003B-A174](#) [MDM-9PH003M7](#) [MDM-9SH006B](#) [773030D02F030](#) [790-024PA-5MS](#) [790-024PB-](#)
[9ML](#) [790-027SH-10P4MEP](#) [790-041PJ-25P2MPA](#) [791-004SH-66MSA](#) [7R3A00A19A1201](#) [7R3A04A19A120](#)