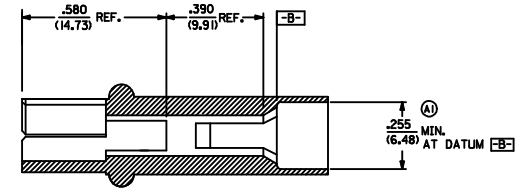
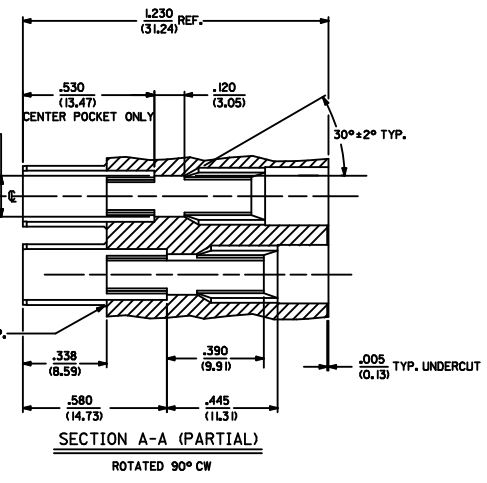
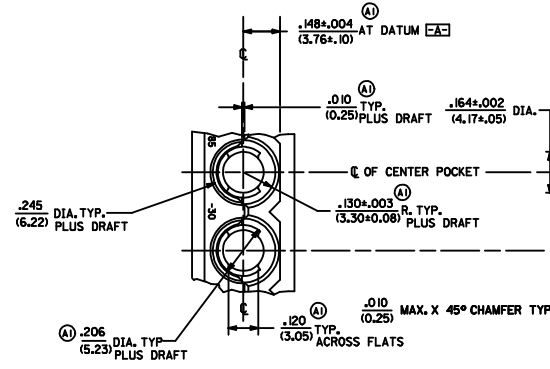
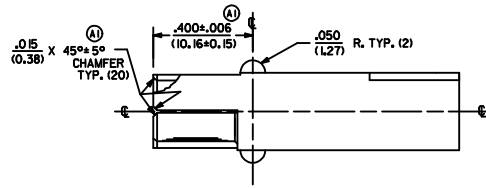


ITEM NO.	MATERIAL
40585-3000	POLYESTER, UL94V-0, GLASS-FILLED COLOR: NATURAL. (A)

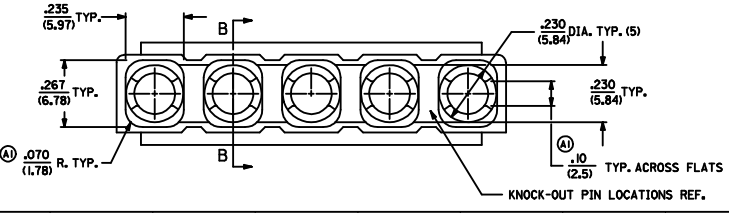
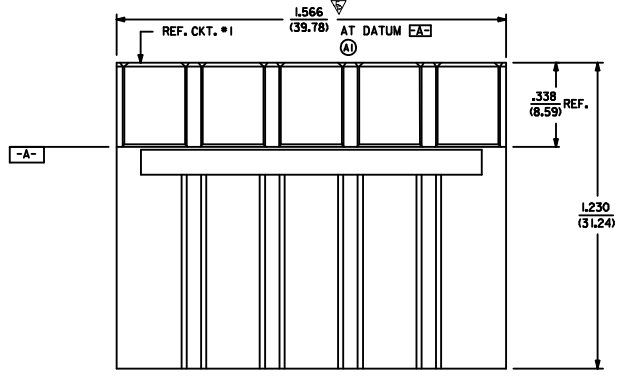
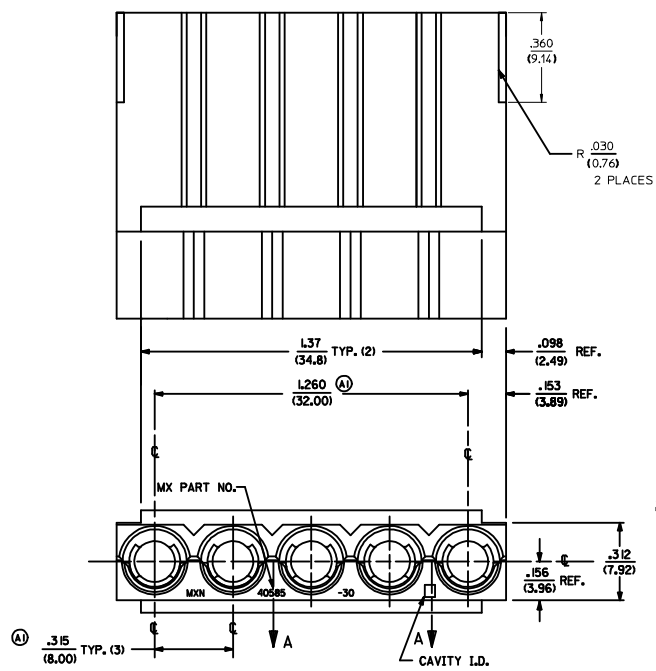
- NOTES:
- THIS HOUSING ACCEPTS MOLEX TERMINAL NO'S. 1219, 1220, 42824, AND 42825.
 - THIS HOUSING IS HERMAPHRODITIC.
 - CENTER CIRCUIT IS .050/(L27) FORWARD FROM THE OTHER (4) POCKETS FOR FIRST MAKE LAST BREAK GROUND CIRCUIT.



SECTION B-B



SECTION A-A (PARTIAL)
ROTATED 90° CW



REV	DESCRIPTION	QUALITY SYMBOLS	GENERAL TOLERANCES (UNLESS SPECIFIED)		DIMENSION STYLE IN/MM	SCALE 4:1	DESIGN UNITS INCH	THIRD ANGLE PROJECTION
			mm	INCH				
ADD	.030* RADII	▽=0	4 PLACES	± --- ± ---	DMS	1991/11/12	5 POSITION POWER CONN. HERMAPHRODITIC (8.00) / .315 CTRS molex	DOCUMENT NO. SD-40585-30**
DRW	DRW:WELHAG	▽=0	3 PLACES	± --- ± .010	SBB	1991/11/12		
CHK	CHKD:JRELL	▽=1	2 PLACES	± 0.25 ± .014				
APP	APPR:FSMTH		1 PLACE	± 0.36 ± ---				
			0 PLACE	± ±				
			ANGULAR ±1/2°		MATERIAL NO. SEE CHART		SHEET NO. 1 OF 1	
			DRAFT WHERE APPLICABLE MUST REMAIN WITHIN DIMENSIONS		THIS DRAWING CONTAINS INFORMATION THAT IS PROPRIETARY TO MOLEX INCORPORATED AND SHOULD NOT BE USED WITHOUT WRITTEN PERMISSION			

X-ON Electronics

Largest Supplier of Electrical and Electronic Components

Click to view similar products for [Power to the Board](#) category:

Click to view products by [Molex](#) manufacturer:

Other Similar products are found below :

[6450171-4](#) [6450552-7](#) [6600323-8](#) [6643429-1](#) [6646040-2](#) [6651939-1](#) [6766604-1](#) [120959-1](#) [1393557-2](#) [1393532-2](#) [1393532-3](#) [1393532-4](#)
[1393557-1](#) [1600812-5](#) [1-6450861-2](#) [1744132-7](#) [1761122-1](#) [1766250-1](#) [1892109-1](#) [2-6450860-5](#) [2-6450870-0](#) [1-6450161-4](#) [1-6450850-6](#) [1-6450869-6](#) [1645526-2](#) [1-6600130-0](#) [2005243-2](#) [377-0020-11130](#) [TE34-12-16P-F0](#) [5-6450830-6](#) [5646956-4](#) [377-0080-11131A](#) [4-6450830-9](#)
[4-6600333-3](#) [10125416-4050LF](#) [6600320-3](#) [3-6450860-5](#) [1888123-2](#) [6450166-1](#) [6643978-1](#) [6766605-1](#) [701-15-02109](#) [N11444](#) [6651938-1](#)
[6450810-7](#) [46437-1112](#) [1-1589677-8](#) [5646956-5](#) [6450813-2](#) [6450129-4](#)