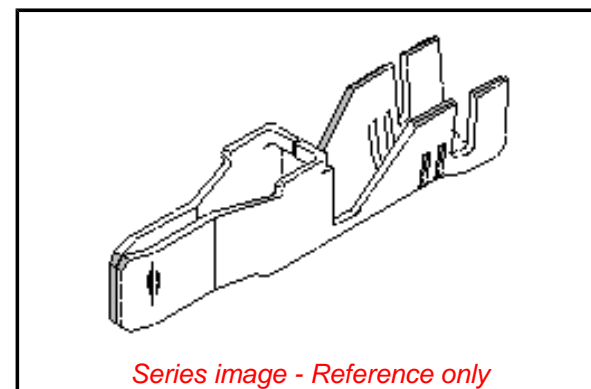


PLEASE CHECK WWW.MOLEX.COM FOR LATEST PART INFORMATION

Part Number: [0428170041](#)
Status: **Active**
Overview: [Mini-Fit Sr.™ Power Connectors](#)
Description: Mini-Fit Sr.™ Crimp Terminal, Male, 14-16 AWG, Tin (Sn)
Replacement Part Number: <http://www.molex.com/molex/products/listview.jsp?channel=Products&sType=p&query=042817004242817-0042> (Gold)

Documents:

[Drawing \(PDF\)](#) [Packaging Specification PK-42815-001 \(PDF\)](#)
[Product Specification PS-42815-001 \(PDF\)](#) [RoHS Certificate of Compliance \(PDF\)](#)
[Application Specification AS-42815-001 \(PDF\)](#)



General

Product Family	Crimp Terminals
Series	42817
Application	Power
Comments	High Current/Low Force See Product Specification for maximum current rating by circuit size and application.
Crimp Quality Equipment Overview	Yes
Product Name	Mini-Fit Sr.™ Power Connectors
Replacement Part Number	Mini-Fit Sr.™
Replacement Part Number	42817-0042 (Gold)
UPC	42817-1044 (Silver)
	756054457092

Physical

Gender	Male
Material - Metal	High Performance Alloy (HPA)
Material - Plating Mating	Tin over Nickel
Material - Plating Termination	Tin over Nickel
Net Weight	1.340/g
Packaging Type	Reel
Plating min - Mating	2.540µm
Plating min - Termination	2.540µm
Termination Interface: Style	Crimp or Compression
Wire Insulation Diameter	4.57mm max.
Wire Size AWG	14, 16
Wire Size mm²	N/A

Electrical

Current - Maximum per Contact	50.0A
-------------------------------	-------

Solder Process Data

Lead-freeProcess Capability	N/A
-----------------------------	-----

Material Info

Reference - Drawing Numbers

Application Specification	AS-42815-001
Packaging Specification	PK-42815-001
Product Specification	PS-42815-001, RPS-42815-011, RPS-42815-012, RPS-42815-013, RPS-42815-014
Sales Drawing	SD-42817-020

EU ELV

Not Relevant

EU RoHS

Compliant

REACH SVHC

Contains SVHC(2015 June 15): No

Halogen-Free

Status

Low-Halogen

Need more information on product environmental compliance?

Email productcompliance@molex.com
Please visit the [Contact Us](#) section for any non-product compliance questions.

China ROHS
ELV

Green Image
Not Relevant

Search Parts in this Series

[42817 Series](#)

Use With

Mini-Fit Sr.™ Plug Housings [42818](#) , [43938](#)

Application Tooling | FAQ

Tooling specifications and manuals are found by selecting the products below. Crimp Height Specifications are then contained in the Application Tooling Specification document.

Global

Description	Product #
Hand Crimp Tool	0638113800
Mini-Mac™ Applicator	0638912000
Manual Extraction Tool	0638130400

PLEASE CHECK WWW.MOLEX.COM FOR LATEST PART INFORMATION

X-ON Electronics

Largest Supplier of Electrical and Electronic Components

Click to view similar products for [Headers & Wire Housings](#) category:

Click to view products by [Molex](#) manufacturer:

Other Similar products are found below :

[892-18-020-10-001101](#) [58102-G61-06LF](#) [582553-1](#) [0009485154](#) [009176003701906](#) [0050291907](#) [LY20-4P-DT1-P1E-BR](#) [02.125.8002.8](#)
[609-3404](#) [61062-3](#) [622-0430](#) [622-3653LF](#) [63453-116](#) [636-1030](#) [636-1427](#) [636-3427](#) [636-4007](#) [641938-9](#) [641991-4](#) [644827-2](#) [65817-010LF](#)
[65817-015LF](#) [65863-015LF](#) [66207-023LF](#) [67095-007LF](#) [67601157](#) [68648-049](#) [70.362.1628.0](#) [70-4210](#) [70-4226B](#) [70-4853B](#) [707-5020](#) [707-](#)
[5028](#) [71.350.2428.0](#) [71918-208LF](#) [71961-016LF](#) [733-134](#) [733-162](#) [754199-000](#) [760-3052](#) [787-8014-00](#) [79531-3000](#) [FCN-360C032-B](#) [FCN-](#)
[367T-T012/H](#) [FCN-723D010/2](#) [80.063.4001.1](#) [800-90-001-10-001000](#) [800-90-010-10-002000](#) [801-43-002-10-013000](#) [801-43-006-10-002000](#)