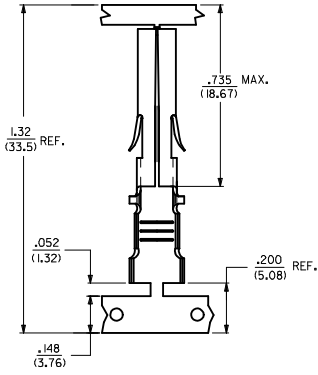
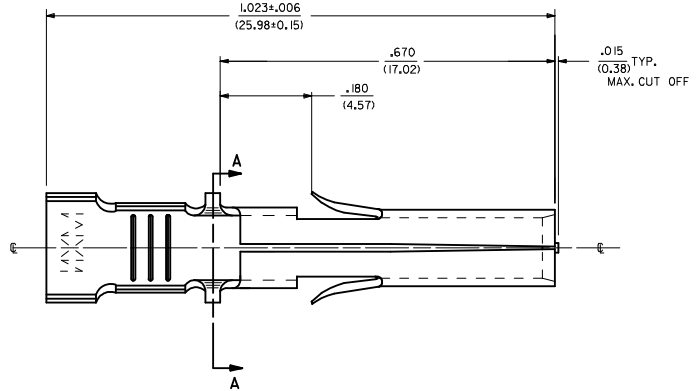


ITEM NO.	CRIMP SIZE	MATERIAL	PLATING	PACKAGING	'D'
42825-4002	12 AWG	.0160/10.406 THICK BRASS	PRE-TINNED .000020 (0.0005) MIN. TIN	SHIPPED ON REEL	.225 (5.72)

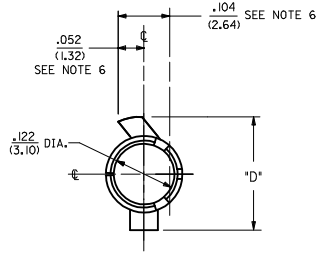


STRIP AND CARRIER LAYOUT
SCALE 4:1

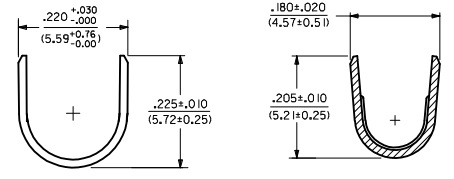
- NOTES:
1. MATERIAL: SEE CHART
 2. FINISH: SEE CHART
 3. PRODUCT SPECIFICATION: PS-40585
 4. PACKAGING: SEE CHART
 5. REELS OF THESE TERMINALS CANNOT HAVE MECHANICAL SPLICES.
 6. USING SEAM LINE AS VERTICAL CENTERLINE INDICATOR- MAXIMUM EXCURSION FROM HORIZONTAL CENTERLINE IS INDICATED FOR BOTH LOCK AND STOP TABS.
 7. THIS TERMINAL FOR USE IN HOUSING NO'S. 40585-1-5, 40585-3000, 43032-3300, 43032-3400, AND 43032-3500.
 8. TERMINALS FOR USE WITH STRANDED WIRE.
 9. PARTS CONFORM TO CLASS B REQUIREMENTS OF COSMETIC SPECIFICATION PS-45499-002.



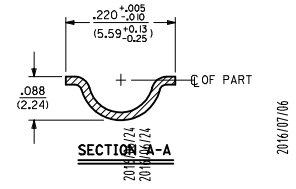
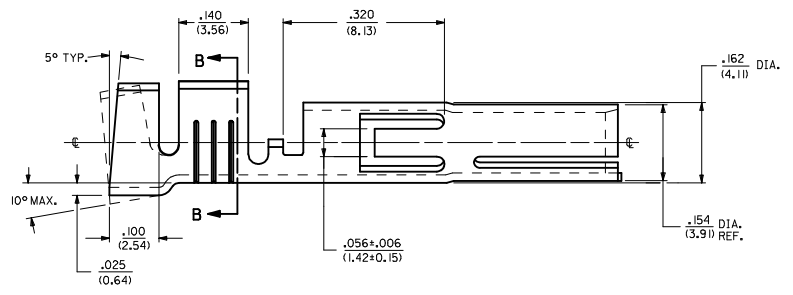
12 AWG TERMINAL SHOWN



INSULATION CRIMP DETAIL



SECTION B-B



SECTION A-A

<p>REMOVE OBSOLETE EC NO. UCF2016-4886 DRAWN: BAPPELDORN CHKD: KIPPER APPR: F SMITH</p>	QUALITY SYMBOLS	GENERAL TOLERANCES (UNLESS SPECIFIED)	DIMENSION STYLE	SCALE	DESIGN UNITS	THIRD ANGLE PROJECTION
	▽=0	mm INCH	IN/MM	8:1	INCH	☉
	▽=0	4 PLACES ± --- ± ---	DRAWN BY DATE	BAPPELDORN 2016/06/24	TITLE	
	▽=0	3 PLACES ± --- ± .005	CHECKED BY DATE	SBB 91/03/08	TERMINAL SOCKET .125 (3.18) DIA.	
	ANGULAR ±1/2°	1 PLACE ±.25 ± ---	APPROVED BY DATE	MATERIAL NO. DOCUMENT NO.		
	DRAFT WHERE APPLICABLE MUST REMAIN WITHIN DIMENSIONS	0 PLACE ± --- ± ---	F SMITH 2016/07/06	SEE CHART		SD-42825-40**
				SIZE	SHEET NO.	
				D	1 OF 1	

X-ON Electronics

Largest Supplier of Electrical and Electronic Components

Click to view similar products for [Headers & Wire Housings](#) category:

Click to view products by [Molex](#) manufacturer:

Other Similar products are found below :

[892-18-020-10-001101](#) [58102-G61-06LF](#) [582553-1](#) [0009485154](#) [009176003701906](#) [0050291907](#) [LY20-4P-DT1-P1E-BR](#) [02.125.8002.8](#)
[609-3404](#) [61062-3](#) [622-0430](#) [622-3653LF](#) [63453-116](#) [636-1030](#) [636-1427](#) [636-3427](#) [636-4007](#) [641938-9](#) [641991-4](#) [644827-2](#) [65817-010LF](#)
[65817-015LF](#) [65863-015LF](#) [66207-023LF](#) [67095-007LF](#) [67601157](#) [68648-049](#) [70.362.1628.0](#) [70-4210](#) [70-4226B](#) [70-4853B](#) [707-5020](#) [707-](#)
[5028](#) [71.350.2428.0](#) [71918-208LF](#) [71961-016LF](#) [733-134](#) [733-162](#) [754199-000](#) [760-3052](#) [787-8014-00](#) [79531-3000](#) [FCN-360C032-B](#) [FCN-](#)
[367T-T012/H](#) [FCN-723D010/2](#) [80.063.4001.1](#) [800-90-001-10-001000](#) [800-90-010-10-002000](#) [801-43-002-10-013000](#) [801-43-006-10-002000](#)