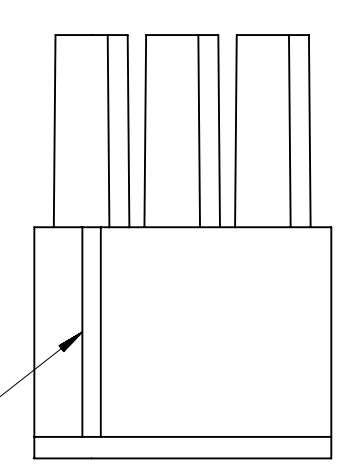
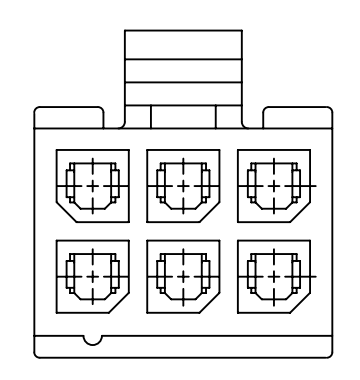
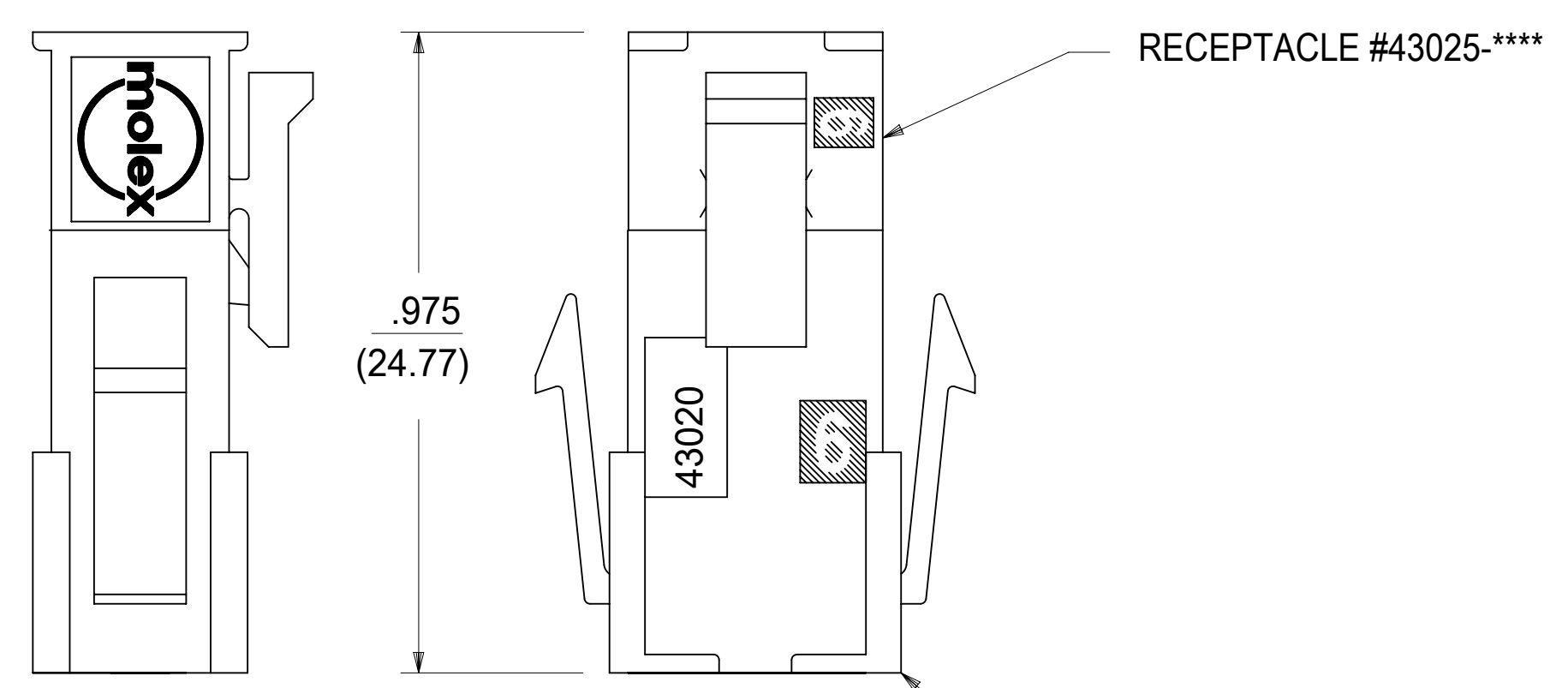
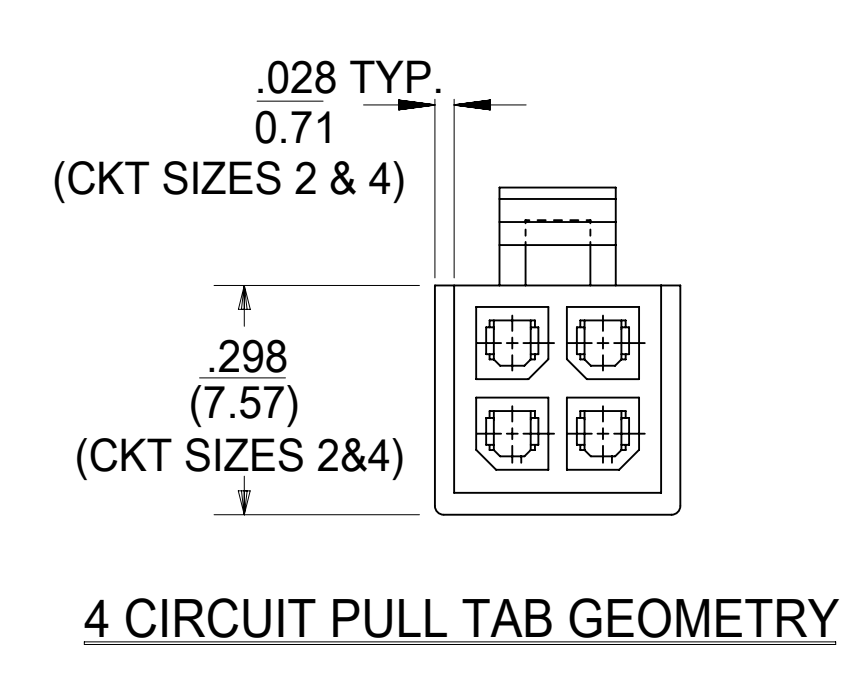
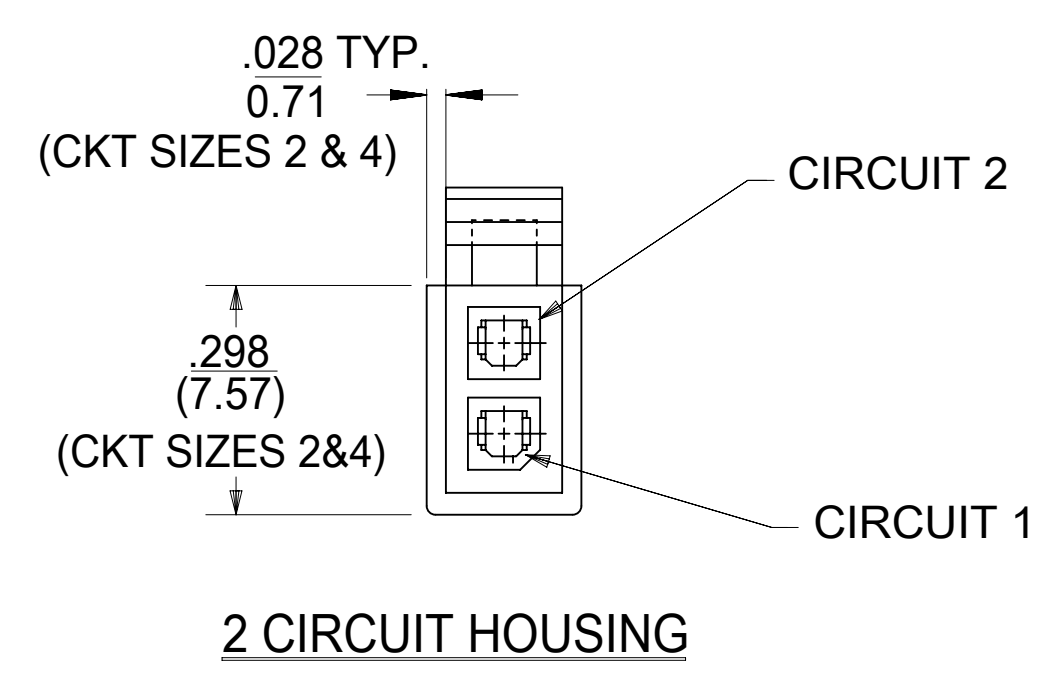
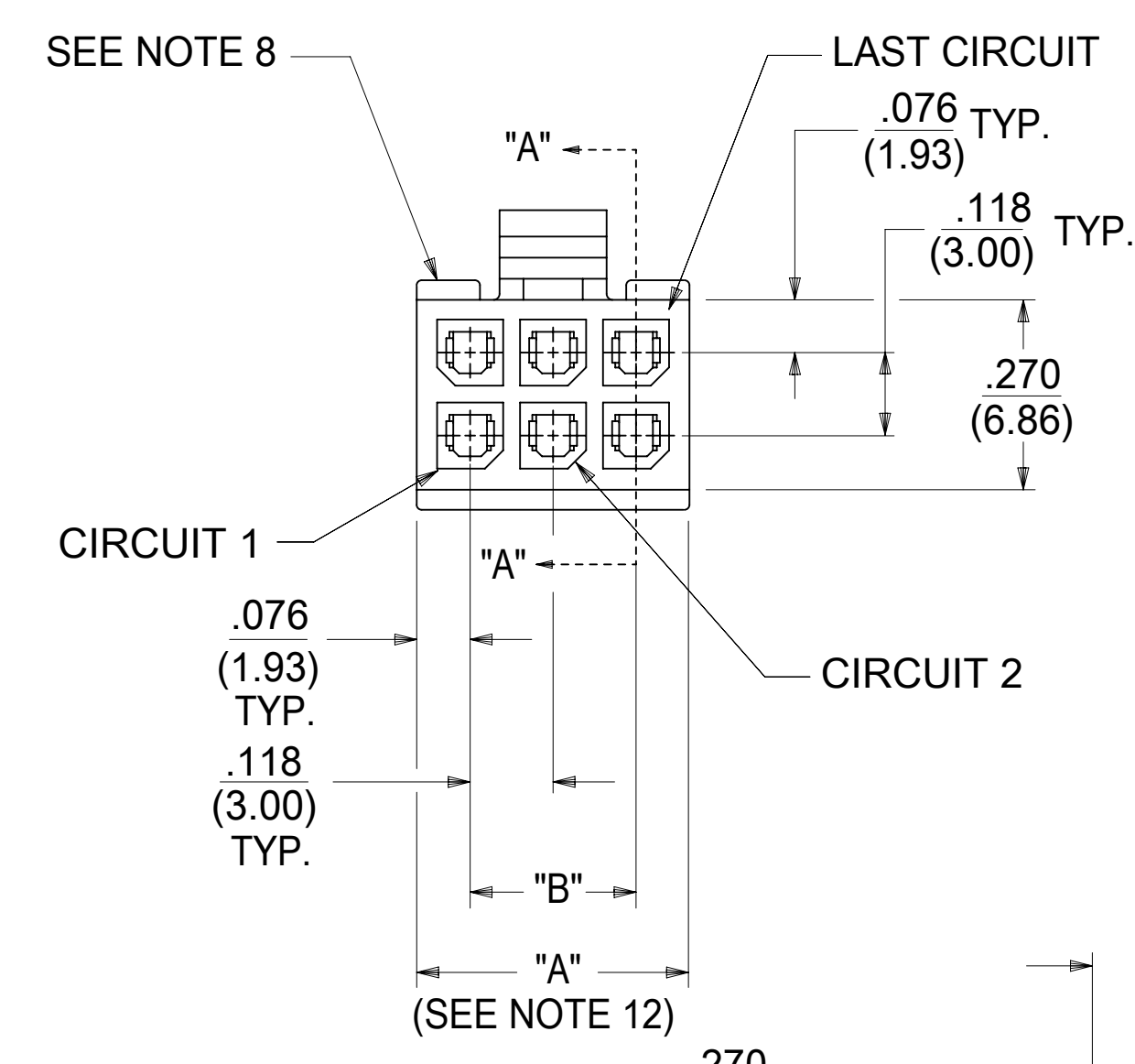


| PART CHARACTERISTICS | |
|----------------------|----------------------|
| NUMBER OF POSITION | ASSEMBLY ITEM NUMBER |
| 02 | 43025-0208 |
| 04 | 43025-0408 |
| 06 | 43025-0608 |
| 08 | 43025-0808 |
| 10 | 43025-1008 |
| 12 | 43025-1208 |
| 14 | 43025-1408 |
| 16 | 43025-1608 |
| 18 | 43025-1808 |
| 20 | 43025-2008 |
| 22 | 43025-2208 |
| 24 | 43025-2408 |

| CKT. NO. | DIM. "A" +.014 -.010 +0.35 -0.25 | DIM. "B" |
|----------|--|--------------|
| 2 | .152(3.86) | N/A |
| 4 | .270(6.85) | .118(3.00) |
| 6 | .388(9.85) | .236(6.00) |
| 8 | .506(12.85) | .354(9.00) |
| 10 | .624(15.85) | .472(12.00) |
| 12 | .742(18.85) | .591(15.00) |
| 14 | .860(21.85) | .709(18.00) |
| 16 | .978(24.85) | .827(21.00) |
| 18 | 1.096(27.85) | .945(24.00) |
| 20 | 1.215(30.85) | 1.063(27.00) |
| 22 | 1.333(33.85) | 1.181(30.00) |
| 24 | 1.451(36.85) | 1.299(33.00) |

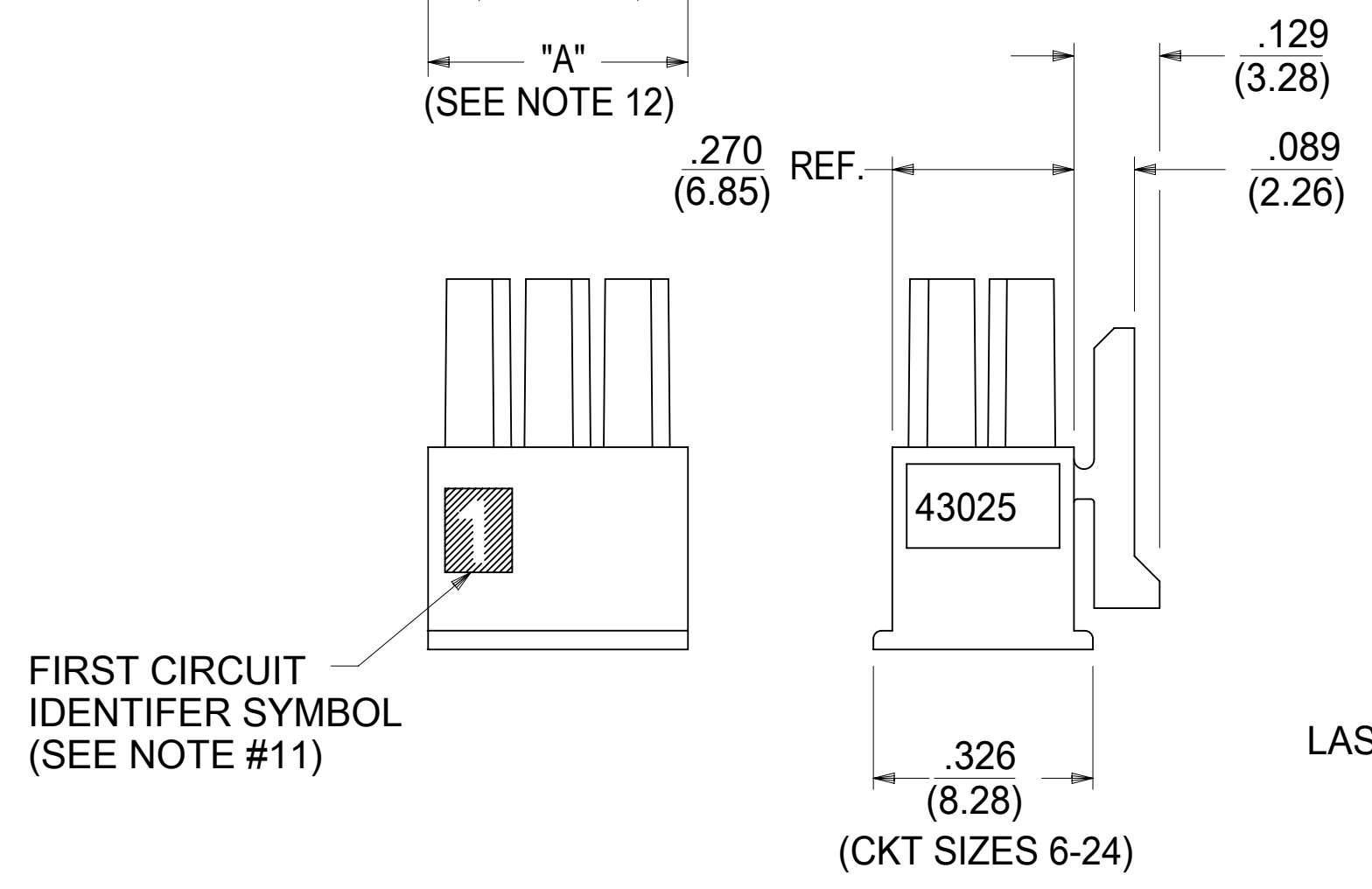


HOUSING SHOWN WITH FIRST CIRCUIT IDENTIFIER RIB (SEE NOTE #11)

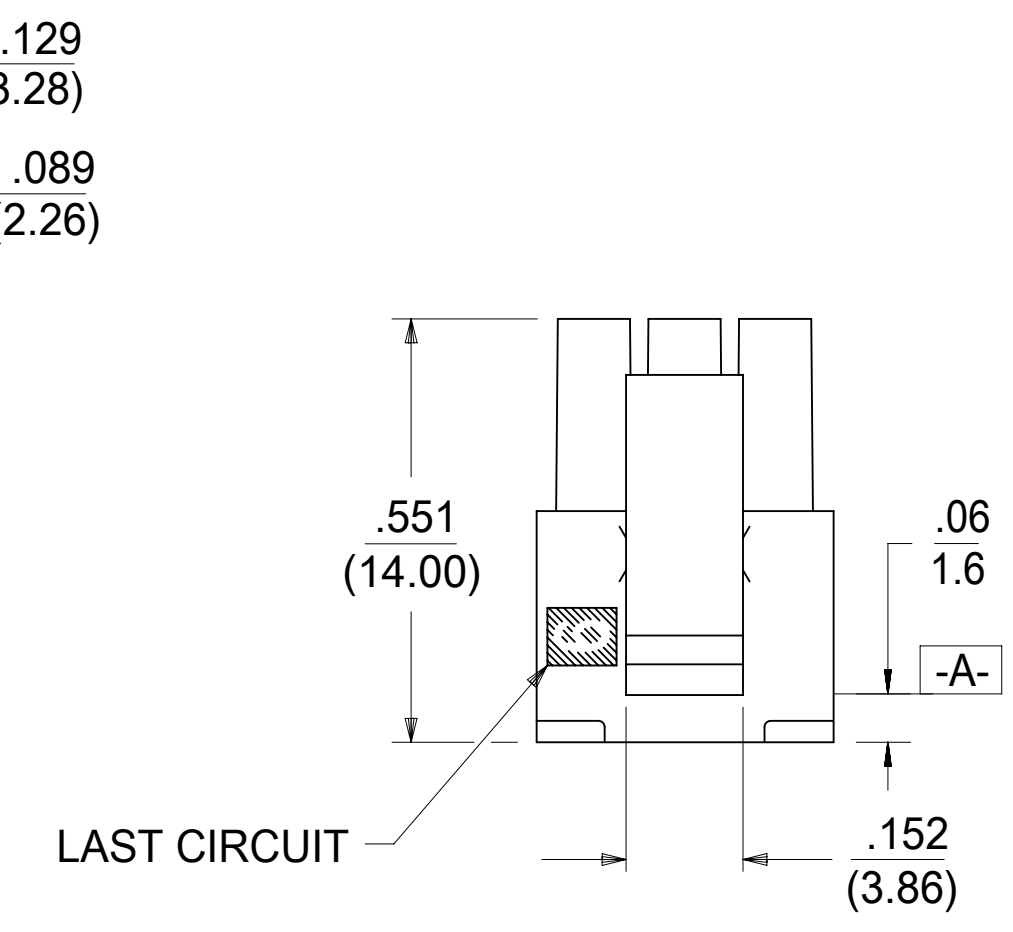


MATED MICRO-FIT CONNECTOR

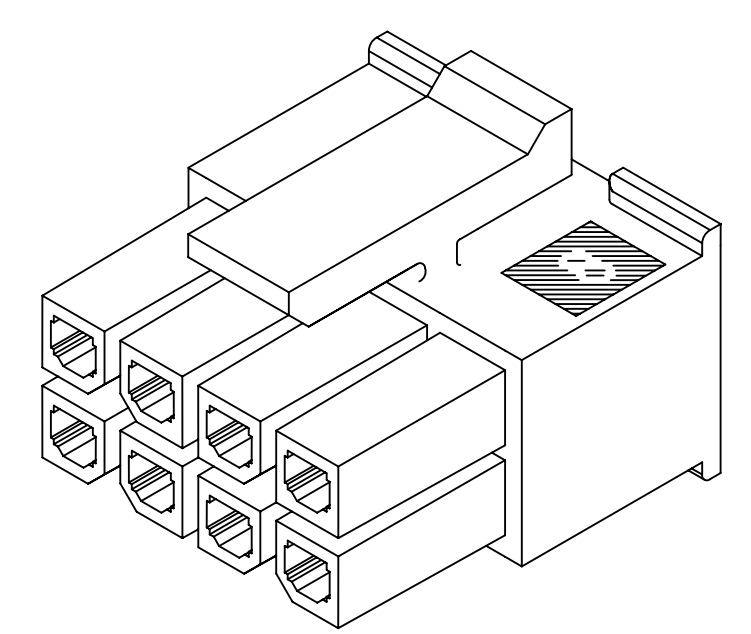
PLUG #43020-****



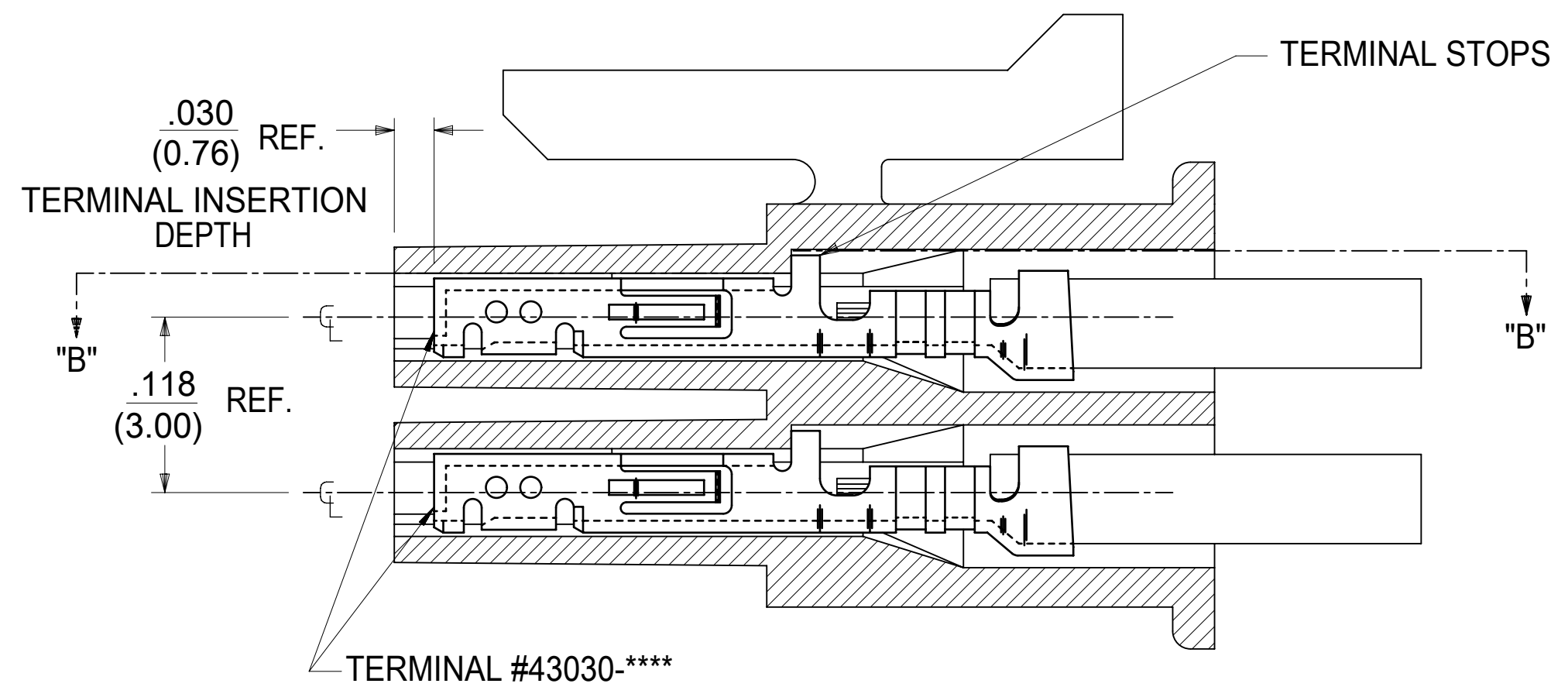
FIRST CIRCUIT IDENTIFIER SYMBOL (SEE NOTE #11)



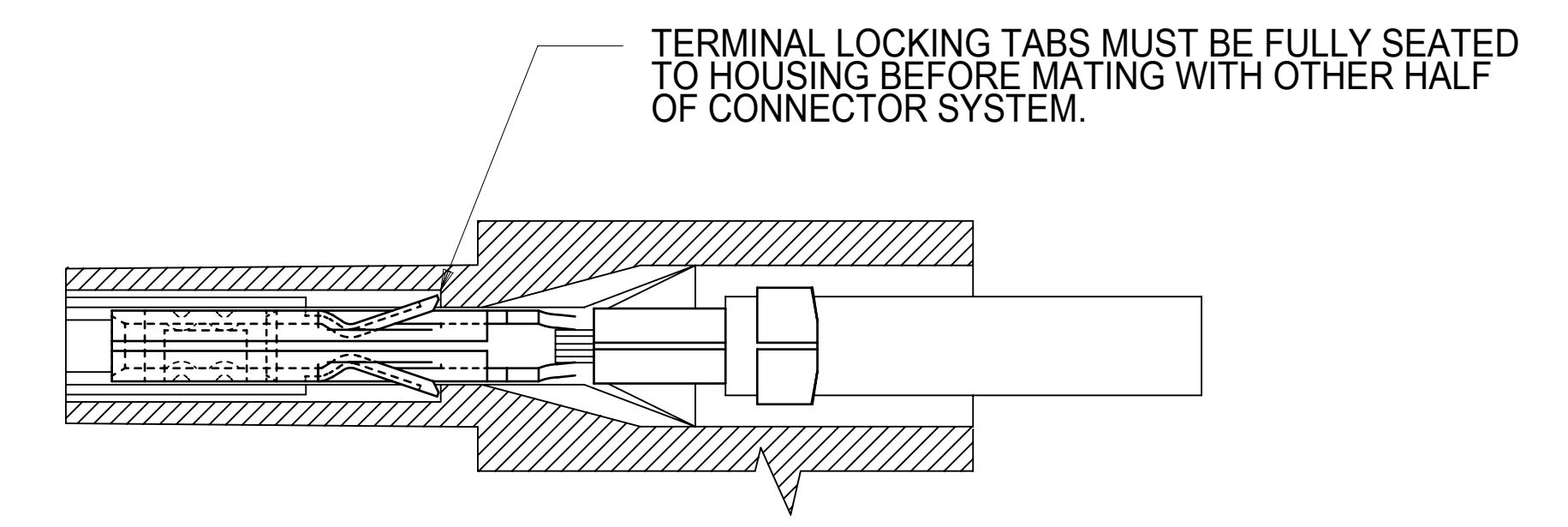
LAST CIRCUIT



RECEPTACLE ISO VIEW (8 CIRCUIT SHOWN) (SEE NOTE 9 FOR TESTING)



SECTION "A"-"A" WITH TERMINAL (SCALE 10:1)



SECTION "B"-"B" (SCALE 10:1)

TERMINAL LOCKING TABS MUST BE FULLY SEATED TO HOUSING BEFORE MATING WITH OTHER HALF OF CONNECTOR SYSTEM.

- NOTES:
- 1) HOUSING MATERIAL: UNFILLED NYLON, RATED UL 94V-0, COLOR IS BLACK, (LOW HALOGEN)
 - 2) FINISH: N/A
 - 3) PRODUCT SPECIFICATION: PS-43045
 - 4) PACKAGING SPECIFICATION: PK-43025-001
 - 5) THIS RECEPTACLE MATES WITH 43020, 43045
 - 6) THIS RECEPTACLE TO BE USED WITH MOLEX FEMALE TERMINAL SERIES 43030 OR 46235. SEE SECTION "A"-"A" FOR TERMINAL ORIENTATION IN HOUSING.
 - 7) FOR OVERMOLDING PARAMETERS SEE APPLICATION SPECIFICATION 430250000-AS
 - 8) TOP PULL TABS ARE NOT AVAILABLE ON 2 AND 4 CIRCUIT PARTS
 - 9) MOLEX RECOMMENDS THE USE OF MICRO-FIT TEST PLUG, SERIES NO. 44242-**** WHENEVER TESTING IS PERFORMED. TEST PLUGS MUST NOT BE USED FOR MAKE OR BREAK UNDER LOAD. MOLEX DOES NOT RECOMMEND USING STANDARD MATING COMPONENTS FOR HARNESS TESTING PURPOSES.
 - 10) SOME HOUSINGS MAY HAVE A SMALL GATE BLEMISH NEAR THE GATE THAT DOES NOT AFFECT FUNCTIONALITY
 - 11) HOUSINGS HAVE EITHER AN IDENTIFIER RIB OR ENGRAVED "1" SYMBOL TO INDICATE CIRCUIT #1. IDENTIFIER TYPE IS TOOL DEPENDENT AND NOT SELECTABLE.
 - 12) DIMENSION 'A' MEASURED AT DATUM \square -A-
 - 13) THIS PART CONFORMS TO CLASS 'B' REQUIREMENTS OF COSMETIC SPECIFICATION PS-45499-002
 - 14) TEXT ON PART IS FOR REFERENCE ONLY. TEXT AND TEXT LOCATION MAY VARY DEPENDING ON PART NUMBER AND/OR TOOL.

| | | | | |
|--------------|---|-----------------|---------------------------------|--|
| SYMBOLS | THIS DRAWING CONTAINS INFORMATION THAT IS PROPRIETARY TO MOLEX ELECTRONIC TECHNOLOGIES, LLC AND SHOULD NOT BE USED WITHOUT WRITTEN PERMISSION | | CURRENT REV DESC: UPDATE NOTE 7 | |
| | DIMENSION UNITS | SCALE | | |
| $\nabla = 0$ | IN/MM | NTS | | |
| $\nabla = 0$ | GENERAL TOLERANCES (UNLESS SPECIFIED) | | | |
| $\nabla = 0$ | | MM | INCH | |
| $\nabla = 0$ | 4 PLACES | ± | ± | |
| $\nabla = 0$ | 3 PLACES | ± | ± 0.01 | |
| $\nabla = 0$ | 2 PLACES | ± | ± 0.014 | |
| $\nabla = 0$ | 1 PLACE | ± | ± 0.35 | |
| $\nabla = 0$ | 0 PLACES | ± | ± | |
| $\nabla = 0$ | ANGULAR TOL | | ± 0.5° | |
| $\nabla = 0$ | DRAFT WHERE APPLICABLE MUST REMAIN WITHIN DIMENSIONS | | | |
| $\nabla = 0$ | THIRD ANGLE PROJECTION | DRAWING | SERIES | |
| $\nabla = 0$ | | D-SIZE | 43025 | |
| | | MATERIAL NUMBER | CUSTOMER | |
| | | SEE CHART | GENERAL MARKET | |
| | | SHEET NUMBER | | |
| | | 1 OF 1 | | |

molex

MICRO-FIT (3.0) RECEPTACLE, LOW HALOGEN DUAL ROW / 2 THRU 24 CIRCUIT

PRODUCT CUSTOMER DRAWING

| | | | |
|-----------------|----------|----------|----------|
| DOCUMENT NUMBER | DOC TYPE | DOC PART | REVISION |
| SD-43025-001 | PSD | 001 | A8 |

X-ON Electronics

Largest Supplier of Electrical and Electronic Components

Click to view similar products for [Headers & Wire Housings](#) category:

Click to view products by [Molex](#) manufacturer:

Other Similar products are found below :

[892-18-020-10-001101](#) [58102-G61-06LF](#) [582553-1](#) [0009485154](#) [009176003701906](#) [0050291907](#) [LY20-4P-DT1-P1E-BR](#) [02.125.8002.8](#)
[609-3404](#) [61062-3](#) [622-0430](#) [622-3653LF](#) [63453-116](#) [636-1030](#) [636-1427](#) [636-3427](#) [636-4007](#) [641938-9](#) [641991-4](#) [644827-2](#) [65817-010LF](#)
[65817-015LF](#) [65863-015LF](#) [66207-023LF](#) [67095-007LF](#) [67601157](#) [68648-049](#) [70.362.1628.0](#) [70-4210](#) [70-4226B](#) [70-4853B](#) [707-5020](#) [707-5028](#) [71.350.2428.0](#) [71918-208LF](#) [71961-016LF](#) [733-134](#) [733-162](#) [754199-000](#) [760-3052](#) [787-8014-00](#) [79531-3000](#) [FCN-360C032-B](#) [FCN-367T-T012/H](#) [FCN-723D010/2](#) [80.063.4001.1](#) [800-90-001-10-001000](#) [800-90-010-10-002000](#) [801-43-002-10-013000](#) [801-43-006-10-002000](#)