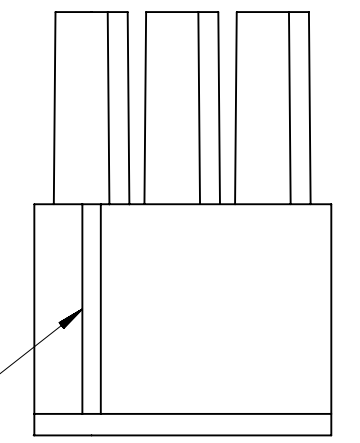
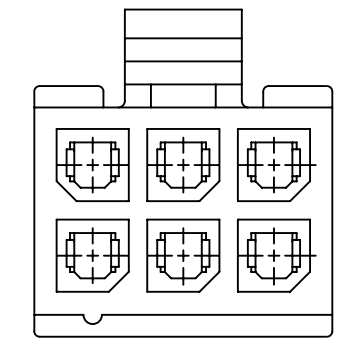
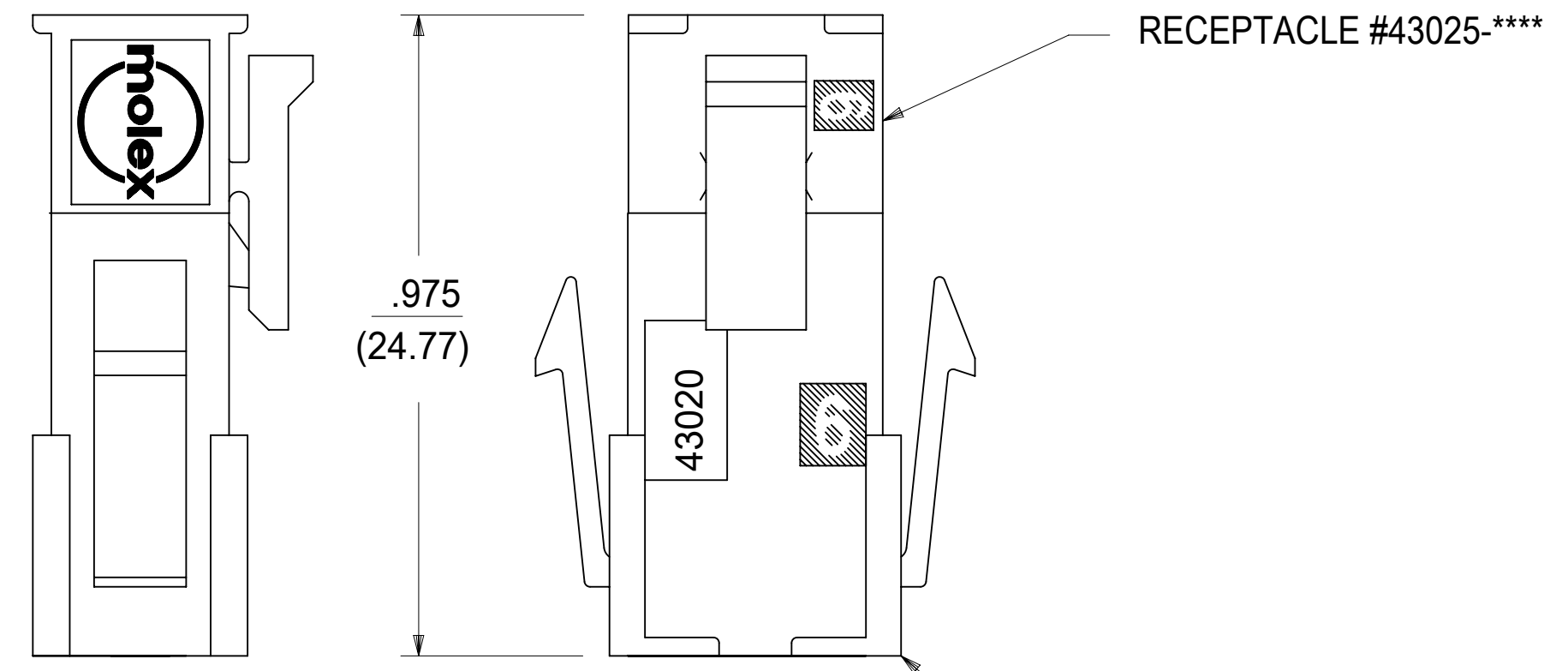
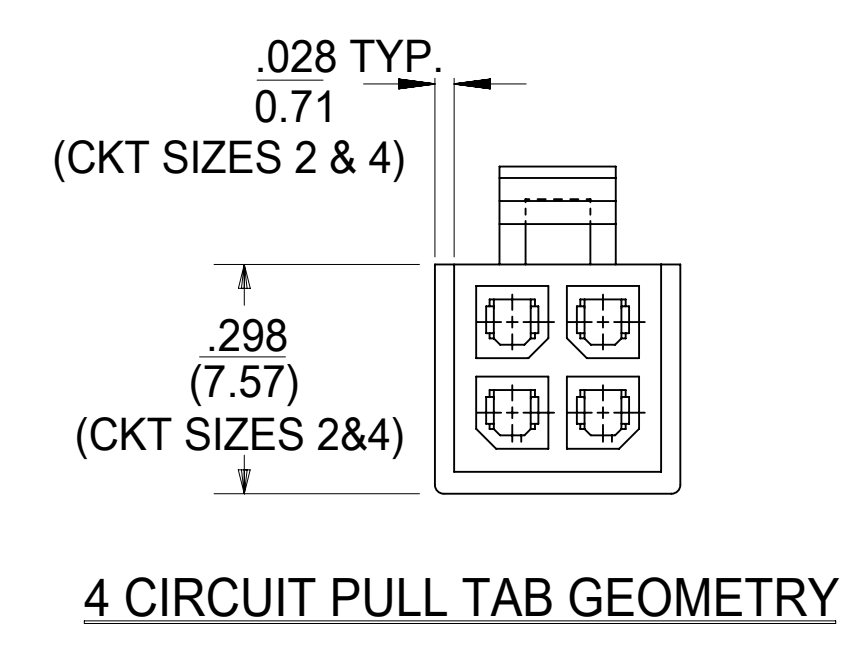
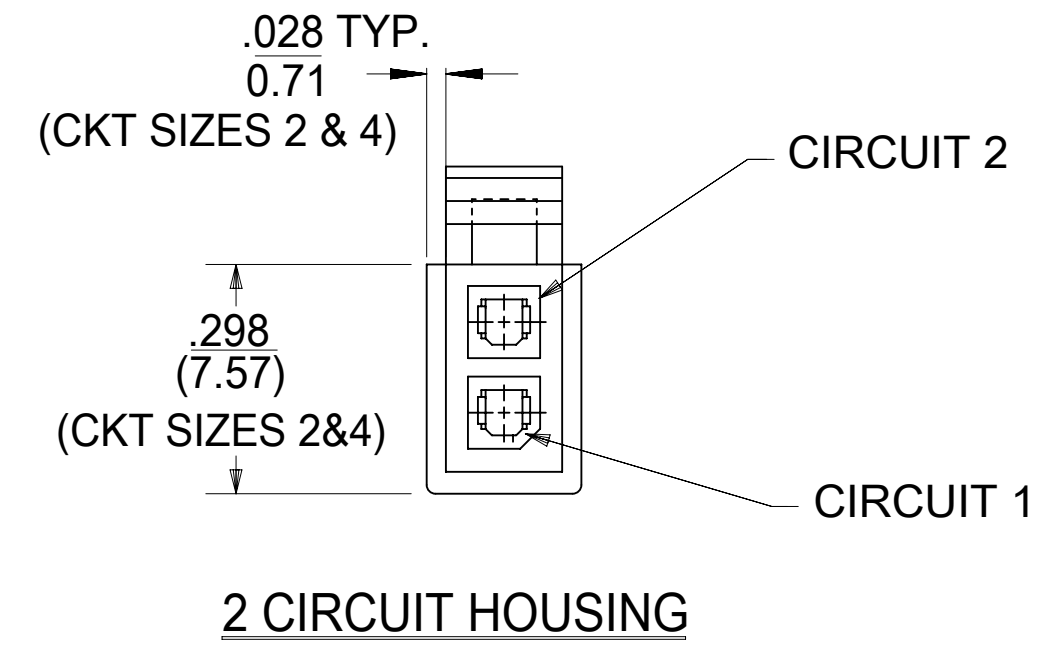
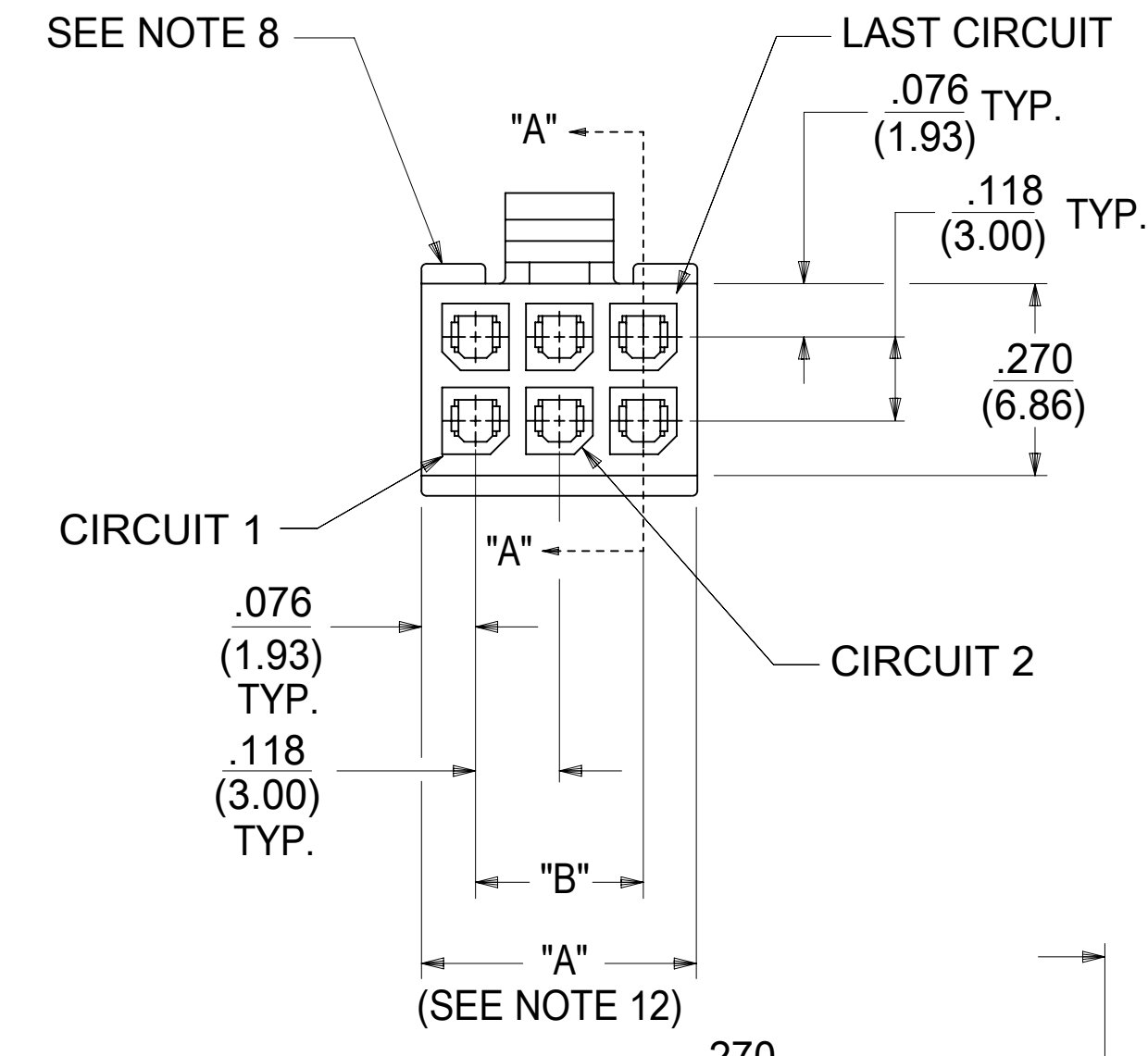


PART CHARACTERISTICS	
NUMBER OF POSITION	ASSEMBLY ITEM NUMBER
02	43025-0208
04	43025-0408
06	43025-0608
08	43025-0808
10	43025-1008
12	43025-1208
14	43025-1408
16	43025-1608
18	43025-1808
20	43025-2008
22	43025-2208
24	43025-2408

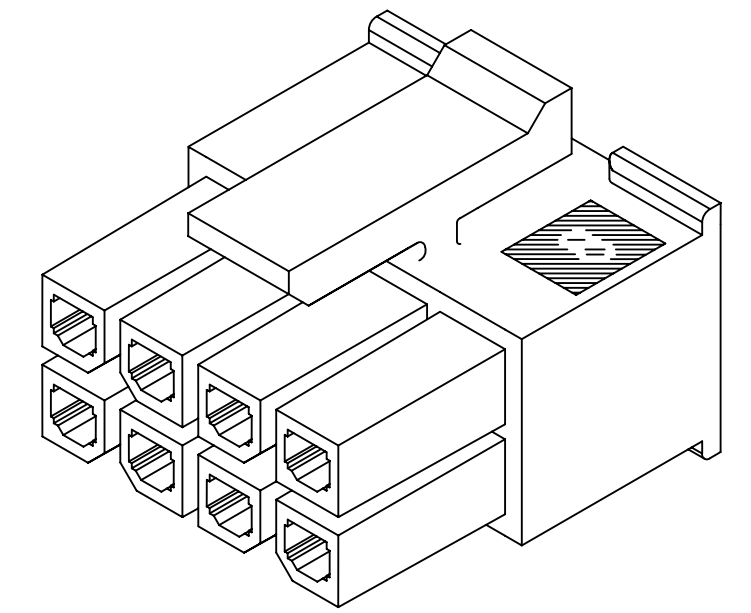
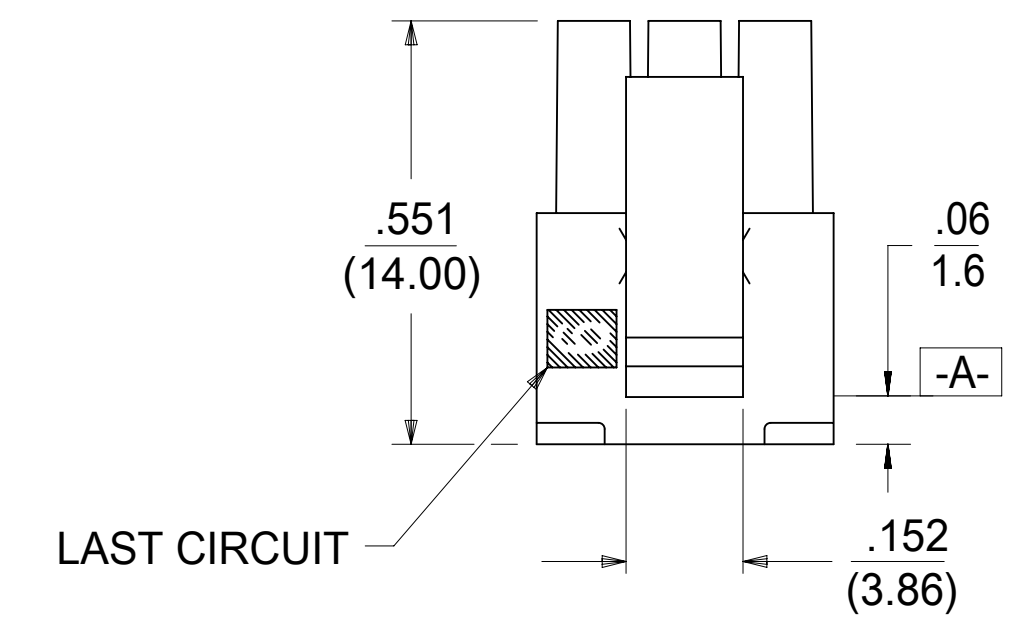
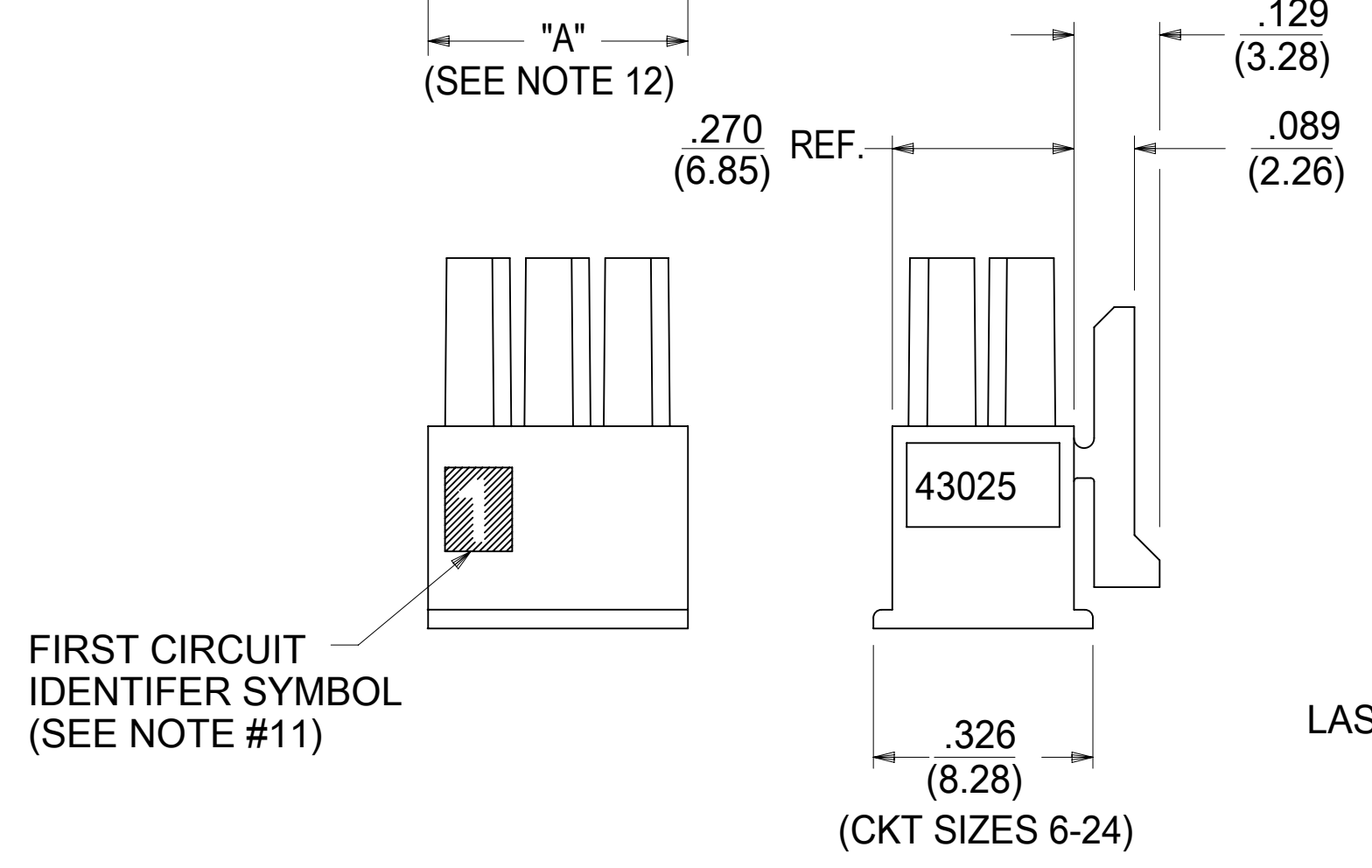
CKT. NO.	DIM. "A" +.014 -.010 +0.35 -0.25	DIM. "B"
2	.152(3.86)	N/A
4	.270(6.85)	.118(3.00)
6	.388(9.85)	.236(6.00)
8	.506(12.85)	.354(9.00)
10	.624(15.85)	.472(12.00)
12	.742(18.85)	.591(15.00)
14	.860(21.85)	.709(18.00)
16	.978(24.85)	.827(21.00)
18	1.096(27.85)	.945(24.00)
20	1.215(30.85)	1.063(27.00)
22	1.333(33.85)	1.181(30.00)
24	1.451(36.85)	1.299(33.00)



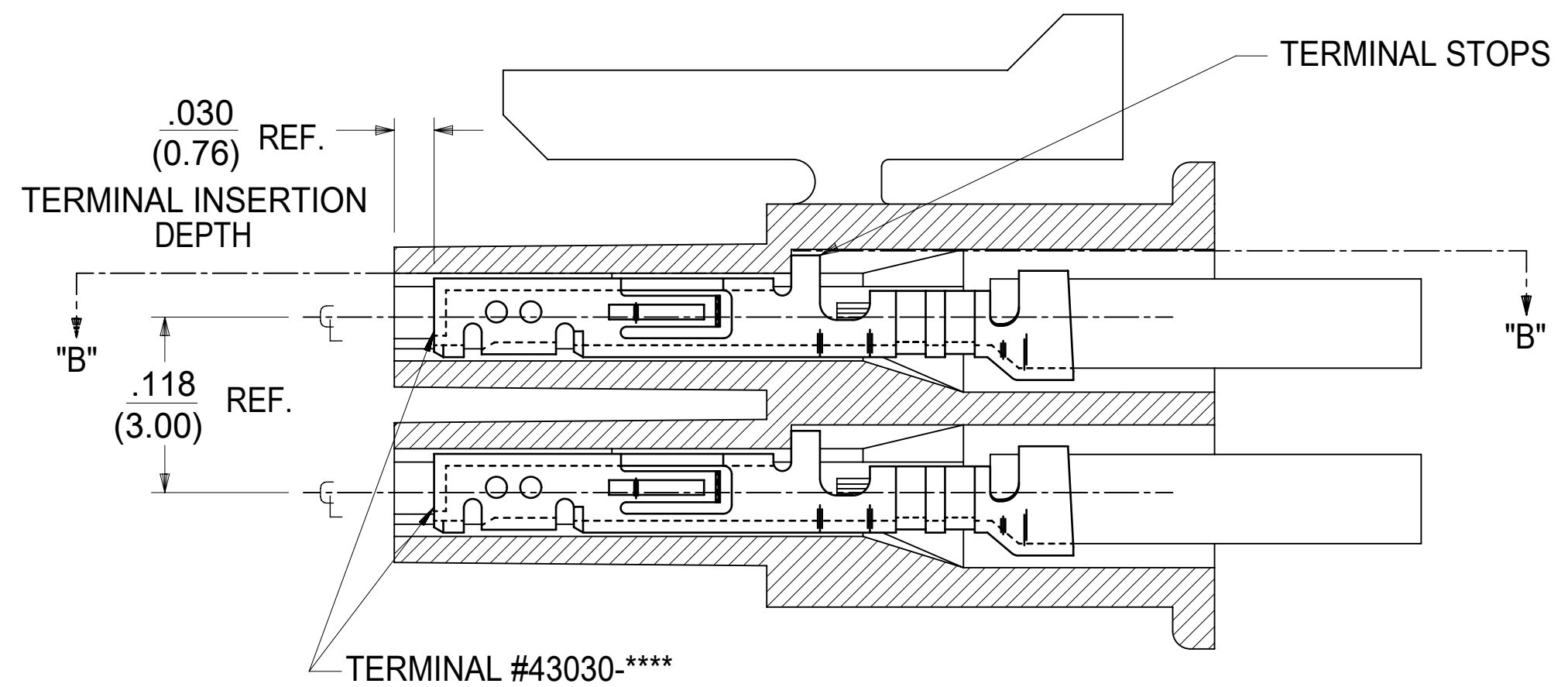
HOUSING SHOWN WITH FIRST CIRCUIT IDENTIFIER RIB (SEE NOTE #11)



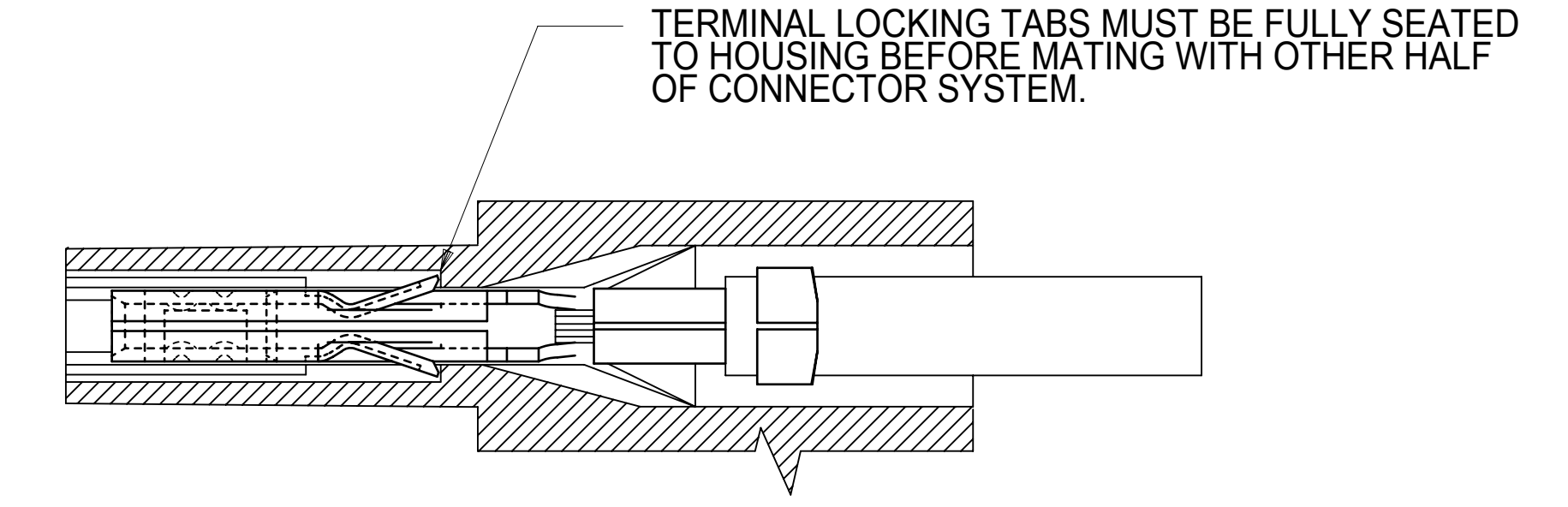
MATED MICRO-FIT CONNECTOR



RECEPTACLE ISO VIEW (8 CURCUIT SHOWN) (SEE NOTE 9 FOR TESTING)



SECTION "A"-"A" WITH TERMINAL (SCALE 10:1)



SECTION "B"-"B" (SCALE 10:1)

- NOTES:
- 1) HOUSING MATERIAL: UNFILLED NYLON, RATED UL 94V-0, COLOR IS BLACK, (LOW HALOGEN)
  - 2) FINISH: N/A
  - 3) PRODUCT SPECIFICATION: PS-43045
  - 4) PACKAGING SPECIFICATION: PK-43025-001
  - 5) THIS RECEPTACLE MATES WITH 43020, 43045
  - 6) THIS RECEPTACLE TO BE USED WITH MOLEX FEMALE TERMINAL SERIES 43030 OR 46235. SEE SECTION "A"-"A" FOR TERMINAL ORIENTATION IN HOUSING.
  - 7) FOR OVERMOLDING PARAMETERS SEE APPLICATION SPECIFICATION 430250000-AS
  - 8) TOP PULL TABS ARE NOT AVAILABLE ON 2 AND 4 CIRCUIT PARTS
  - 9) MOLEX RECOMMENDS THE USE OF MICRO-FIT TEST PLUG, SERIES NO. 44242-\*\*\*\* WHENEVER TESTING IS PERFORMED. TEST PLUGS MUST NOT BE USED FOR MAKE OR BREAK UNDER LOAD. MOLEX DOES NOT RECOMMEND USING STANDARD MATING COMPONENTS FOR HARNESS TESTING PURPOSES.
  - 10) SOME HOUSINGS MAY HAVE A SMALL GATE BLEMISH NEAR THE GATE THAT DOES NOT AFFECT FUNCTIONALITY
  - 11) HOUSINGS HAVE EITHER AN IDENTIFIER RIB OR ENGRAVED "1" SYMBOL TO INDICATE CIRCUIT #1. IDENTIFIER TYPE IS TOOL DEPENDENT AND NOT SELECTABLE.
  - 12) DIMENSION 'A' MEASURED AT DATUM
  - 13) THIS PART CONFORMS TO CLASS 'B' REQUIREMENTS OF COSMETIC SPECIFICATION PS-45499-002
  - 14) TEXT ON PART IS FOR REFERENCE ONLY. TEXT AND TEXT LOCATION MAY VARY DEPENDING ON PART NUMBER AND/OR TOOL.

SYMBOLS	THIS DRAWING CONTAINS INFORMATION THAT IS PROPRIETARY TO MOLEX ELECTRONIC TECHNOLOGIES, LLC AND SHOULD NOT BE USED WITHOUT WRITTEN PERMISSION		CURRENT REV DESC: UPDATE NOTE 7	
	DIMENSION UNITS	SCALE		
▽ = 0	IN/MM	NTS		
▽ = 0	GENERAL TOLERANCES (UNLESS SPECIFIED)			
▽ = 0		MM	INCH	
▽ = 0	4 PLACES	±	±	
▽ = 0	3 PLACES	±	± 0.01	
▽ = 0	2 PLACES	±	± 0.014	
▽ = 0	1 PLACE	±	± 0.35	
▽ = 0	0 PLACES	±	±	
▽ = 0	ANGULAR TOL		± 0.5 °	
▽ = 0	DRAFT WHERE APPLICABLE MUST REMAIN WITHIN DIMENSIONS			
▽ = 0	THIRD ANGLE PROJECTION			
		DRAWING	SERIES	
		D-SIZE	43025	
		MATERIAL NUMBER	CUSTOMER	
		SEE CHART	GENERAL MARKET	
		SHEET NUMBER		
		1 OF 1		



MICRO-FIT (3.0) RECEPTACLE, LOW HALOGEN DUAL ROW / 2 THRU 24 CIRCUIT

PRODUCT CUSTOMER DRAWING

DOCUMENT NUMBER	DOC TYPE	DOC PART	REVISION
SD-43025-001	PSD	001	A8

## X-ON Electronics

Largest Supplier of Electrical and Electronic Components

*Click to view similar products for [Headers & Wire Housings](#) category:*

*Click to view products by [Molex](#) manufacturer:*

Other Similar products are found below :

[892-18-020-10-001101](#) [58102-G61-06LF](#) [582553-1](#) [0009485154](#) [009176003701906](#) [0050291907](#) [LY20-4P-DT1-P1E-BR](#) [02.125.8002.8](#)  
[609-3404](#) [61062-3](#) [622-0430](#) [622-3653LF](#) [63453-116](#) [636-1030](#) [636-1427](#) [636-3427](#) [636-4007](#) [641938-9](#) [641991-4](#) [644827-2](#) [65817-010LF](#)  
[65817-015LF](#) [65863-015LF](#) [66207-023LF](#) [67095-007LF](#) [67601157](#) [68648-049](#) [70.362.1628.0](#) [70-4210](#) [70-4226B](#) [70-4853B](#) [707-5020](#) [707-5028](#) [71.350.2428.0](#) [71918-208LF](#) [71961-016LF](#) [733-134](#) [733-162](#) [754199-000](#) [760-3052](#) [787-8014-00](#) [79531-3000](#) [FCN-360C032-B](#) [FCN-367T-T012/H](#) [FCN-723D010/2](#) [80.063.4001.1](#) [800-90-001-10-001000](#) [800-90-010-10-002000](#) [801-43-002-10-013000](#) [801-43-006-10-002000](#)