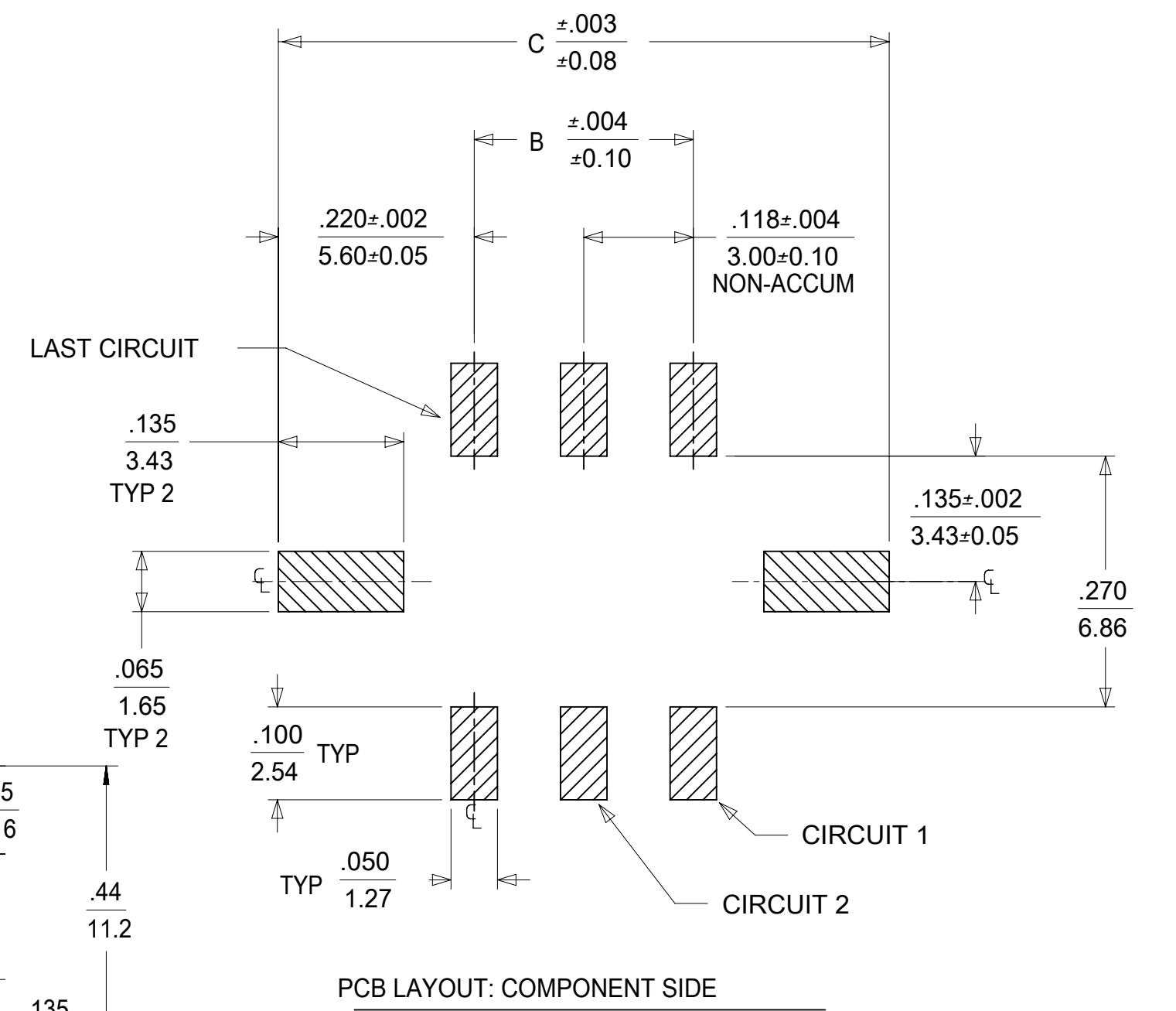
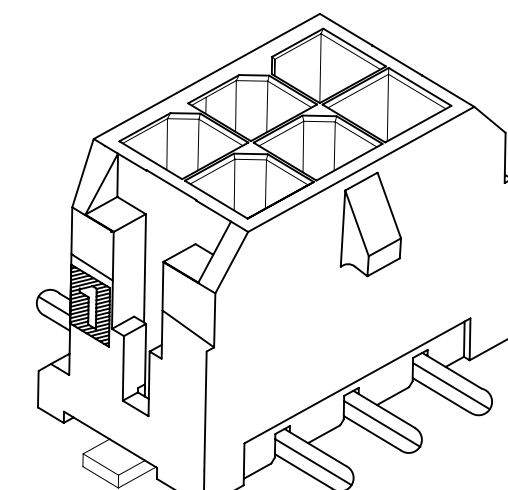


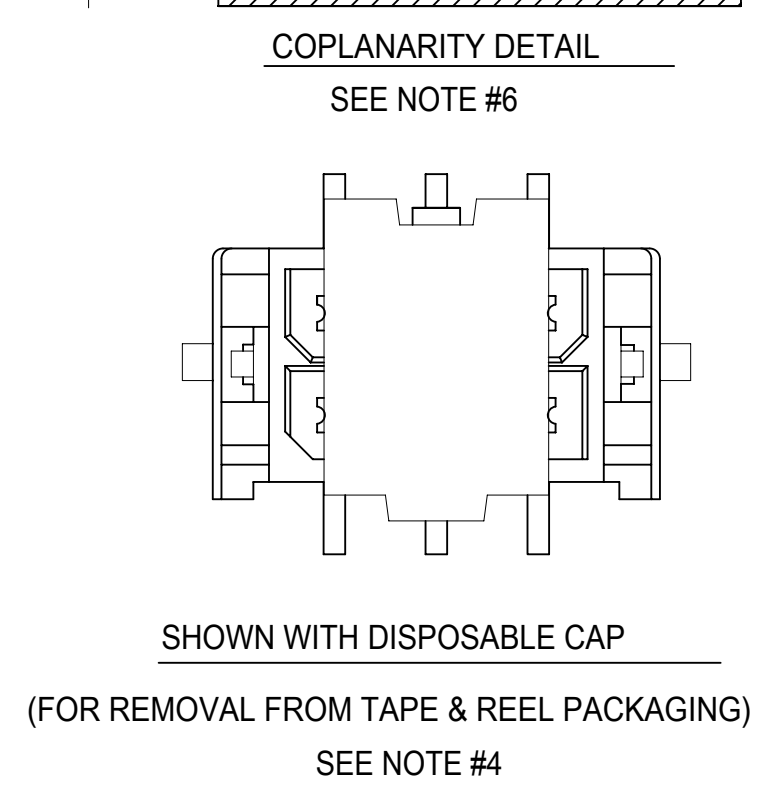
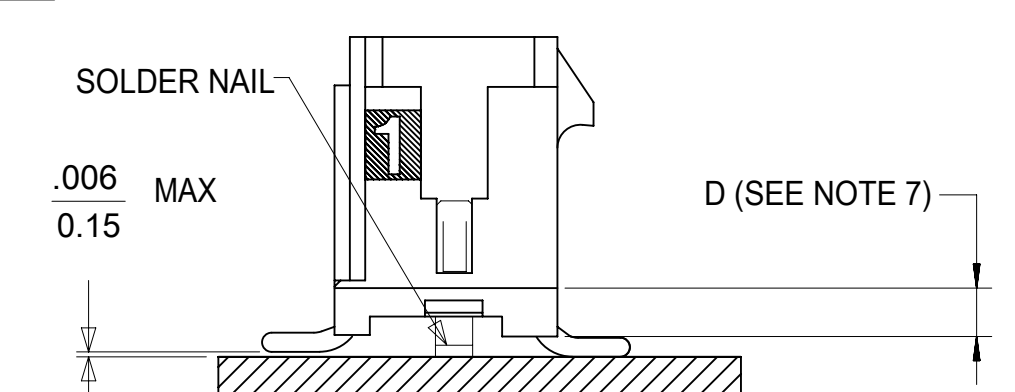
- NOTES:**
- HOUSING MATERIAL: GLASS FILLED LIQUID CRYSTAL POLYMER, UL94V-0, COLOR: BLACK
TERMINAL MATERIAL: BRASS ALLOY
 - FINISH: A = .000060/(0.00152) MIN. REFLOWED MATTE TIN OVER .000050/(0.00127) MIN. NICKEL PLATE. (FINISH IS BRIGHT IN APPEARANCE, THICKNESS AS APPLIED PRIOR TO REFLOW)
B = .000015/(0.00038) MIN. SELECT GOLD IN CONTACT AREA; .000100/(0.00254) MIN. SELECT MATTE TIN ON SOLDER TAILS; BOTH OVER .000050/(0.00127) MIN. NICKEL PLATE.
C = .000030/(0.00076) MIN. SELECT GOLD IN CONTACT AREA; .000100/(0.00254) MIN. SELECT MATTE TIN ON SOLDER TAILS; BOTH OVER .000050/(0.00127) MIN. NICKEL PLATE.
 - PRODUCT SPECIFICATION: PS-43045
 - TAPE AND REEL PACK: SEE MOLEX DRAWING 430450006-PK
NON-STANDARD TAPE (SHALLOW POCKET), NOT ALL CIRCUIT SIZES AVAILABLE, SEE DRAWING SD-43045-007 FOR STANDARD TAPE & PACKAGING
 - MATES WITH MICRO FIT (3.0) RECEPTACLE SERIES 43025
 - THE COPLANARITY DIMENSION IS ESTABLISHED BY PLACING THE ASSEMBLY ON A FLAT SURFACE. THE DISTANCE FROM THAT SURFACE TO THE BOTTOM OF ANY TERMINAL OR SOLDER NAIL MUST NOT EXCEED .006/0.15
 - CIRCUIT SIZES 2-6: "D" IS .265/6.74 FOR .010/0.25 STEP
CIRCUIT SIZES 8-24: "D" IS .063/1.60 FOR .010/0.25 STEP.
 - THIS PART CONFORMS TO CLASS B REQUIREMENTS OF COSMETIC SPECIFICATION PS-45499-002.
 - TEXT ON PART IS FOR REFERENCE ONLY. TEXT AND TEXT LOCATION MAY VARY DEPENDING ON PART NUMBER AND/OR TOOL.

| | | | | |
|-----------------|----|--------------|------------|----------|
| DOCUMENT STATUS | P1 | RELEASE DATE | 2019/08/15 | 16:28:59 |
|-----------------|----|--------------|------------|----------|



"X" - DENOTES NOT AVAILABLE, CONSULT FACTORY
SEE NOTE #4

| | FINISH A | FINISH B | FINISH C |
|------|--------------|--------------|--------------|
| CKTS | MATERIAL NO: | MATERIAL NO: | MATERIAL NO: |
| 02 | 43045-0239 | 43045-0243 | 43045-0237 |
| 04 | 43045-0439 | 43045-0443 | 43045-0437 |
| 06 | X 43045-0639 | X 43045-0643 | X 43045-0637 |
| 08 | 43045-0839 | 43045-0843 | 43045-0837 |
| 10 | 43045-1039 | 43045-1043 | 43045-1037 |
| 12 | 43045-1239 | 43045-1243 | 43045-1237 |
| 14 | 43045-1439 | 43045-1443 | 43045-1437 |
| 16 | 43045-1639 | 43045-1643 | 43045-1637 |
| 18 | X 43045-1839 | X 43045-1843 | X 43045-1837 |
| 20 | 43045-2039 | 43045-2043 | 43045-2037 |
| 22 | X 43045-2239 | X 43045-2243 | X 43045-2237 |
| 24 | X 43045-2439 | X 43045-2443 | X 43045-2437 |



| CKTS | A | B | C |
|------|----------------|----------------|----------------|
| 02 | .262 6.65 | NA | .441 11.20 |
| 04 | .380 9.65 | .118 3.00 | .559 14.20 |
| 06 | .498 12.65 | .236 6.00 | .677 17.20 |
| 08 | .616 15.65 | .354 9.00 | .795 20.20 |
| 10 | .734 18.65 | .472 12.00 | .913 23.20 |
| 12 | .852 21.65 | .591 15.00 | 1.031 26.20 |
| 14 | .970 24.65 | .709 18.00 | 1.150 29.20 |
| 16 | 1.088 27.65 | .827 21.00 | 1.268 32.20 |
| 18 | 1.206 30.65 | .945 24.00 | 1.386 35.20 |
| 20 | 1.325 33.65 | 1.063 27.00 | 1.504 38.20 |
| 22 | 1.443 36.65 | 1.181 30.00 | 1.622 41.20 |
| 24 | 1.561 39.65 | 1.299 33.00 | 1.740 44.20 |

THIS DRAWING CONTAINS INFORMATION THAT IS PROPRIETARY TO MOLEX ELECTRONIC TECHNOLOGIES, LLC AND SHOULD NOT BE USED WITHOUT WRITTEN PERMISSION

| | | | |
|--|------------------------|-------------------|----------------------|
| DIMENSION UNITS | SCALE | CURRENT REV | DESC: UPDATE PK SPEC |
| IN/MM | NTS | | |
| GENERAL TOLERANCES (UNLESS SPECIFIED) | | EC NO: 611607 | |
| 4 PLACES | ± | DRWN: JEHRISMAN | 2019/03/18 |
| 3 PLACES | ± | CHK'D: SSOUSEK | 2019/08/09 |
| 2 PLACES | ± 0.25 | APPR: FSMITH | 2019/08/15 |
| 1 PLACE | ± 0.36 | INITIAL REVISION: | |
| 0 PLACES | ± | DRWN: SAMIEC | 2000/03/15 |
| ANGULAR TOL | ± 0.5 ° | APPR: EDGLEW | 2000/03/15 |
| DRAFT WHERE APPLICABLE MUST REMAIN WITHIN DIMENSIONS | THIRD ANGLE PROJECTION | DRAWING | SERIES |
| | | C-SIZE | 43045 |

molex

MICROFIT(3.0) VERTICAL SMT NAILS SHALLOW TAPE / CAP / DUAL ROW HEADER

PRODUCT CUSTOMER DRAWING

| | | | |
|-----------------|----------|----------|----------|
| DOCUMENT NUMBER | DOC TYPE | DOC PART | REVISION |
| SD-43045-012 | PSD | 001 | G3 |

| | | |
|-----------------|----------------|--------------|
| MATERIAL NUMBER | CUSTOMER | SHEET NUMBER |
| SEE CHART | GENERAL MARKET | 1 OF 1 |

X-ON Electronics

Largest Supplier of Electrical and Electronic Components

Click to view similar products for [Headers & Wire Housings](#) category:

Click to view products by [Molex](#) manufacturer:

Other Similar products are found below :

[892-18-020-10-001101](#) [58102-G61-06LF](#) [582553-1](#) [0009485154](#) [009176003701906](#) [0050291907](#) [LY20-4P-DT1-P1E-BR](#) [02.125.8002.8](#)
[609-3404](#) [61062-3](#) [622-0430](#) [622-3653LF](#) [63453-116](#) [636-1030](#) [636-1427](#) [636-3427](#) [636-4007](#) [641938-9](#) [641991-4](#) [644827-2](#) [65817-010LF](#)
[65817-015LF](#) [65863-015LF](#) [66207-023LF](#) [67095-007LF](#) [67601157](#) [68648-049](#) [70.362.1628.0](#) [70-4210](#) [70-4226B](#) [70-4853B](#) [707-5020](#) [707-](#)
[5028](#) [71.350.2428.0](#) [71918-208LF](#) [71961-016LF](#) [733-134](#) [733-162](#) [754199-000](#) [760-3052](#) [787-8014-00](#) [79531-3000](#) [FCN-360C032-B](#) [FCN-](#)
[367T-T012/H](#) [FCN-723D010/2](#) [80.063.4001.1](#) [800-90-001-10-001000](#) [800-90-010-10-002000](#) [801-43-002-10-013000](#) [801-43-006-10-002000](#)