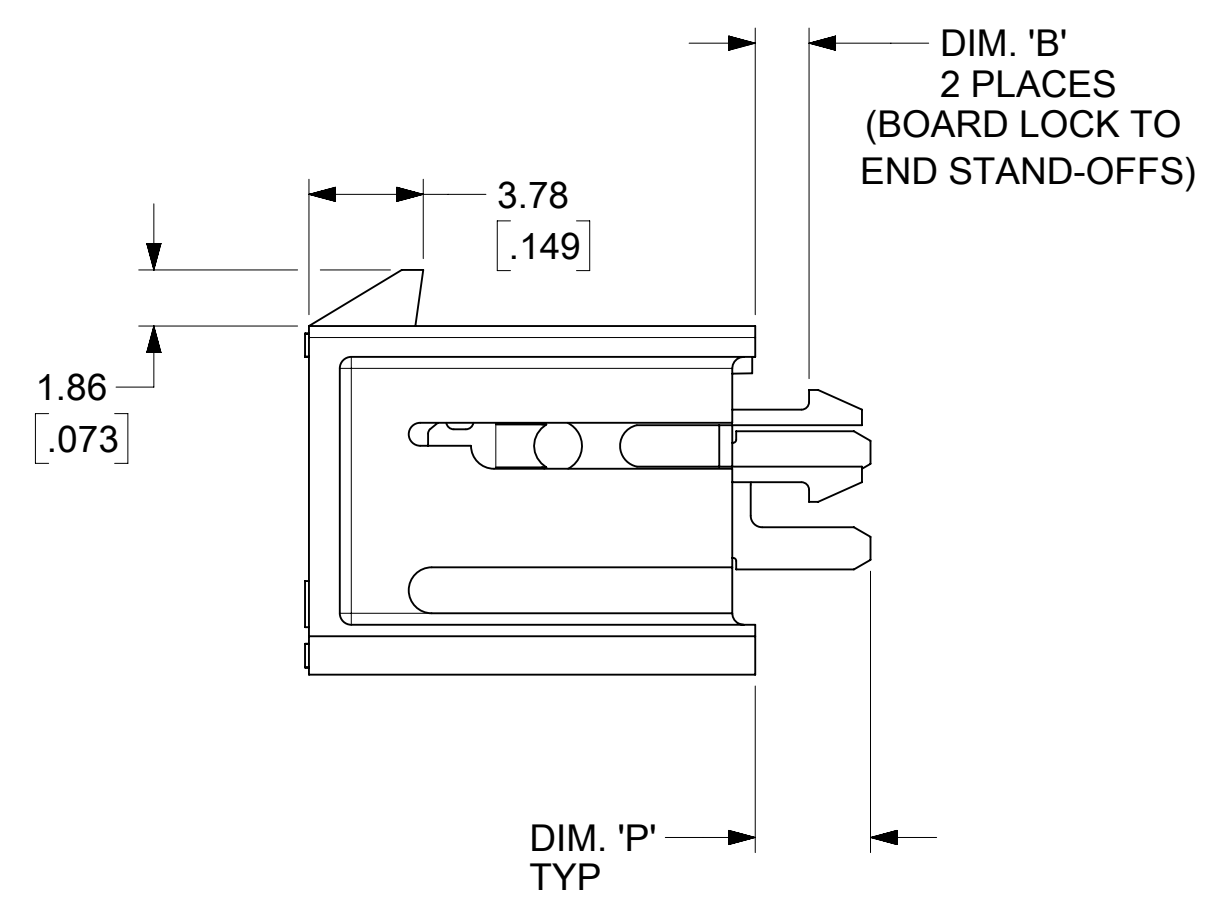
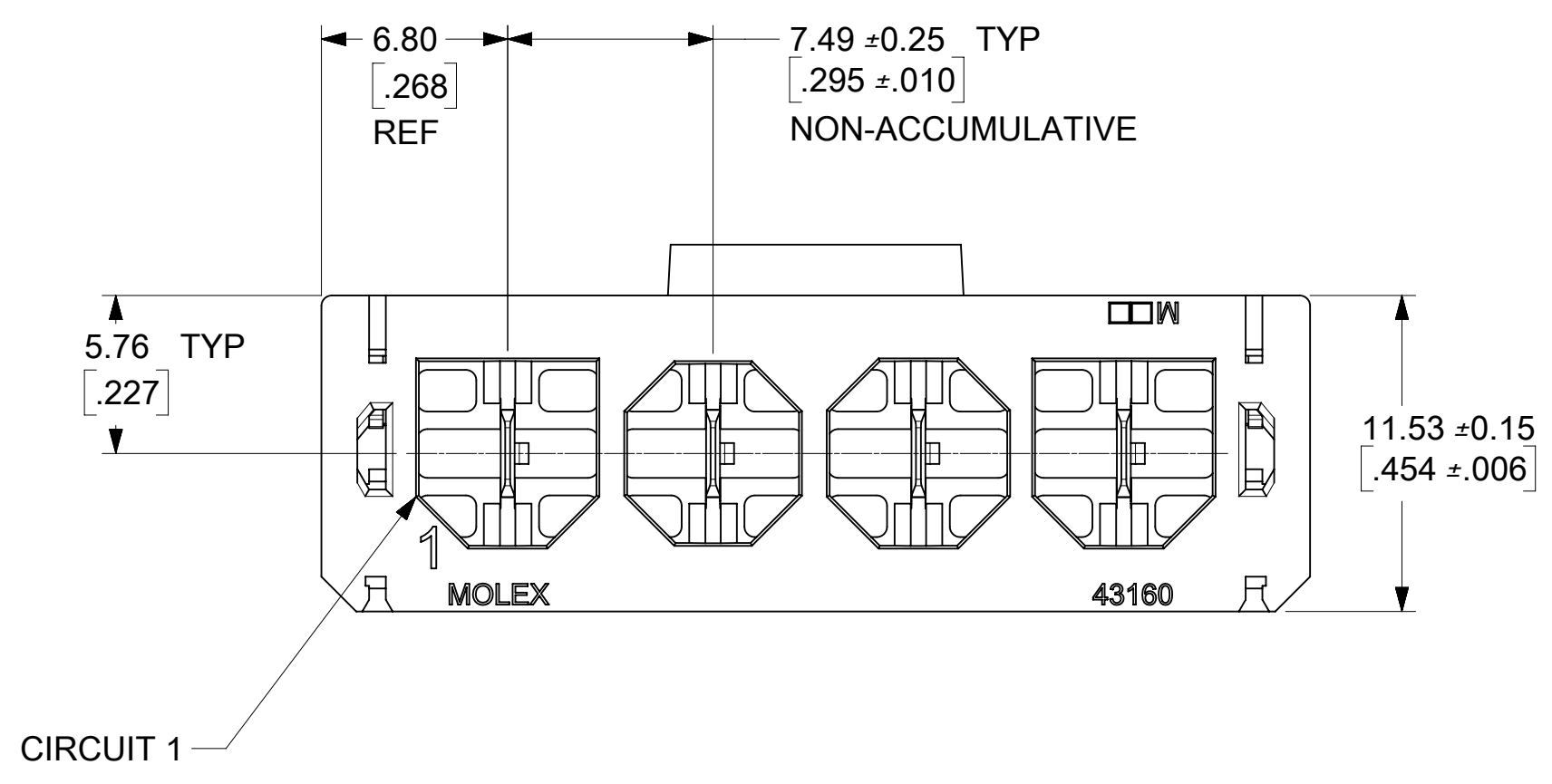
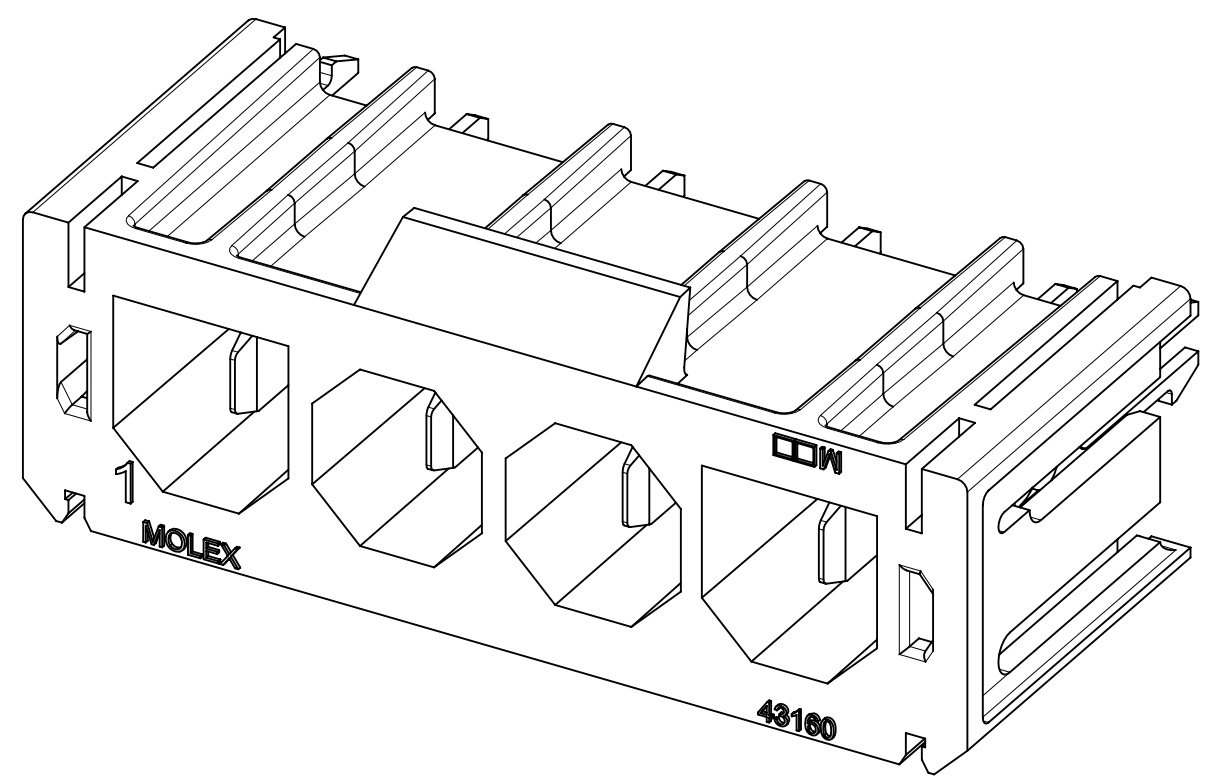
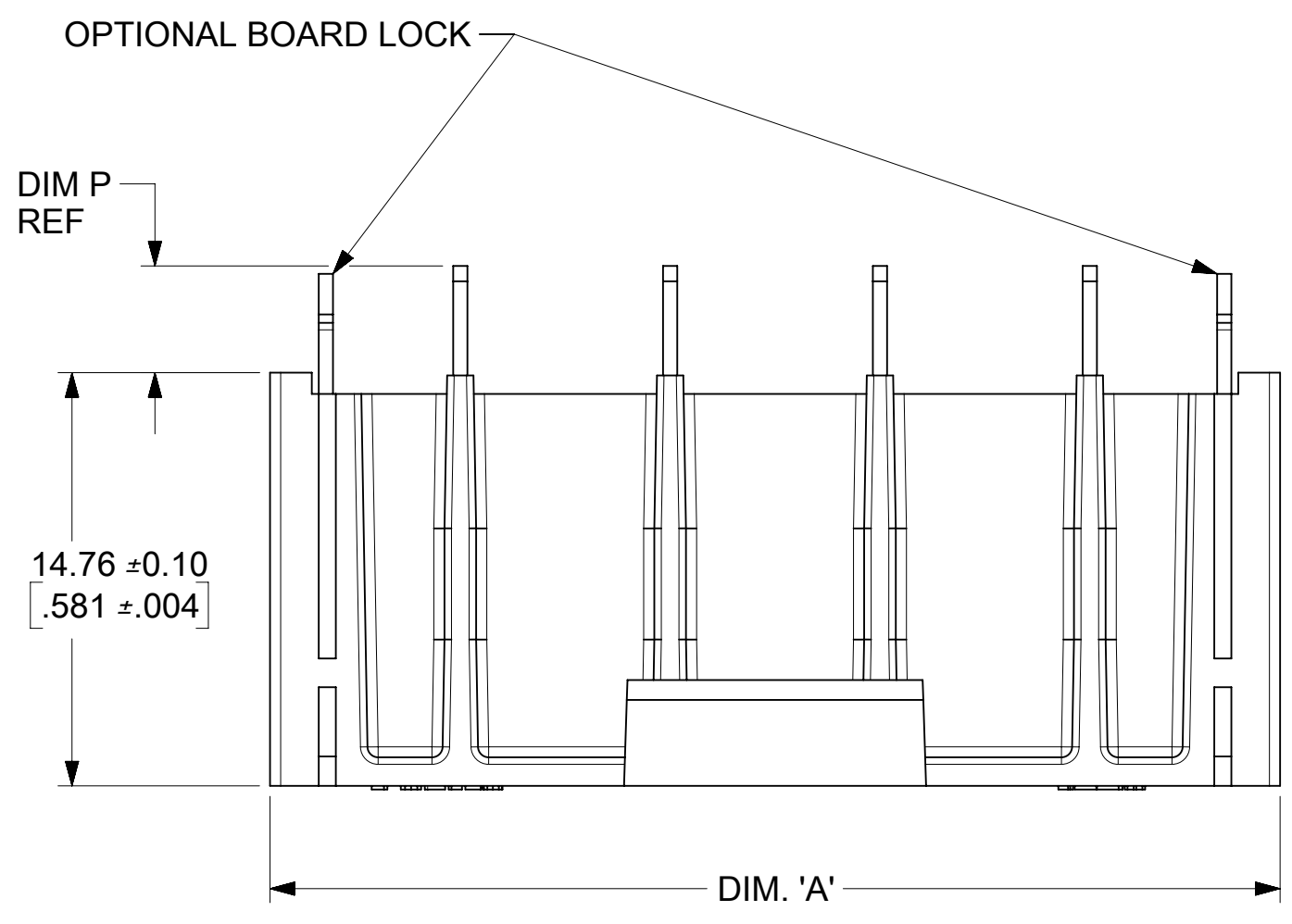


CIRCUITS	DIM. 'A' ± $\frac{0.33}{.013}$
2	$\frac{21.08}{.830}$
3	$\frac{28.58}{1.125}$
4	$\frac{36.07}{1.420}$
5	$\frac{43.56}{1.715}$
6	$\frac{51.05}{2.010}$
8	$\frac{66.04}{2.600}$



SHEETS 1 AND 2: VERTICAL HEADERS
SHEETS 3 AND 4: RIGHT ANGLE HEADERS
SHEET 5: POLARIZATION

- INSULATOR MATERIAL: 30% GLASS FILLED 4/6 NYLON UL94V-0, COLOR: BLACK
TERMINAL MATERIAL : BRASS
- TERMINAL FINISH: OVERALL REFLOWED MATTE TIN: 0.00152/.000060 MIN OVER 0.00127/.000050 MIN NICKEL.
- PRODUCT SPECIFICATION PS-44441-9999.
- PACKAGING: SEE CHART
- THIS HEADER MATES WITH 44441 OR 43335 SERIES RECEPTACLE HOUSINGS.
- THIS PART CONFORMS TO CLASS B REQUIREMENTS OF MOLEX COSMETIC SPECIFICATION PS-45499-002
- TEXT ON PART IS FOR REFERENCE ONLY. TEXT AND TEXT LOCATION MAY VARY DEPENDING ON PART NUMBER AND/OR TOOL.
- PART DESIGNED IN INCHES.

SYMBOLS		THIS DRAWING CONTAINS INFORMATION THAT IS PROPRIETARY TO MOLEX ELECTRONIC TECHNOLOGIES, LLC AND SHOULD NOT BE USED WITHOUT WRITTEN PERMISSION	
DIMENSION UNITS	SCALE	CURRENT REV DESC: CORRECTED DIMENSION UNITS IN TITLE BLOCK	
$\nabla = 0$	MM/IN 4:1		
$\nabla = 0$	GENERAL TOLERANCES (UNLESS SPECIFIED)		
$\nabla = 0$		EC NO: 637904	
$\nabla = 0$		DRWN: BZAPPA	2020/05/19
$\nabla = 0$		CHK'D: MKIPPER	2020/05/21
$\nabla = 0$		APPR: FSMITH	2020/05/26
$\nabla = 0$		INITIAL REVISION:	
$\nabla = 0$		DRWN: MKIPPER	2019/09/06
$\nabla = 0$		APPR: FSMITH	2019/09/17
$\nabla = 0$		ANGULAR TOL ± 0.5°	
$\nabla = 0$	DRAFT WHERE APPLICABLE MUST REMAIN WITHIN DIMENSIONS	THIRD ANGLE PROJECTION	DRAWING SERIES
		C-SIZE	43160
		MATERIAL NUMBER	CUSTOMER
		SEE CHARTS	GENERAL MARKET
		DOCUMENT NUMBER	DOC TYPE DOC PART REVISION
		431600001-SD	PSD 000 A1
		SHEET NUMBER	
		1 OF 5	

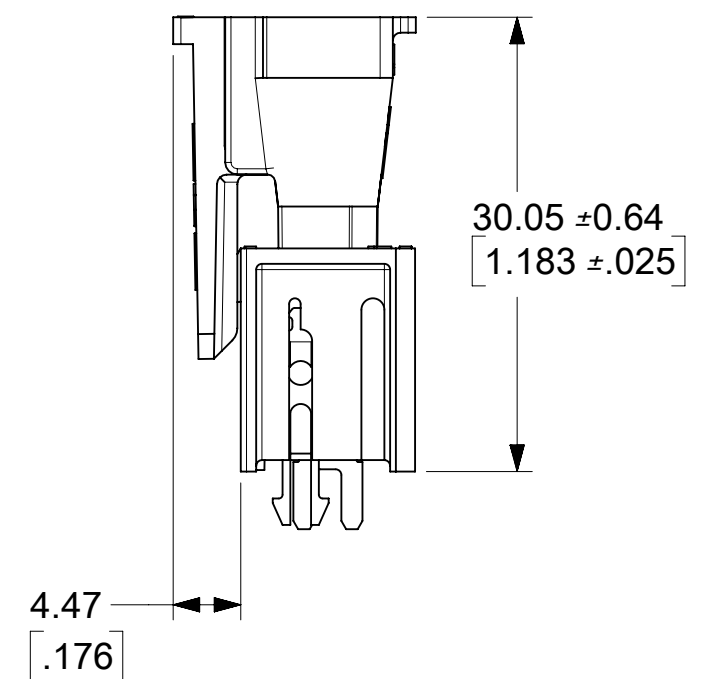
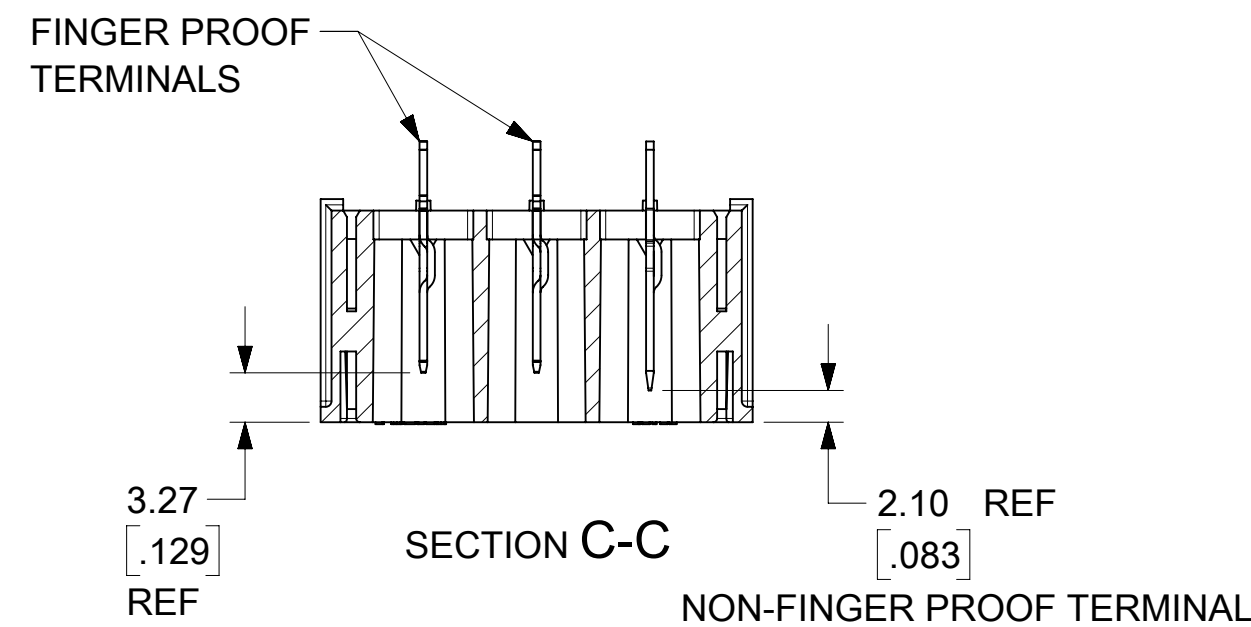
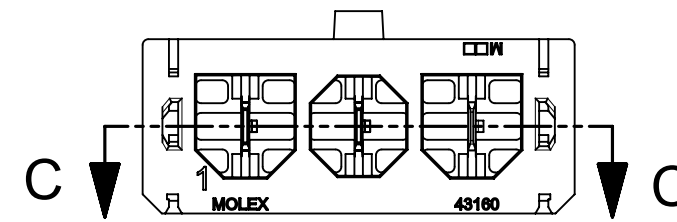
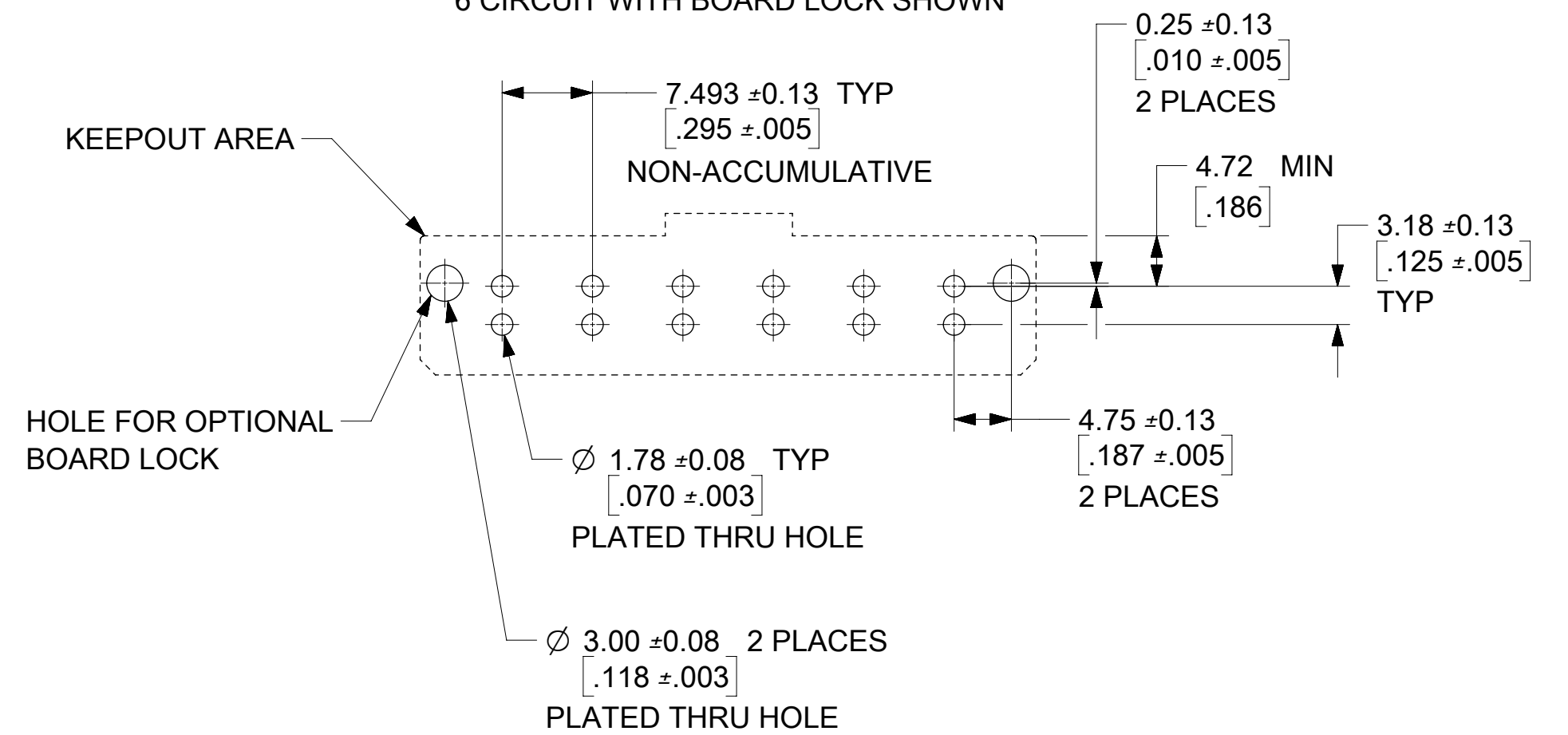
DOCUMENT STATUS	P1	RELEASE DATE	2020/05/26 17:59:01
12	11	10	9

THIS DRAWING REPLACES SDA-43160-****

VERTICAL HEADER ASSEMBLIES					
ASSEMBLY PART NO.	CIRCUITS	DIM. 'P' ± $\frac{0.51}{.020}$	BOARD LOCK	DIM. 'B' ± $\frac{0.10}{.004}$	PACKAGING SPEC.
43160-0102	2	3.81/(.150) (SHORT TAIL)	NO	N/A	PK-43160-0010
43160-0103	3				
43160-0104	4				
43160-0105	5				
43160-0106	6				
43160-0108	8				
43160-0302	2	5.33/(.210) (LONG TAIL)	NO	N/A	PK-43789-001
43160-0303	3				
43160-0304	4				
43160-0305	5				
43160-0306	6				
43160-0308	8				
43160-2102	2	3.81/(.150) (SHORT TAIL)	YES	1.78/(.070) FOR 1.57/(.062) PCB	PK-43789-001
43160-2103	3				
43160-2104	4				
43160-2105	5				
43160-2106	6				
43160-2108	8				
43160-4102	2	3.81/(.150) (SHORT TAIL)	YES	2.59/(.102) FOR 2.39/(.094) PCB	PK-43789-001
43160-4103	3				
43160-4104	4				
43160-4105	5				
43160-4106	6				
43160-4108	8				
43160-4302	2	5.33/(.210) (LONG TAIL)	YES	2.59/(.102) FOR 2.39/(.094) PCB	PK-43789-001
43160-4303	3				
43160-4304	4				
43160-4305	5				
43160-4306	6				
43160-4308	8				
43160-6302	2	5.33/(.210) (LONG TAIL)	YES	3.38/(.133) FOR 3.18/(.125) PCB	PK-43789-001
43160-6303	3				
43160-6304	4				
43160-6305	5				
43160-6306	6				
43160-6308	8				
ASSEMBLY PART NO.	CIRCUITS	DIM. 'P'	BOARD LOCK	DIM. 'B'	PACKAGING SPEC.

RECOMMENDED P.C. BOARD LAYOUT FOR VERTICAL HEADERS

6 CIRCUIT WITH BOARD LOCK SHOWN



HEADER WITH OPTIONAL FINGER PROOF TERMINAL
43160-9002 SHOWN

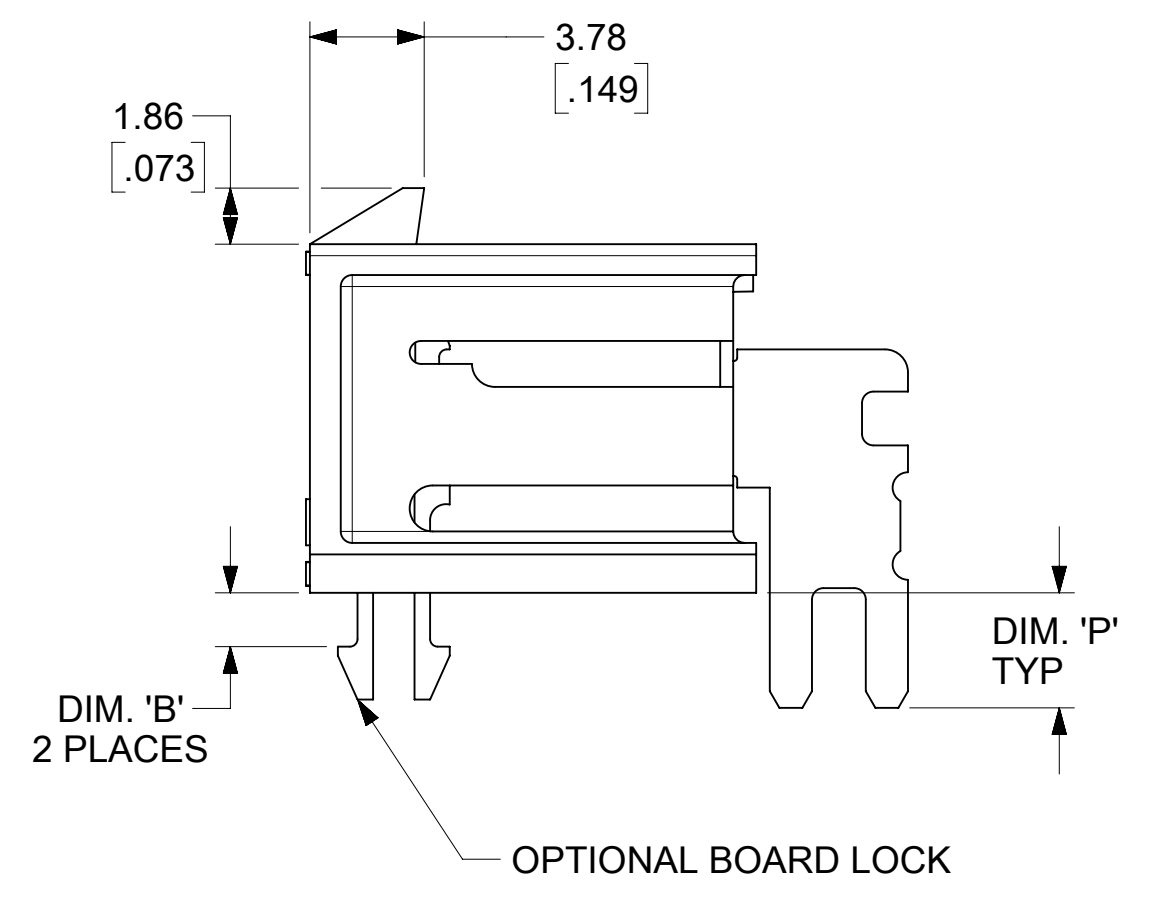
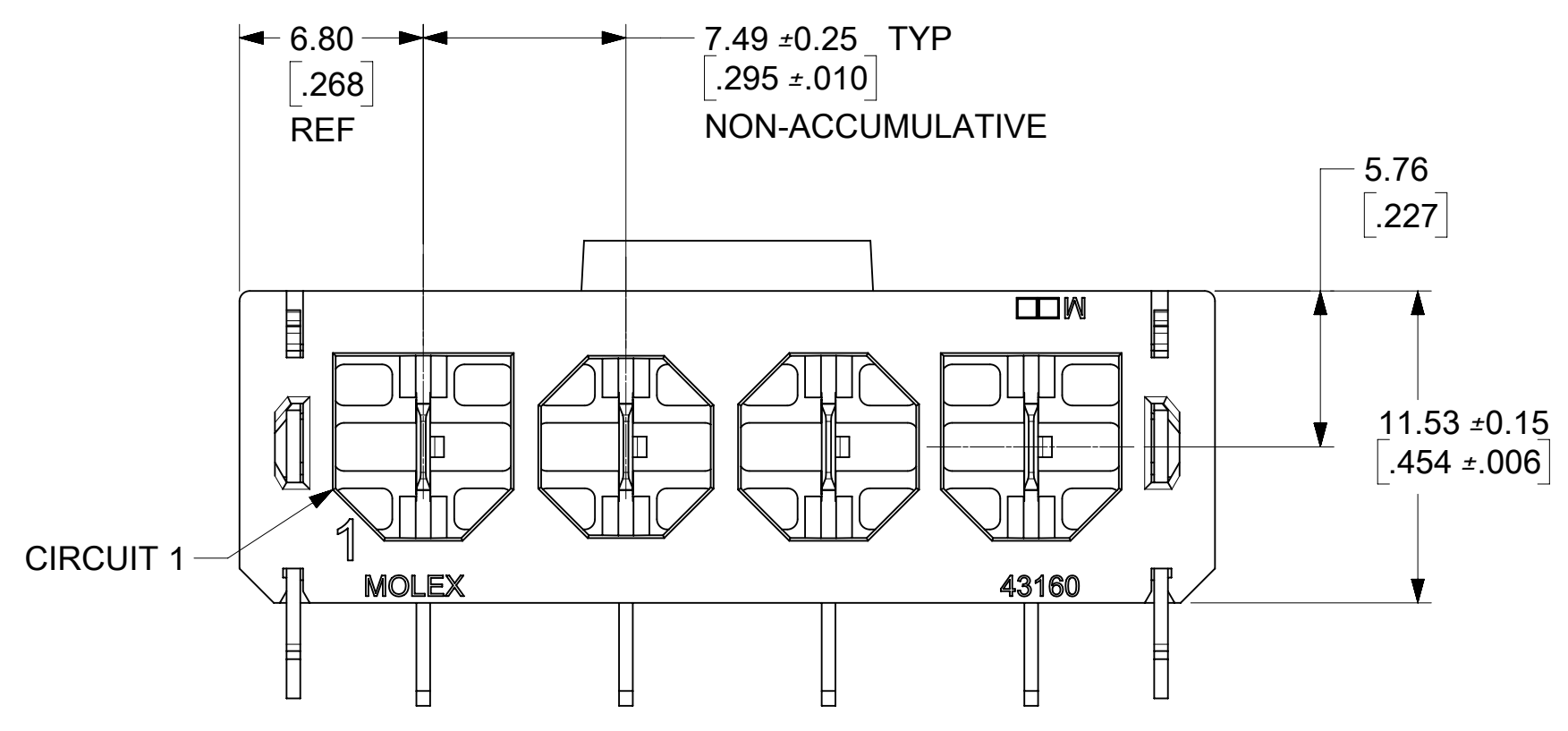
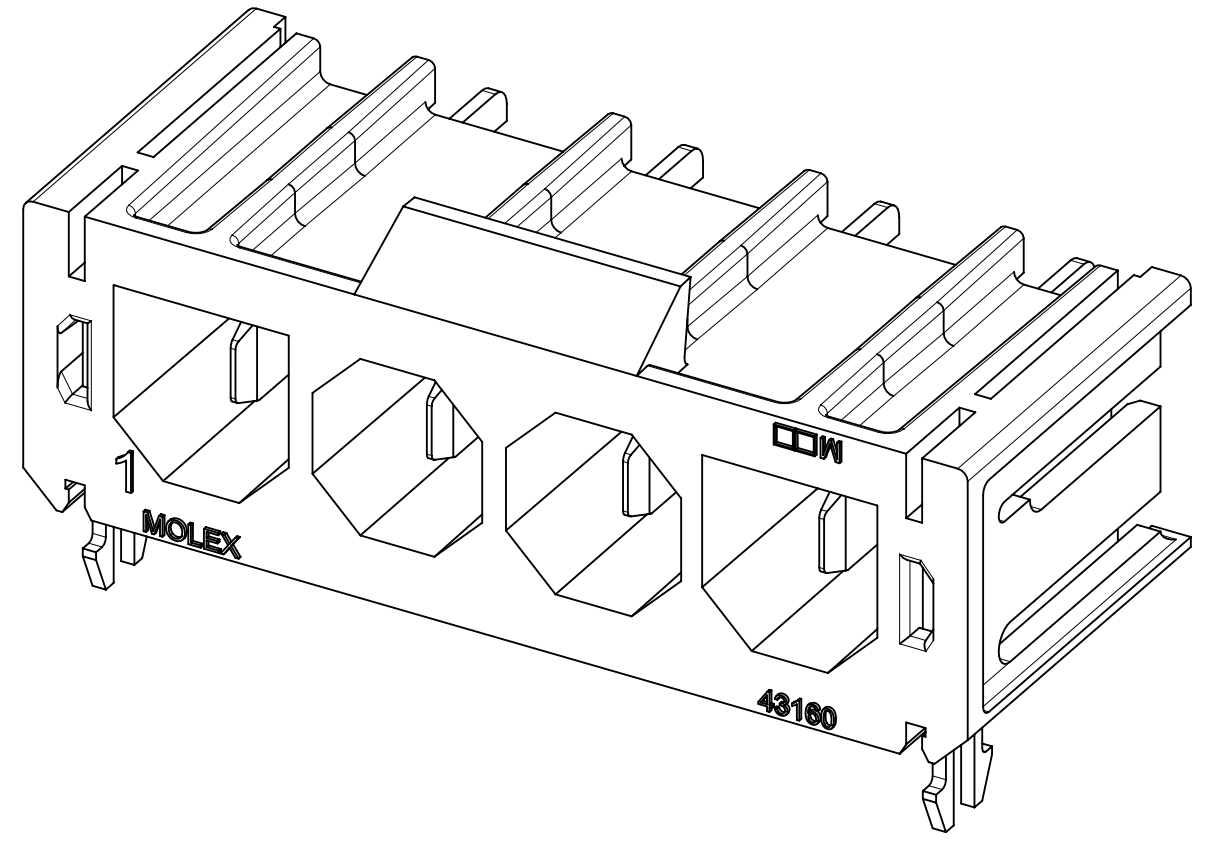
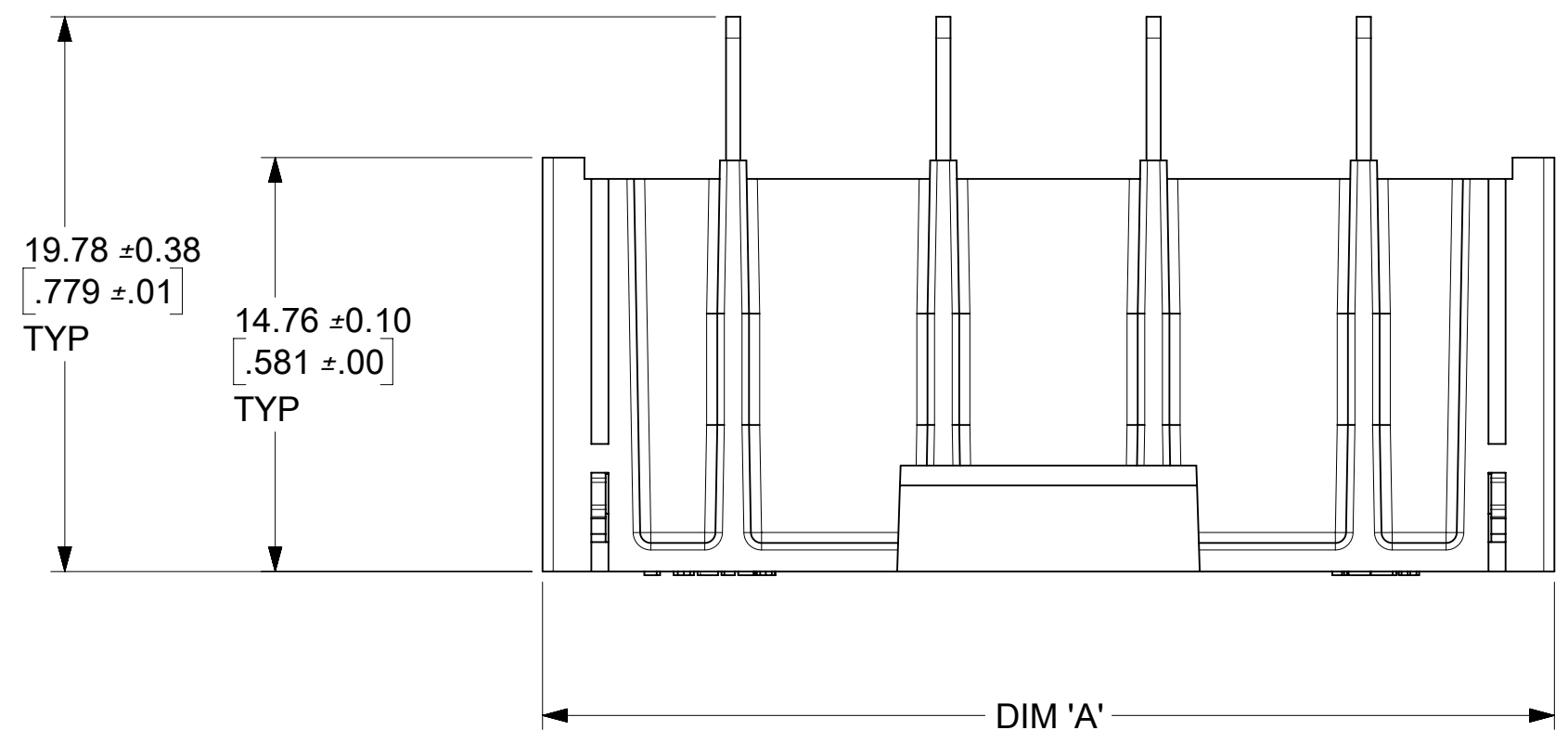
MATED DIMENSIONS VERTICAL HEADERS

FINGER PROOF VERTICAL HEADER ASSEMBLIES

ASSEMBLY PART NO.	CIRCUITS	FINGER PROOF TERMINAL CIRCUIT(S)	DIM. 'P' ± $\frac{0.51}{.020}$	BOARD LOCK	DIM. 'B' ± $\frac{0.10}{.004}$	PACKAGING SPEC.
43160-9002	3	1, 2	3.81/(.150) (SHORT TAIL)	NO	N/A	PK-43160-0010

SYMBOLS		THIS DRAWING CONTAINS INFORMATION THAT IS PROPRIETARY TO MOLEX ELECTRONIC TECHNOLOGIES, LLC AND SHOULD NOT BE USED WITHOUT WRITTEN PERMISSION	
▽ = 0	MM/IN	SCALE	CURRENT REV DESC: CORRECTED
▽ = 0	2:1		DIMENSION UNITS IN TITLE BLOCK
▽ = 0	GENERAL TOLERANCES (UNLESS SPECIFIED)		
▽ = 0	4 PLACES ±	MM	INCH
▽ = 0	3 PLACES ±	± 0.005	
▽ = 0	2 PLACES ±	± 0.13	± 0.01
▽ = 0	1 PLACE ±	± 0.25	±
▽ = 0	0 PLACES ±	±	±
▽ = 0	ANGULAR TOL	± 0.5 °	
▽ = 0	DRAFT WHERE APPLICABLE MUST REMAIN WITHIN DIMENSIONS		
▽ = 0	THIRD ANGLE PROJECTION	DRAWING	SERIES
▽ = 0		C-SIZE	43160
EC NO: 637904		DRWN: BZAPPA	2020/05/19
DRWN: MKIPPER		CHK'D: MKIPPER	2020/05/21
APPR: FSMITH		APPR: FSMITH	2020/05/26
INITIAL REVISION:		DRWN: MKIPPER	2019/09/06
APPR: FSMITH		APPR: FSMITH	2019/09/17
DOCUMENT NUMBER	DOC TYPE	DOC PART	REVISION
431600001-SD	PSD	000	A1
MATERIAL NUMBER	CUSTOMER	SHEET NUMBER	
SEE CHARTS	GENERAL MARKET	2 OF 5	

CIRCUITS	DIM. 'A' ±	0.33 .013
2	21.08	.830
3	28.58	1.125
4	36.07	1.420
5	43.56	1.715
6	51.05	2.010
8	66.04	2.600

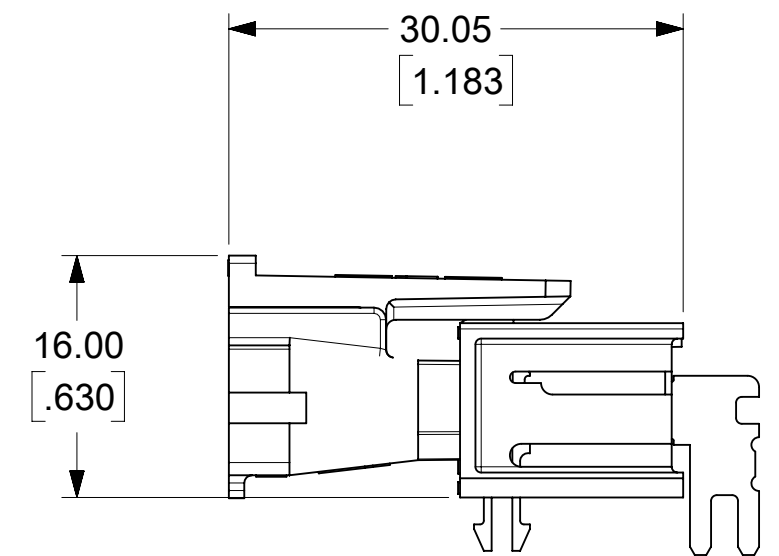
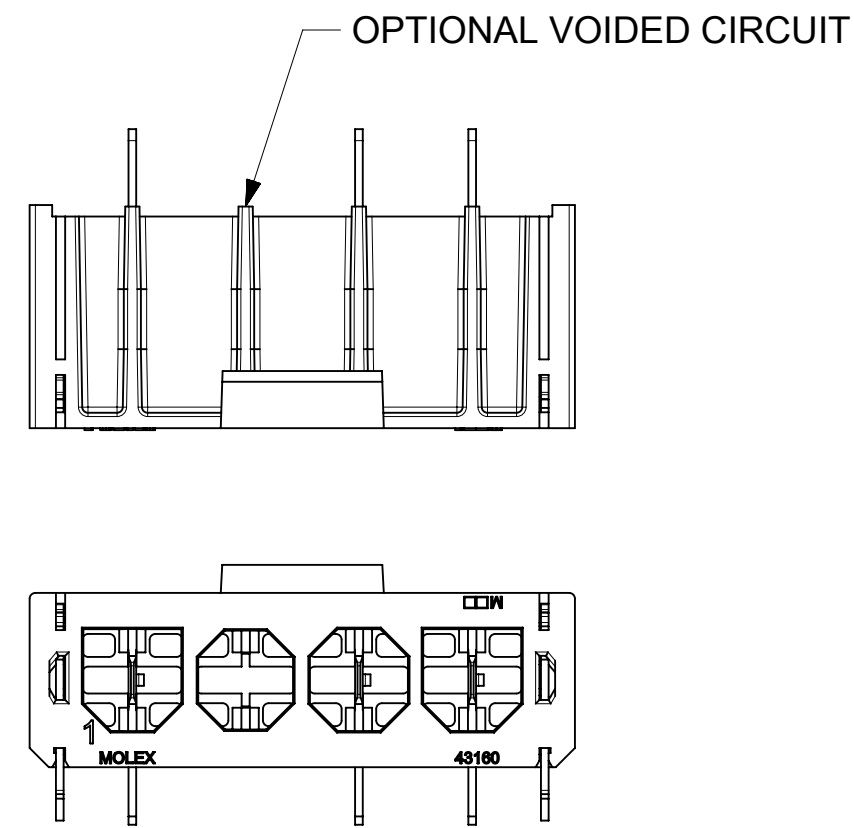
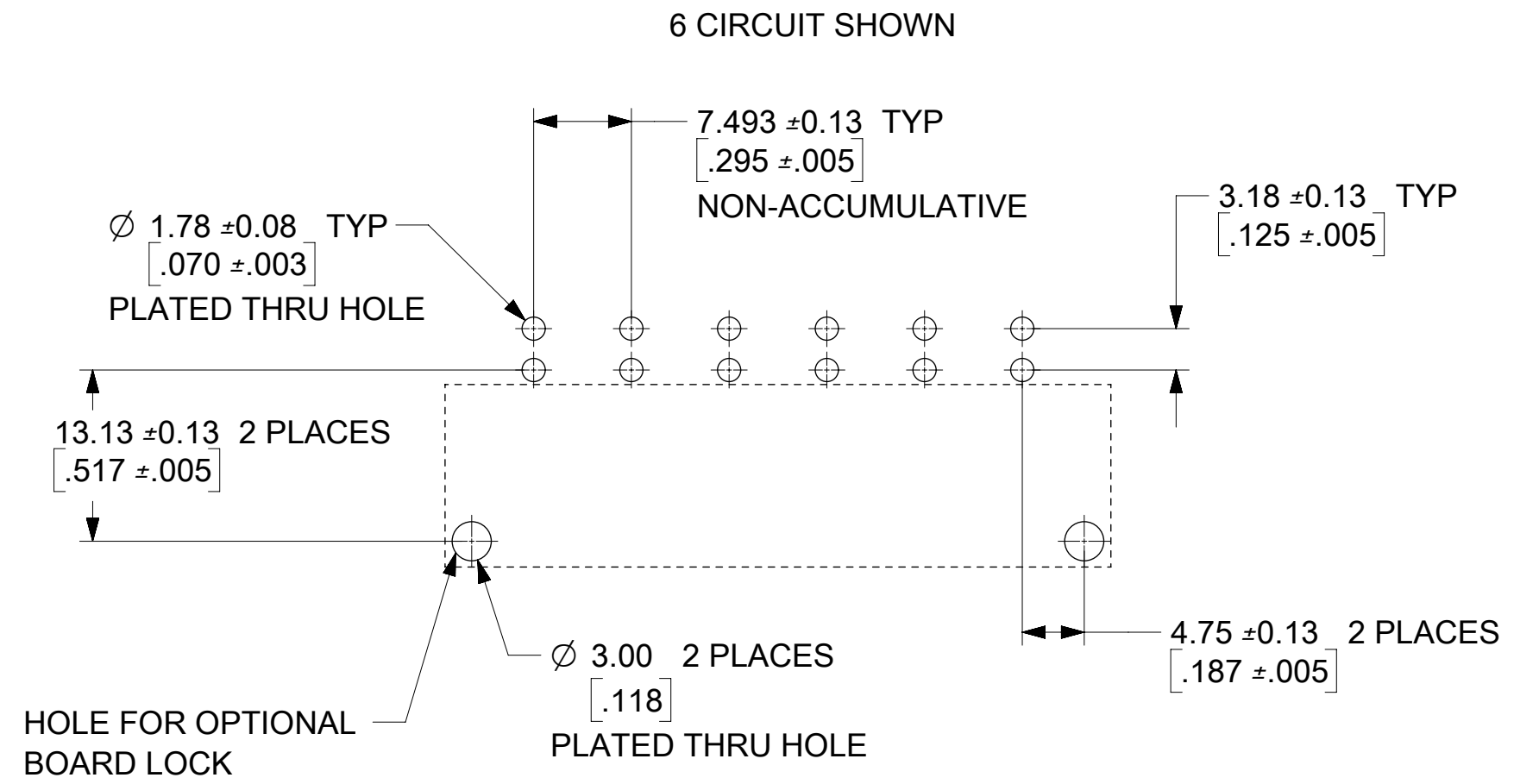


SYMBOLS	THIS DRAWING CONTAINS INFORMATION THAT IS PROPRIETARY TO MOLEX ELECTRONIC TECHNOLOGIES, LLC AND SHOULD NOT BE USED WITHOUT WRITTEN PERMISSION													
	DIMENSION UNITS		SCALE		CURRENT REV DESC: CORRECTED DIMENSION UNITS IN TITLE BLOCK									
∇ = 0	MM/IN	4:1		GENERAL TOLERANCES (UNLESS SPECIFIED)		EC NO: 637904				DOCUMENT NUMBER			DOC TYPE	DOC PART
∇ = 0						DRWN: BZAPPA 2020/05/19				431600001-SD		PSD	000	A1
∇ = 0						CHK'D: MKIPPER 2020/05/21				PRODUCT CUSTOMER DRAWING				
∇ = 0						APPR: FSMITH 2020/05/26				INITIAL REVISION:				
∇ = 0						DRWN: MKIPPER 2019/09/06				MATERIAL NUMBER		CUSTOMER		SHEET NUMBER
∇ = 0						APPR: FSMITH 2019/09/17				43160		GENERAL MARKET		3 OF 5
∇ = 0						DRAFT WHERE APPLICABLE MUST REMAIN WITHIN DIMENSIONS		THIRD ANGLE PROJECTION		DRAWING	SERIES	SEE CHARTS		
∇ = 0										C-SIZE	43160			

DOCUMENT STATUS	P1	RELEASE DATE	2020/05/26 17:59:01
-----------------	----	--------------	---------------------

RIGHT ANGLE HEADER ASSEMBLIES					
ASSEMBLY PART NO.	CIRCUITS	DIM. 'P' ± $\frac{0.28}{.011}$	BOARD LOCK	DIM. 'B' ± $\frac{0.10}{.004}$	PACKAGING SPEC.
43160-1102	2	3.81/(.150) (SHORT TAIL)	NO	N/A	PK-43160-0010
43160-1103	3				
43160-1104	4				
43160-1105	5				
43160-1106	6				
43160-1108	8				
43160-1302	2	5.33/(.210) (LONG TAIL)	NO	N/A	PK-43789-001
43160-1303	3				
43160-1304	4				
43160-1305	5				
43160-1306	6				
43160-1308	8				
43160-3102	2	3.81/(.150) (SHORT TAIL)	YES	1.78/(.070) FOR 1.57/(.062) PCB	PK-43789-001
43160-3103	3				
43160-3104	4				
43160-3105	5				
43160-3106	6				
43160-3108	8				
43160-5102	2	3.81/(.150) (SHORT TAIL)	YES	2.59/(.102) FOR 2.39/(.094) PCB	PK-43789-001
43160-5103	3				
43160-5104	4				
43160-5105	5				
43160-5106	6				
43160-5108	8				
43160-5302	2	5.33/(.210) (LONG TAIL)	YES	2.59/(.102) FOR 2.39/(.094) PCB	PK-43789-001
43160-5303	3				
43160-5304	4				
43160-5305	5				
43160-5306	6				
43160-5308	8				
43160-7302	2	5.33/(.210) (LONG TAIL)	YES	3.38/(.133) FOR 3.18/(.125) PCB	PK-43789-001
43160-7303	3				
43160-7304	4				
43160-7305	5				
43160-7306	6				
43160-7308	8				
ASSEMBLY PART NO.	CIRCUITS	DIM. 'P'	BOARD LOCK	DIM. 'B'	PACKAGING SPEC.

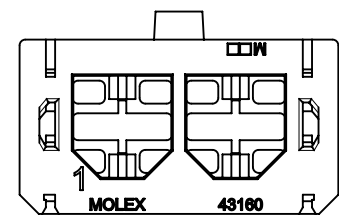
RECOMMENDED P.C. BOARD LAYOUT FOR RIGHT ANGLE HEADERS



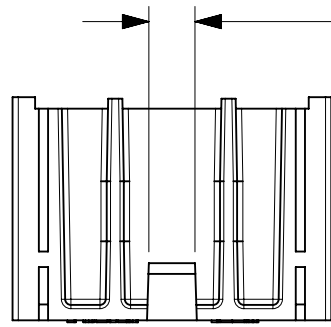
MATED DIMENSIONS RIGHT ANGLE HEADERS

RIGHT ANGLE HEADER ASSEMBLIES WITH VOIDED TERMINALS						
ASSEMBLY PART NO.	CIRCUITS	DIM. 'P' ± $\frac{0.28}{.011}$	BOARD LOCK	DIM. 'B' ± $\frac{0.10}{.004}$	PACKAGING SPEC.	VOID CIRCUIT(S)
43160-9001	4	3.81/(.150)	YES	1.78/(.070) FOR 1.57/(.062) PCB	PK-43789-001	2
43160-9003	5	(SHORT TAIL)				2, 4

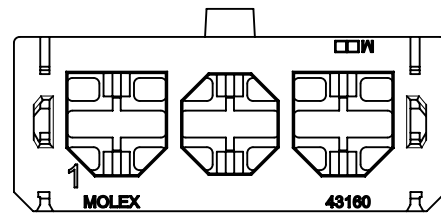
SYMBOLS	THIS DRAWING CONTAINS INFORMATION THAT IS PROPRIETARY TO MOLEX ELECTRONIC TECHNOLOGIES, LLC AND SHOULD NOT BE USED WITHOUT WRITTEN PERMISSION					
	DIMENSION UNITS		SCALE		CURRENT REV DESC: CORRECTED DIMENSION UNITS IN TITLE BLOCK	
▽ = 0	MM/IN		2:1		EC NO: 637904	
▽ = 0	GENERAL TOLERANCES (UNLESS SPECIFIED)					DRWN: BZAPPA 2020/05/19
▽ = 0			MM	INCH	CHK'D: MKIPPER 2020/05/21	
▽ = 0	4 PLACES ±	±	±	±	APPR: FSMITH 2020/05/26	
▽ = 0	3 PLACES ±	±	± 0.005	±	INITIAL REVISION:	
▽ = 0	2 PLACES ±	0.13	±	0.01	DRWN: MKIPPER 2019/09/06	
▽ = 0	1 PLACE ±	0.25	±	±	APPR: FSMITH 2019/09/17	
▽ = 0	0 PLACES ±	±	±	±	THIRD ANGLE PROJECTION	
▽ = 0	ANGULAR TOL ± 0.5°		DRAFT WHERE APPLICABLE MUST REMAIN WITHIN DIMENSIONS		DRAWING C-SIZE	
▽ = 0					SERIES 43160	
DOCUMENT STATUS		P1	RELEASE DATE	2020/05/26 17:59:01	DOCUMENT NUMBER 431600001-SD	
					DOC TYPE DOC PART REVISION PSD 000 A1	
					MATERIAL NUMBER CUSTOMER SHEET NUMBER SEE CHARTS GENERAL MARKET 4 OF 5	



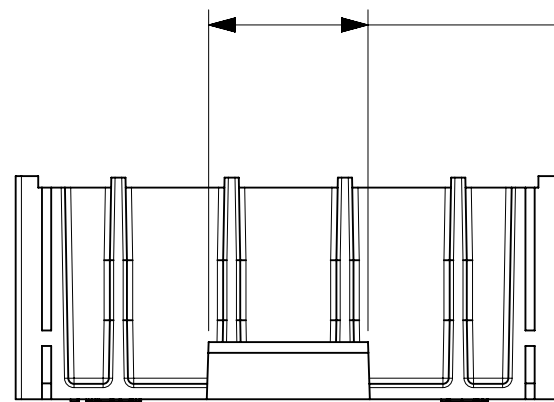
2 CIRCUITS



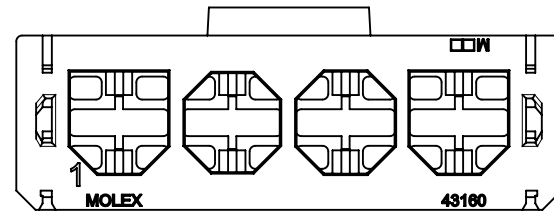
3.05
 .120
 2 AND 3 CIRCUIT



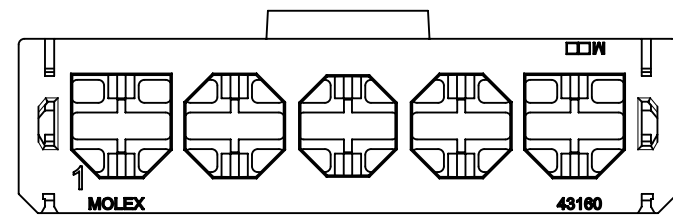
3 CIRCUITS



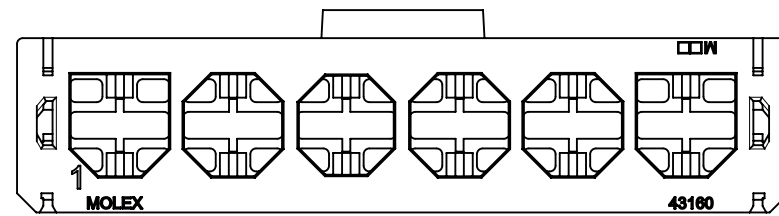
10.54
 .415
 4 CIRCUIT AND UP



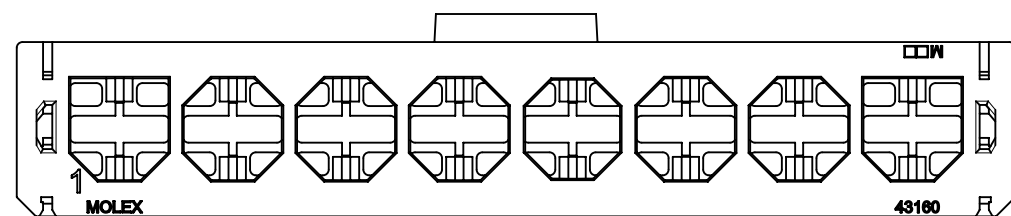
4 CIRCUITS



5 CIRCUITS



6 CIRCUITS



8 CIRCUITS

POLARIZATION

SYMBOLS	THIS DRAWING CONTAINS INFORMATION THAT IS PROPRIETARY TO MOLEX ELECTRONIC TECHNOLOGIES, LLC AND SHOULD NOT BE USED WITHOUT WRITTEN PERMISSION				
	DIMENSION UNITS	SCALE		CURRENT REV DESC: CORRECTED	
∇ = 0	MM/IN	2:1		DIMENSION UNITS IN TITLE BLOCK	
∇ = 0	GENERAL TOLERANCES (UNLESS SPECIFIED)				
∇ = 0		MM	INCH	EC NO: 637904	
∇ = 0	4 PLACES	±	±	DRWN: BZAPPA	2020/05/19
∇ = 0	3 PLACES	±	± 0.005	CHK'D: MKIPPER	2020/05/21
∇ = 0	2 PLACES	± 0.13	± 0.01	APPR: FSMITH	2020/05/26
∇ = 0	1 PLACE	± 0.25	±	INITIAL REVISION:	
∇ = 0	0 PLACES	±	±	DRWN: MKIPPER	2019/09/06
∇ = 0	ANGULAR TOL	± 0.5 °		APPR: FSMITH	2019/09/17
∇ = 0	DRAFT WHERE APPLICABLE MUST REMAIN WITHIN DIMENSIONS		THIRD ANGLE PROJECTION	DRAWING	SERIES
∇ = 0				C-SIZE	43160
DOCUMENT STATUS			P1		RELEASE DATE
2020/05/26			17:59:01		
DOCUMENT NUMBER			DOC TYPE		DOC PART
431600001-SD			PSD		000
MATERIAL NUMBER			CUSTOMER		SHEET NUMBER
SEE CHARTS			GENERAL MARKET		5 OF 5

X-ON Electronics

Largest Supplier of Electrical and Electronic Components

Click to view similar products for [Headers & Wire Housings](#) category:

Click to view products by [Molex](#) manufacturer:

Other Similar products are found below :

[892-18-020-10-001101](#) [58102-G61-06LF](#) [582553-1](#) [0009485154](#) [009176003701906](#) [0050291907](#) [LY20-4P-DT1-P1E-BR](#) [02.125.8002.8](#)
[609-3404](#) [61062-3](#) [622-0430](#) [622-3653LF](#) [63453-116](#) [636-1030](#) [636-1427](#) [636-3427](#) [636-4007](#) [641938-9](#) [641991-4](#) [644827-2](#) [65817-010LF](#)
[65817-015LF](#) [65863-015LF](#) [66207-023LF](#) [67095-007LF](#) [67601157](#) [68648-049](#) [70.362.1628.0](#) [70-4210](#) [70-4226B](#) [70-4853B](#) [707-5020](#) [707-5028](#) [71.350.2428.0](#) [71918-208LF](#) [71961-016LF](#) [733-134](#) [733-162](#) [754199-000](#) [760-3052](#) [787-8014-00](#) [79531-3000](#) [FCN-360C032-B](#) [FCN-367T-T012/H](#) [FCN-723D010/2](#) [80.063.4001.1](#) [800-90-001-10-001000](#) [800-90-010-10-002000](#) [801-43-002-10-013000](#) [801-43-006-10-002000](#)