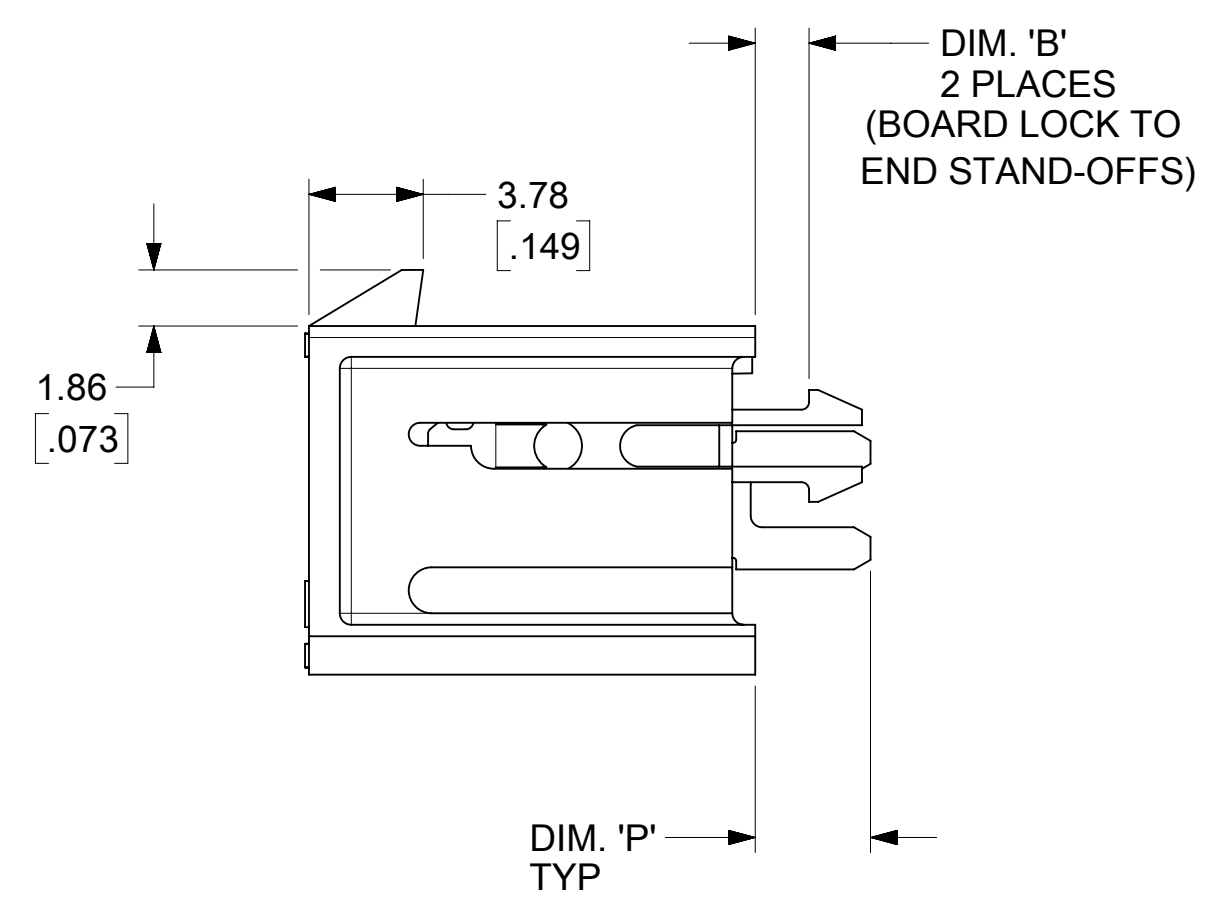
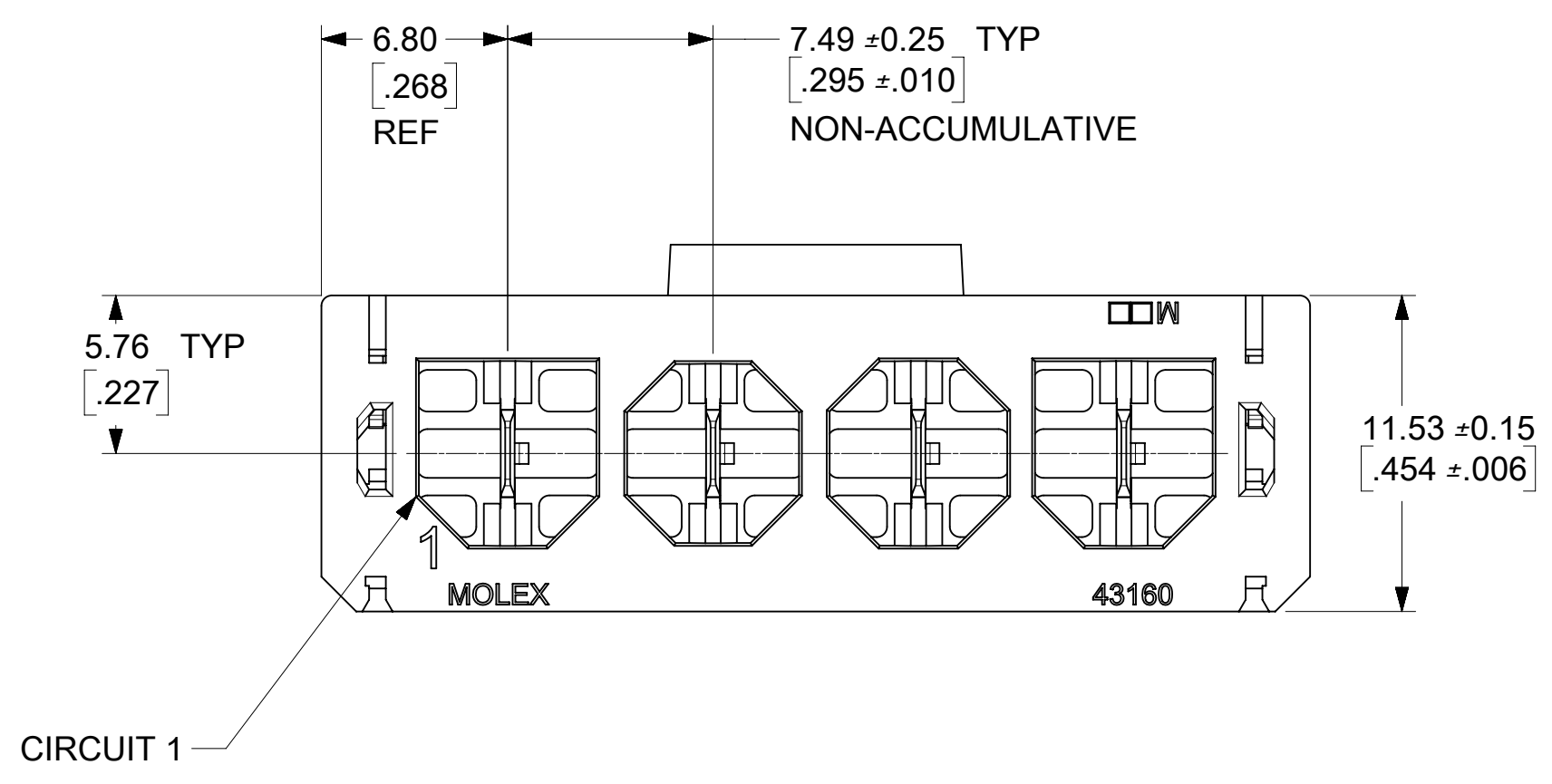
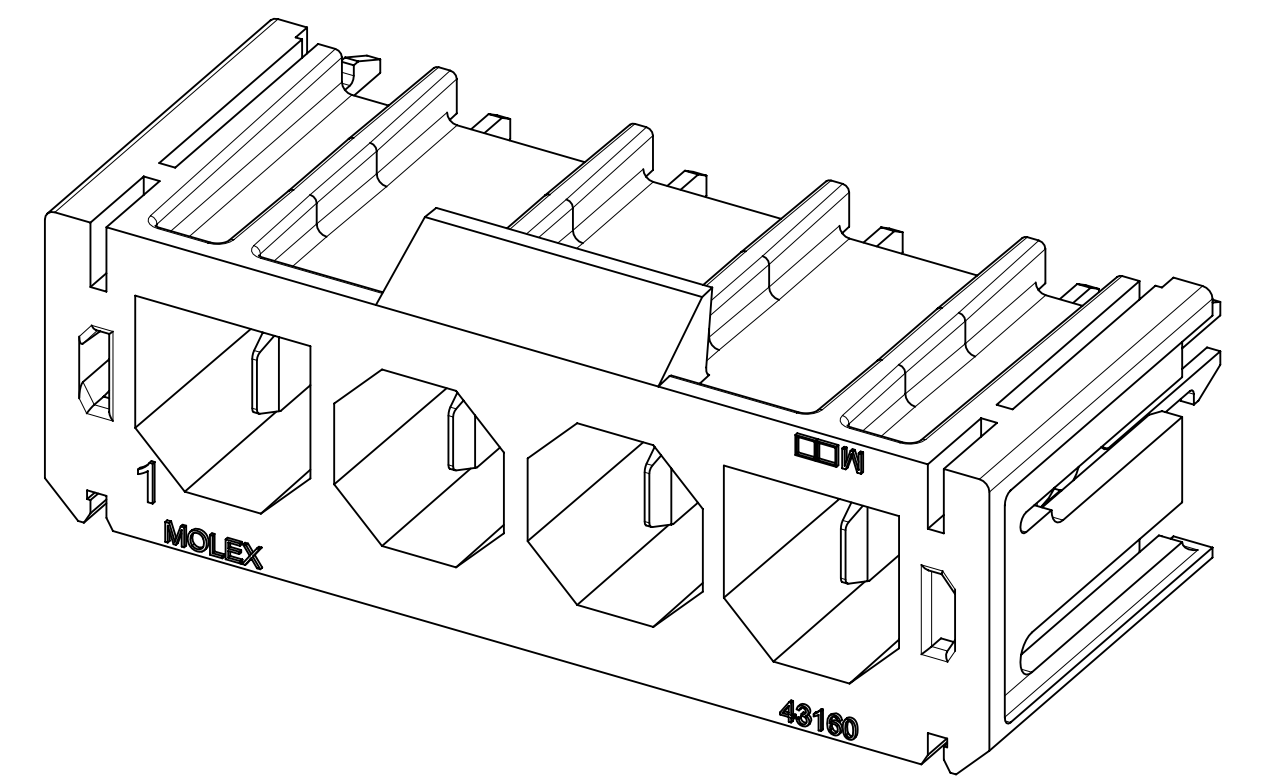
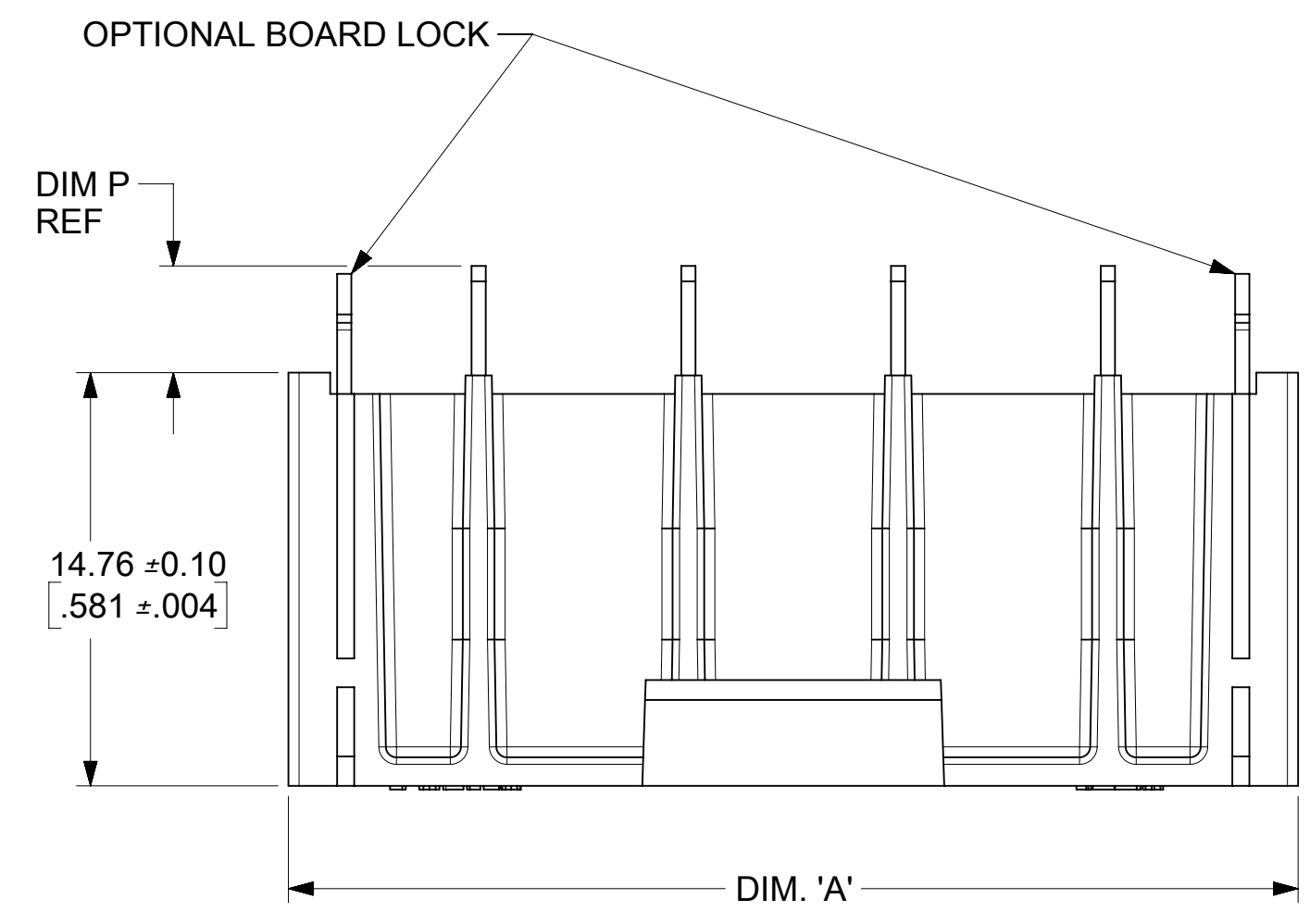


CIRCUITS	DIM. 'A' ± $\frac{0.33}{.013}$
2	$\frac{21.08}{.830}$
3	$\frac{28.58}{1.125}$
4	$\frac{36.07}{1.420}$
5	$\frac{43.56}{1.715}$
6	$\frac{51.05}{2.010}$
8	$\frac{66.04}{2.600}$



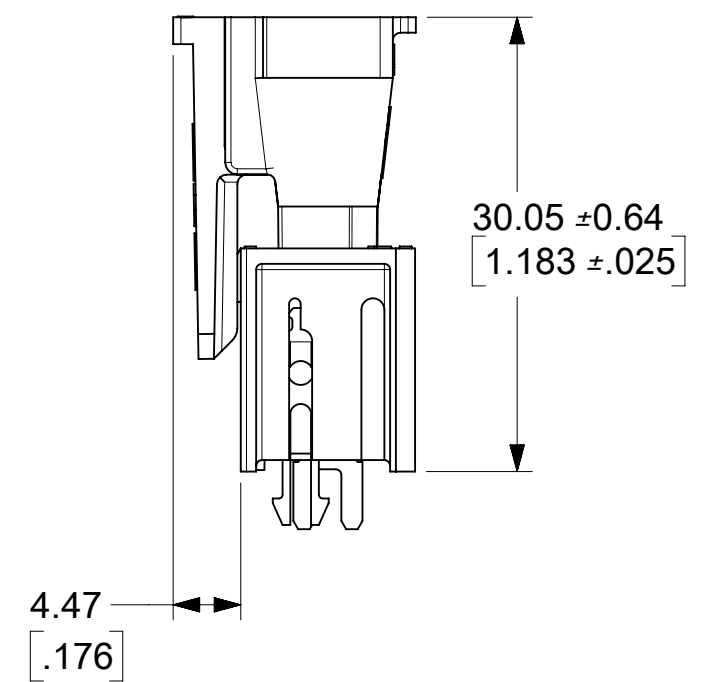
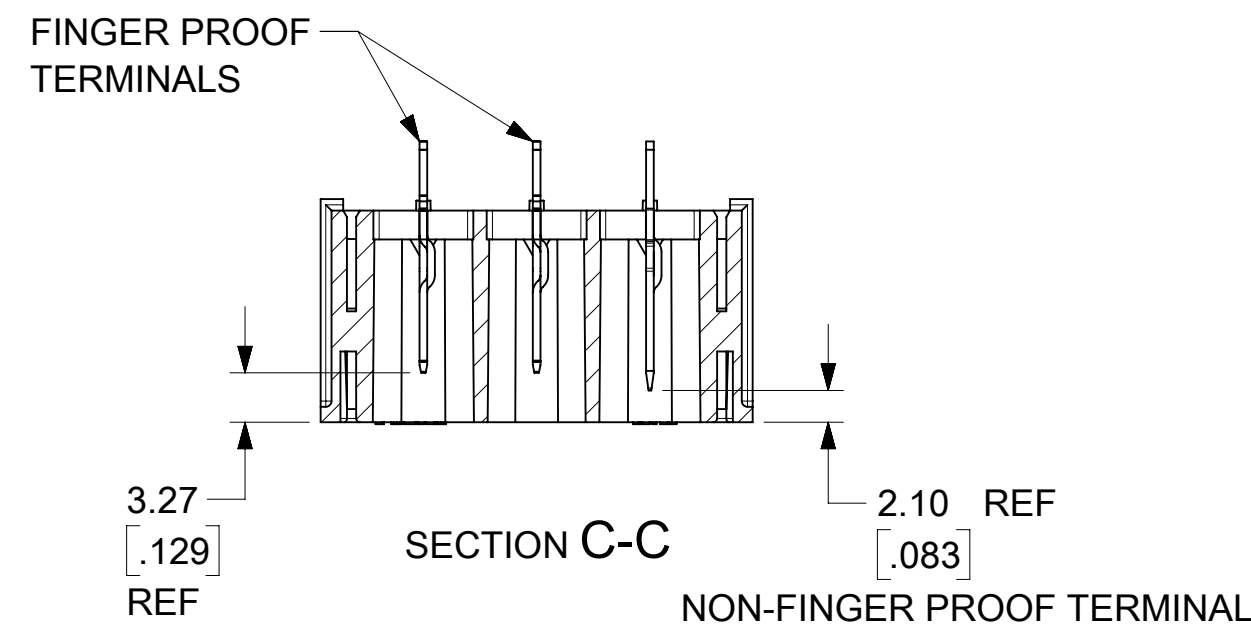
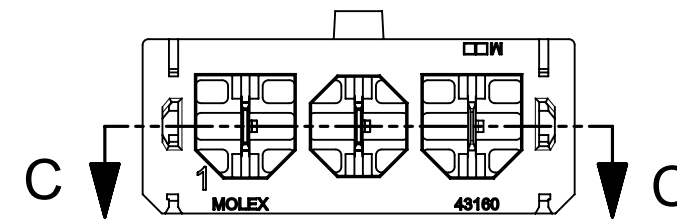
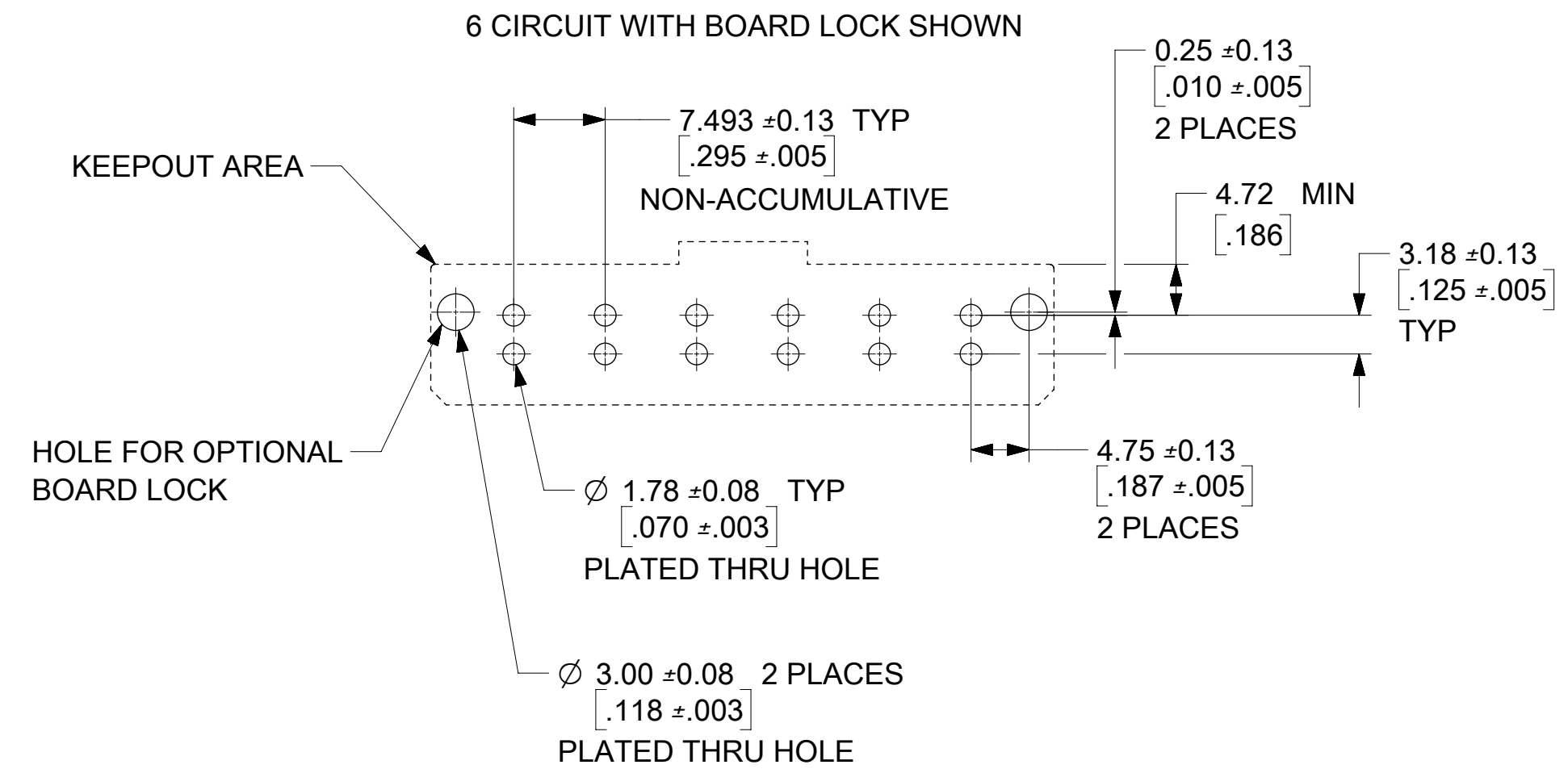
SHEETS 1 AND 2: VERTICAL HEADERS  
SHEETS 3 AND 4: RIGHT ANGLE HEADERS  
SHEET 5: POLARIZATION

- INSULATOR MATERIAL: 30% GLASS FILLED 4/6 NYLON UL94V-0, COLOR: BLACK  
TERMINAL MATERIAL : BRASS
- TERMINAL FINISH: OVERALL REFLOWED MATTE TIN: 0.00152/.000060 MIN OVER 0.00127/.000050 MIN NICKEL.
- PRODUCT SPECIFICATION PS-44441-9999.
- PACKAGING: SEE CHART
- THIS HEADER MATES WITH 44441 OR 43335 SERIES RECEPTACLE HOUSINGS.
- THIS PART CONFORMS TO CLASS B REQUIREMENTS OF MOLEX COSMETIC SPECIFICATION PS-45499-002
- TEXT ON PART IS FOR REFERENCE ONLY. TEXT AND TEXT LOCATION MAY VARY DEPENDING ON PART NUMBER AND/OR TOOL.
- PART DESIGNED IN INCHES.

SYMBOLS		THIS DRAWING CONTAINS INFORMATION THAT IS PROPRIETARY TO MOLEX ELECTRONIC TECHNOLOGIES, LLC AND SHOULD NOT BE USED WITHOUT WRITTEN PERMISSION	
DIMENSION UNITS	SCALE	CURRENT REV DESC: CORRECTED DIMENSION UNITS IN TITLE BLOCK	
$\nabla = 0$	MM/IN 4:1		
$\nabla = 0$	GENERAL TOLERANCES (UNLESS SPECIFIED)		
$\nabla = 0$		EC NO: 637904	2020/05/19
$\nabla = 0$		DRWN: BZAPPA	2020/05/21
$\nabla = 0$		CHK'D: MKIPPER	2020/05/26
$\nabla = 0$		APPR: FSMITH	
$\nabla = 0$		INITIAL REVISION:	
$\nabla = 0$		DRWN: MKIPPER	2019/09/06
$\nabla = 0$		APPR: FSMITH	2019/09/17
$\nabla = 0$		ANGULAR TOL ± 0.5°	
$\nabla = 0$	DRAFT WHERE APPLICABLE MUST REMAIN WITHIN DIMENSIONS	THIRD ANGLE PROJECTION	DRAWING SERIES
$\nabla = 0$		C-SIZE	43160
DOCUMENT STATUS		DOCUMENT NUMBER	DOC TYPE   DOC PART   REVISION
P1	RELEASE DATE 2020/05/26 17:59:01	431600001-SD	PSD 000 A1
THIS DRAWING REPLACES SDA-43160-****		MATERIAL NUMBER	CUSTOMER SHEET NUMBER
		SEE CHARTS	GENERAL MARKET 1 OF 5

VERTICAL HEADER ASSEMBLIES					
ASSEMBLY PART NO.	CIRCUITS	DIM. 'P' ± $\frac{0.51}{.020}$	BOARD LOCK	DIM. 'B' ± $\frac{0.10}{.004}$	PACKAGING SPEC.
43160-0102	2	3.81/(.150) (SHORT TAIL)	NO	N/A	PK-43160-0010
43160-0103	3				
43160-0104	4				
43160-0105	5				
43160-0106	6				
43160-0108	8				
43160-0302	2	5.33/(.210) (LONG TAIL)	NO	N/A	PK-43789-001
43160-0303	3				
43160-0304	4				
43160-0305	5				
43160-0306	6				
43160-0308	8				
43160-2102	2	3.81/(.150) (SHORT TAIL)	YES	1.78/(.070) FOR 1.57/(.062) PCB	PK-43789-001
43160-2103	3				
43160-2104	4				
43160-2105	5				
43160-2106	6				
43160-2108	8				
43160-4102	2	3.81/(.150) (SHORT TAIL)	YES	2.59/(.102) FOR 2.39/(.094) PCB	PK-43789-001
43160-4103	3				
43160-4104	4				
43160-4105	5				
43160-4106	6				
43160-4108	8				
43160-4302	2	5.33/(.210) (LONG TAIL)	YES	2.59/(.102) FOR 2.39/(.094) PCB	PK-43789-001
43160-4303	3				
43160-4304	4				
43160-4305	5				
43160-4306	6				
43160-4308	8				
43160-6302	2	5.33/(.210) (LONG TAIL)	YES	3.38/(.133) FOR 3.18/(.125) PCB	PK-43789-001
43160-6303	3				
43160-6304	4				
43160-6305	5				
43160-6306	6				
43160-6308	8				
ASSEMBLY PART NO.	CIRCUITS	DIM. 'P'	BOARD LOCK	DIM. 'B'	PACKAGING SPEC.

### RECOMMENDED P.C. BOARD LAYOUT FOR VERTICAL HEADERS



HEADER WITH OPTIONAL FINGER PROOF TERMINAL  
43160-9002 SHOWN

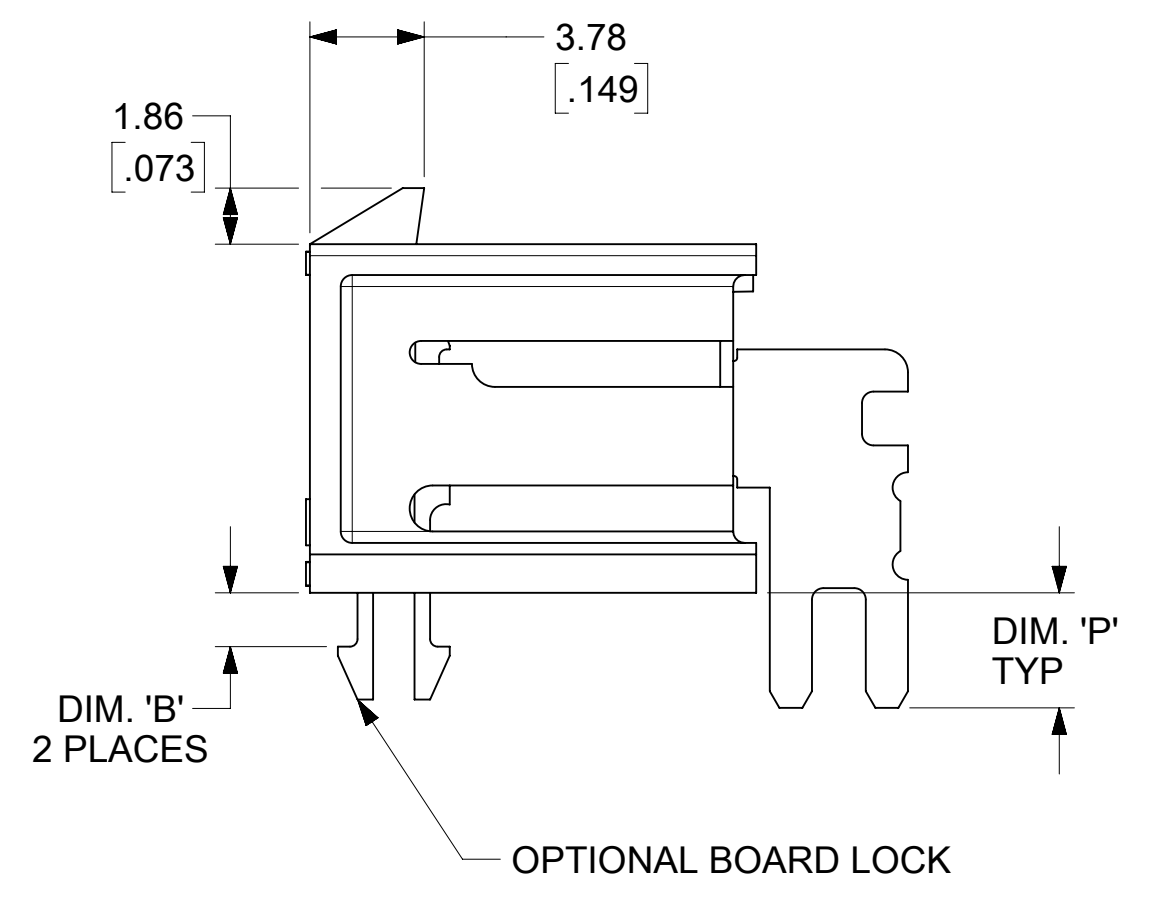
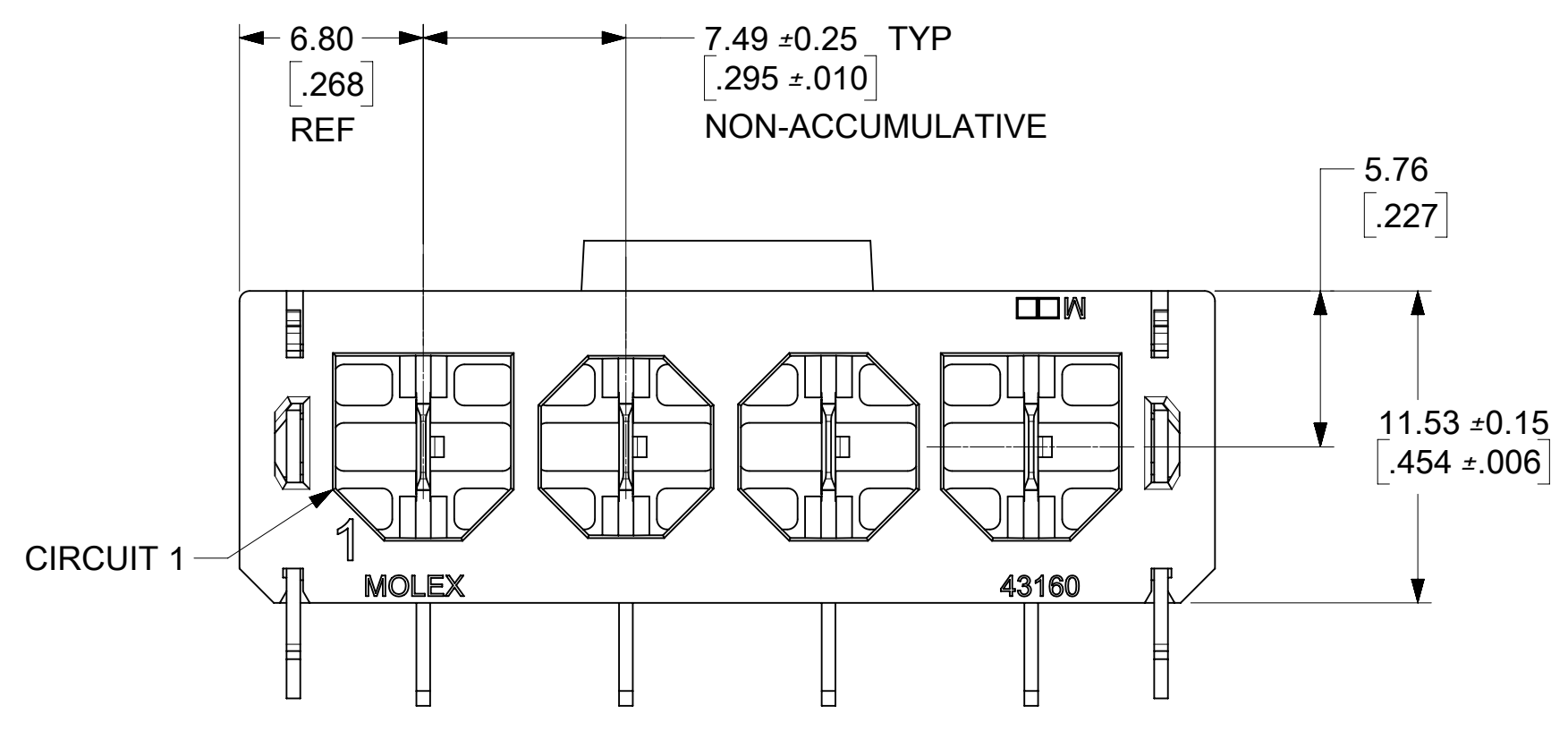
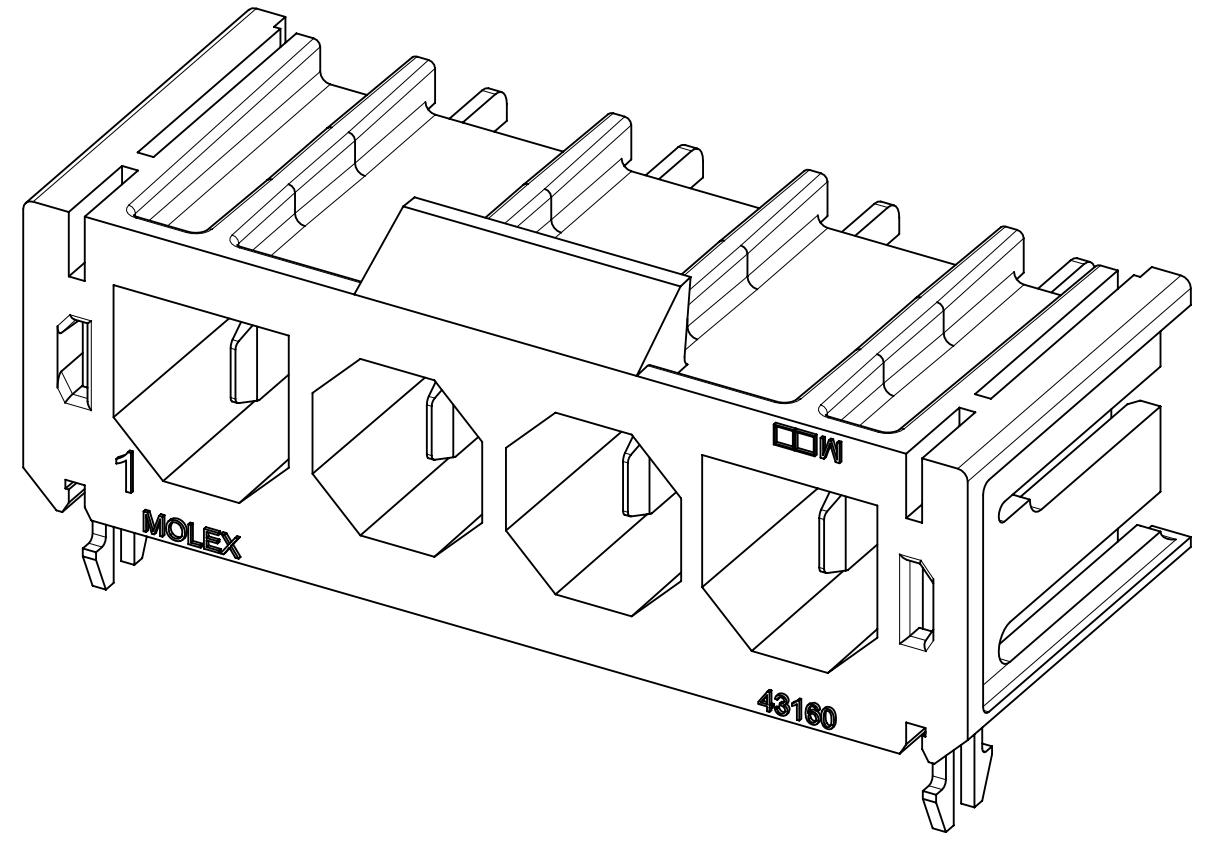
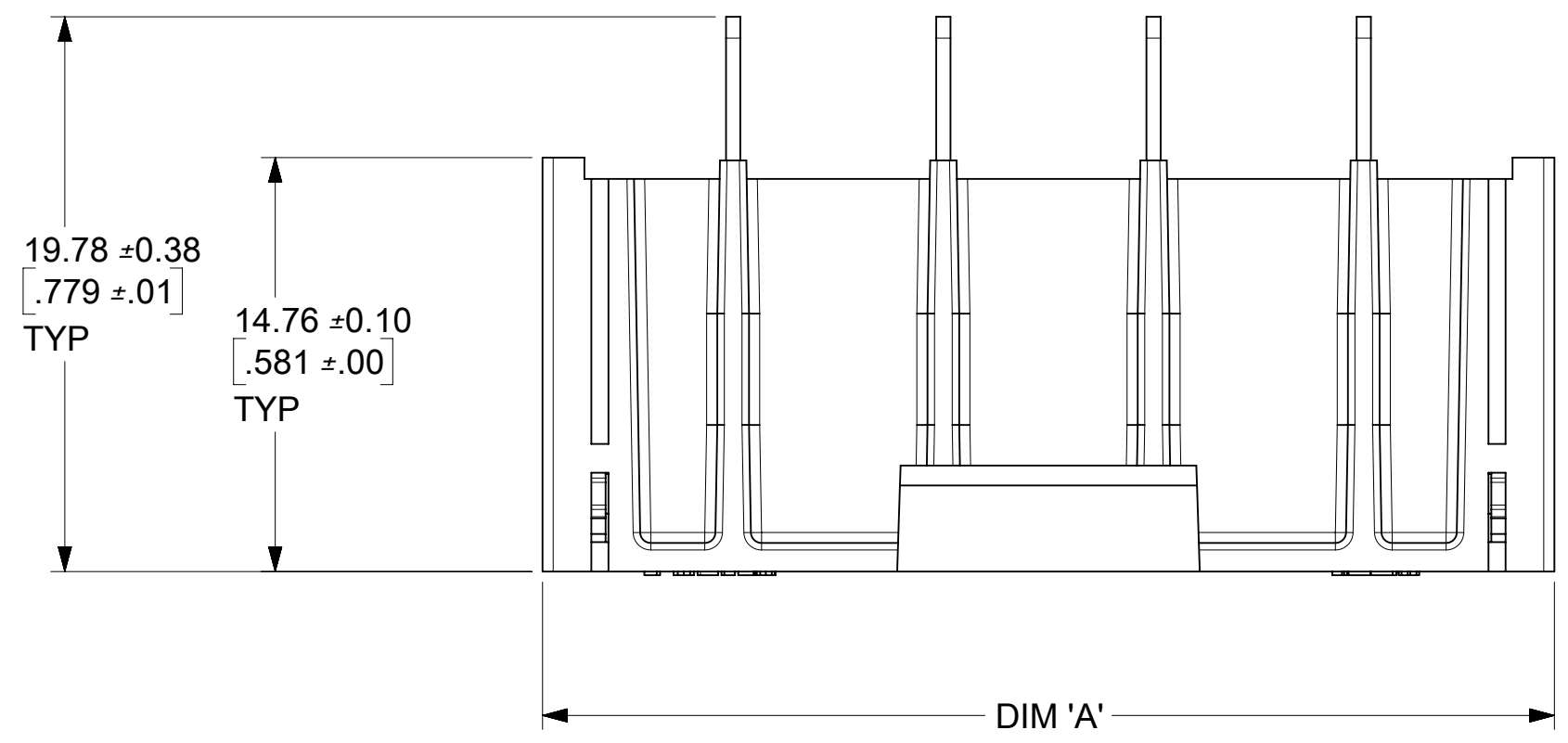
### MATED DIMENSIONS VERTICAL HEADERS

### FINGER PROOF VERTICAL HEADER ASSEMBLIES

ASSEMBLY PART NO.	CIRCUITS	FINGER PROOF TERMINAL CIRCUIT(S)	DIM. 'P' ± $\frac{0.51}{.020}$	BOARD LOCK	DIM. 'B' ± $\frac{0.10}{.004}$	PACKAGING SPEC.
43160-9002	3	1, 2	3.81/(.150) (SHORT TAIL)	NO	N/A	PK-43160-0010

SYMBOLS	THIS DRAWING CONTAINS INFORMATION THAT IS PROPRIETARY TO MOLEX ELECTRONIC TECHNOLOGIES, LLC AND SHOULD NOT BE USED WITHOUT WRITTEN PERMISSION		CURRENT REV DESC: CORRECTED		<b>molex</b>
	MM/IN	SCALE 2:1	DIMENSION UNITS IN TITLE BLOCK		
▽ = 0	GENERAL TOLERANCES (UNLESS SPECIFIED)		EC NO: 637904		SABRE HEADER ASSEMBLY 2-6 & 8 CIRCUIT .125/(3.18) X .020/(0.51)
▽ = 0	4 PLACES ±		DRWN: BZAPPA 2020/05/19		
▽ = 0	3 PLACES ±		CHK'D: MKIPPER 2020/05/21		
▽ = 0	2 PLACES ± 0.13 ± 0.01		APPR: FSMITH 2020/05/26		
▽ = 0	1 PLACE ± 0.25 ±		INITIAL REVISION:		
▽ = 0	0 PLACES ±		DRWN: MKIPPER 2019/09/06		
▽ = 0	ANGULAR TOL ± 0.5°		APPR: FSMITH 2019/09/17		
▽ = 0	DRAFT WHERE APPLICABLE MUST REMAIN WITHIN DIMENSIONS		THIRD ANGLE PROJECTION	DRAWING C-SIZE	SERIES 43160
DOCUMENT STATUS P1 RELEASE DATE 2020/05/26 17:59:01			DOCUMENT NUMBER 431600001-SD		DOC TYPE PSD
			CUSTOMER GENERAL MARKET		DOC PART 000
			SHEET NUMBER 2 OF 5		REVISION A1

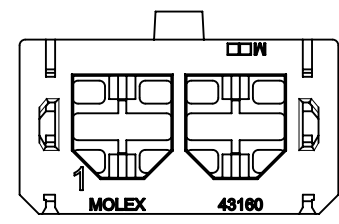
CIRCUITS	DIM. 'A' ±	0.33 .013
2	21.08	.830
3	28.58	1.125
4	36.07	1.420
5	43.56	1.715
6	51.05	2.010
8	66.04	2.600



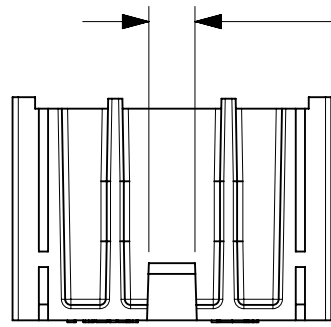
SYMBOLS	THIS DRAWING CONTAINS INFORMATION THAT IS PROPRIETARY TO MOLEX ELECTRONIC TECHNOLOGIES, LLC AND SHOULD NOT BE USED WITHOUT WRITTEN PERMISSION													
	DIMENSION UNITS		SCALE		CURRENT REV DESC: CORRECTED DIMENSION UNITS IN TITLE BLOCK									
∇ = 0	MM/IN	4:1		GENERAL TOLERANCES (UNLESS SPECIFIED)		EC NO: 637904				DOCUMENT NUMBER			DOC TYPE	DOC PART
∇ = 0							DRWN: BZAPPA		2020/05/19		PSD		000	A1
∇ = 0							CHK'D: MKIPPER		2020/05/21		PRODUCT CUSTOMER DRAWING			
S = 0	4 PLACES ±		±				APPR: FSMITH		2020/05/26		MATERIAL NUMBER		CUSTOMER	
∇ = 0	3 PLACES ±		± 0.005				INITIAL REVISION:		2019/09/06		431600001-SD		GENERAL MARKET	
∇ = 0	2 PLACES ±		0.13 ± 0.01				DRWN: MKIPPER		2019/09/17		SEE CHARTS		SHEET NUMBER	
∇ = 0	1 PLACE ±		0.25 ±				APPR: FSMITH				3 OF 5			
∇ = 0	0 PLACES ±		±				DRAFT WHERE APPLICABLE MUST REMAIN WITHIN DIMENSIONS		THIRD ANGLE PROJECTION		DRAWING		SERIES	
∇ = 0							C-SIZE		43160					

DOCUMENT STATUS	P1	RELEASE DATE	2020/05/26	17:59:01
-----------------	----	--------------	------------	----------

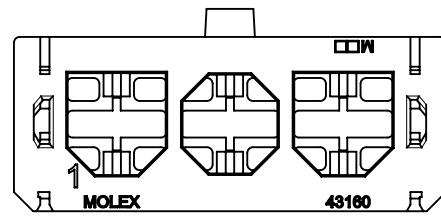




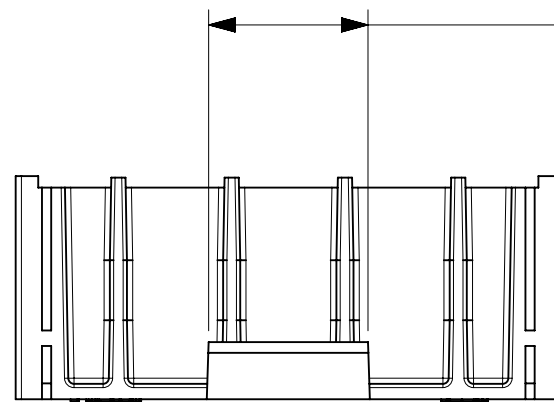
2 CIRCUITS



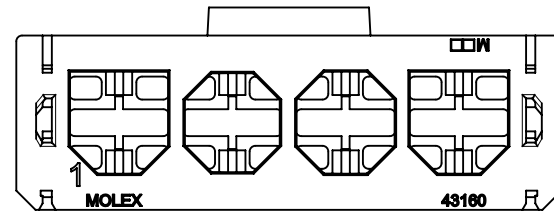
3.05  
.120  
2 AND 3 CIRCUIT



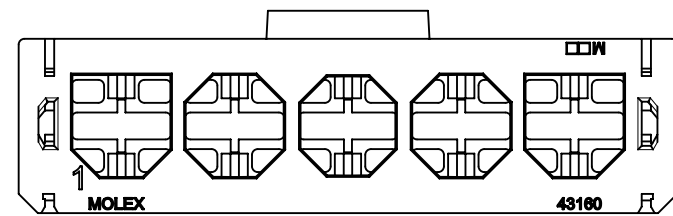
3 CIRCUITS



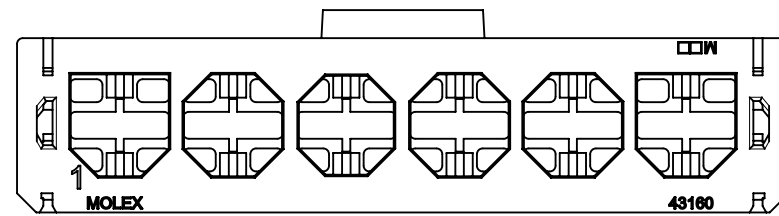
10.54  
.415  
4 CIRCUIT AND UP



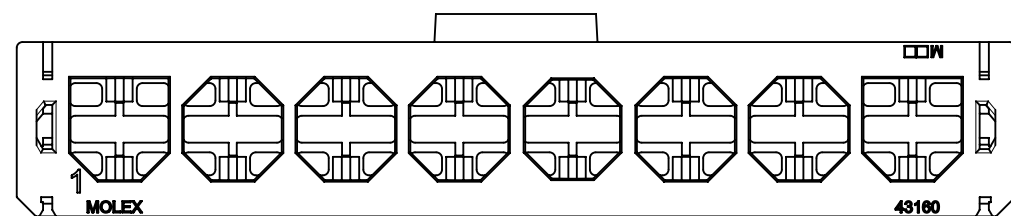
4 CIRCUITS



5 CIRCUITS



6 CIRCUITS



8 CIRCUITS

**POLARIZATION**

SYMBOLS	THIS DRAWING CONTAINS INFORMATION THAT IS PROPRIETARY TO MOLEX ELECTRONIC TECHNOLOGIES, LLC AND SHOULD NOT BE USED WITHOUT WRITTEN PERMISSION				
	DIMENSION UNITS	SCALE		CURRENT REV DESC: CORRECTED	
∇ = 0	MM/IN	2:1		DIMENSION UNITS IN TITLE BLOCK	
∇ = 0	GENERAL TOLERANCES (UNLESS SPECIFIED)				
∇ = 0		MM	INCH	EC NO: 637904	
∇ = 0	4 PLACES	±	±	DRWN: BZAPPA	2020/05/19
∇ = 0	3 PLACES	±	± 0.005	CHK'D: MKIPPER	2020/05/21
∇ = 0	2 PLACES	± 0.13	± 0.01	APPR: FSMITH	2020/05/26
∇ = 0	1 PLACE	± 0.25	±	INITIAL REVISION:	
∇ = 0	0 PLACES	±	±	DRWN: MKIPPER	2019/09/06
∇ = 0	ANGULAR TOL	± 0.5 °		APPR: FSMITH	2019/09/17
∇ = 0	DRAFT WHERE APPLICABLE MUST REMAIN WITHIN DIMENSIONS		THIRD ANGLE PROJECTION	DRAWING	SERIES
				C-SIZE	43160
DOCUMENT STATUS		P1	RELEASE DATE	2020/05/26	17:59:01
DOCUMENT NUMBER		CUSTOMER		DOC TYPE	DOC PART
431600001-SD		GENERAL MARKET		PSD	000
MATERIAL NUMBER		SHEET NUMBER		REVISION	
SEE CHARTS		5 OF 5		A1	

## X-ON Electronics

Largest Supplier of Electrical and Electronic Components

*Click to view similar products for [Headers & Wire Housings](#) category:*

*Click to view products by [Molex](#) manufacturer:*

Other Similar products are found below :

[892-18-020-10-001101](#) [58102-G61-06LF](#) [582553-1](#) [0009485154](#) [009176003701906](#) [0050291907](#) [LY20-4P-DT1-P1E-BR](#) [02.125.8002.8](#)  
[609-3404](#) [61062-3](#) [622-0430](#) [622-3653LF](#) [63453-116](#) [636-1030](#) [636-1427](#) [636-3427](#) [636-4007](#) [641938-9](#) [641991-4](#) [644827-2](#) [65817-010LF](#)  
[65817-015LF](#) [65863-015LF](#) [66207-023LF](#) [67095-007LF](#) [67601157](#) [68648-049](#) [70.362.1628.0](#) [70-4210](#) [70-4226B](#) [70-4853B](#) [707-5020](#) [707-](#)  
[5028](#) [71.350.2428.0](#) [71918-208LF](#) [71961-016LF](#) [733-134](#) [733-162](#) [754199-000](#) [760-3052](#) [787-8014-00](#) [79531-3000](#) [FCN-360C032-B](#) [FCN-](#)  
[367T-T012/H](#) [FCN-723D010/2](#) [80.063.4001.1](#) [800-90-001-10-001000](#) [800-90-010-10-002000](#) [801-43-002-10-013000](#) [801-43-006-10-002000](#)