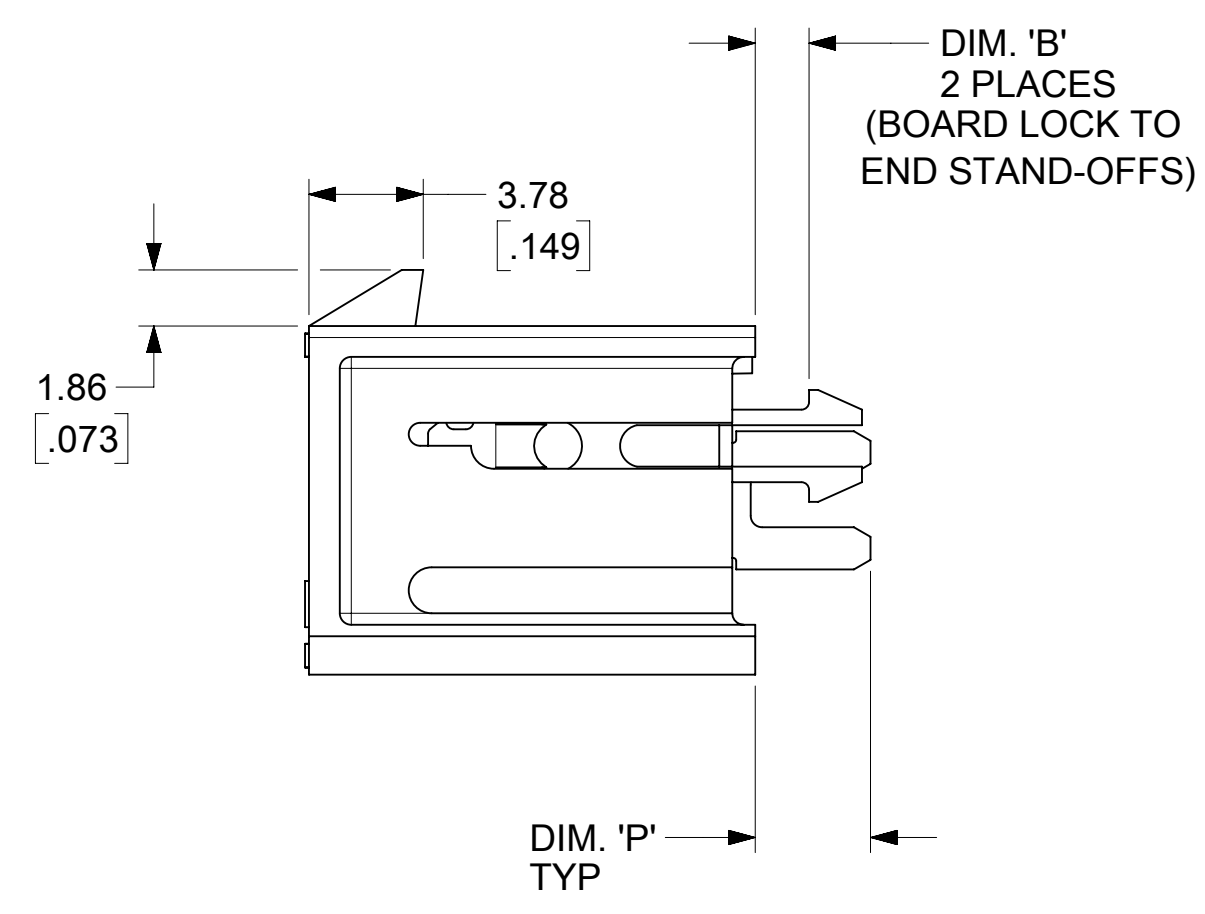
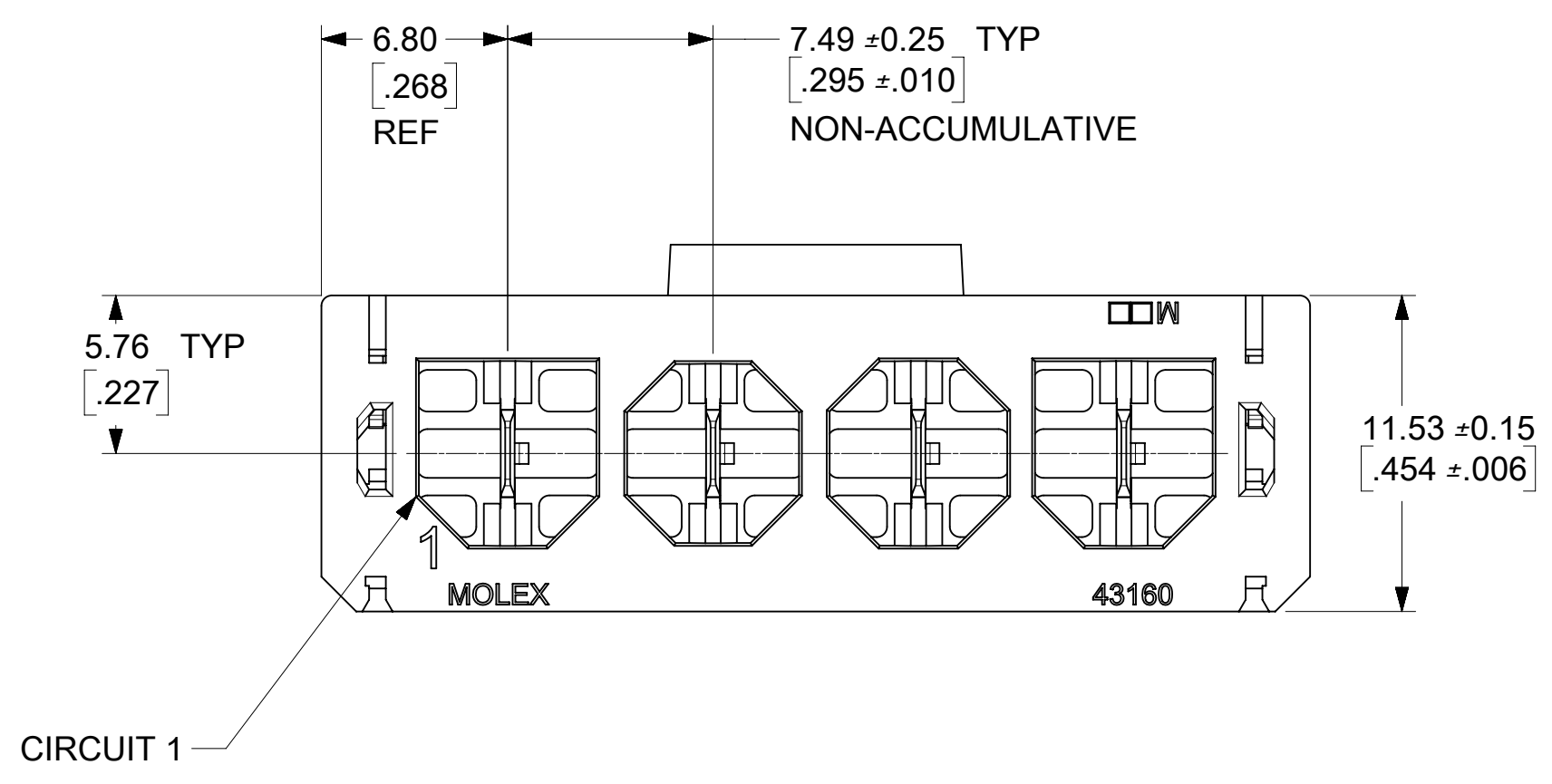
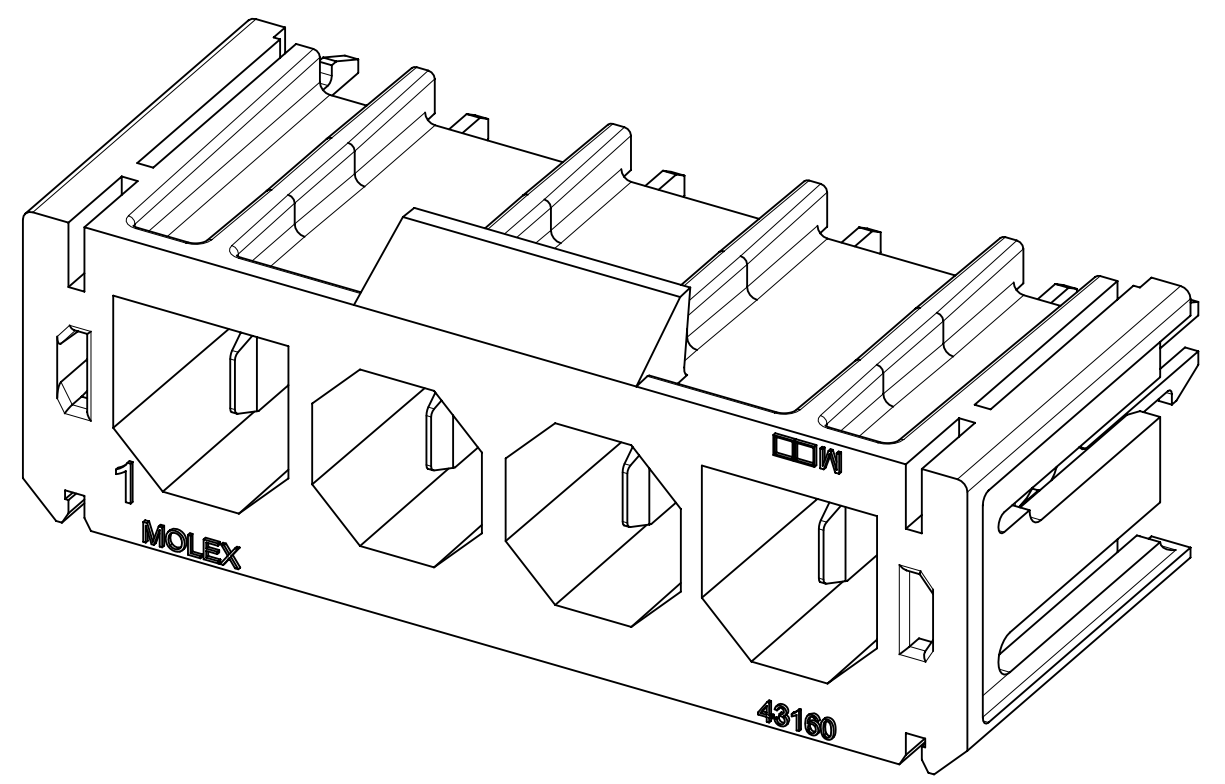
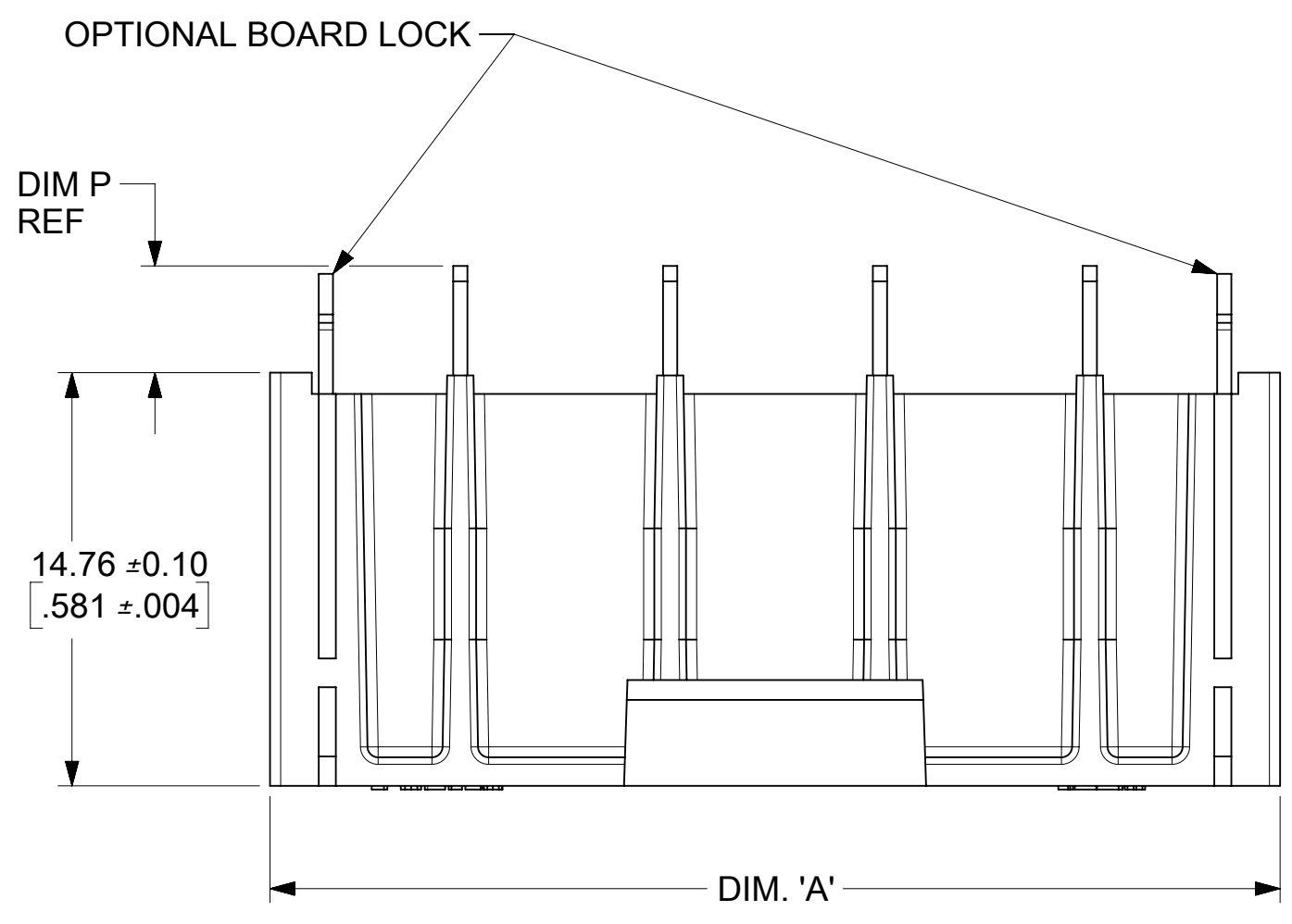


CIRCUITS	DIM. 'A' ± $\frac{0.33}{.013}$
2	$\frac{21.08}{.830}$
3	$\frac{28.58}{1.125}$
4	$\frac{36.07}{1.420}$
5	$\frac{43.56}{1.715}$
6	$\frac{51.05}{2.010}$
8	$\frac{66.04}{2.600}$



SHEETS 1 AND 2: VERTICAL HEADERS
 SHEETS 3 AND 4: RIGHT ANGLE HEADERS
 SHEET 5: POLARIZATION

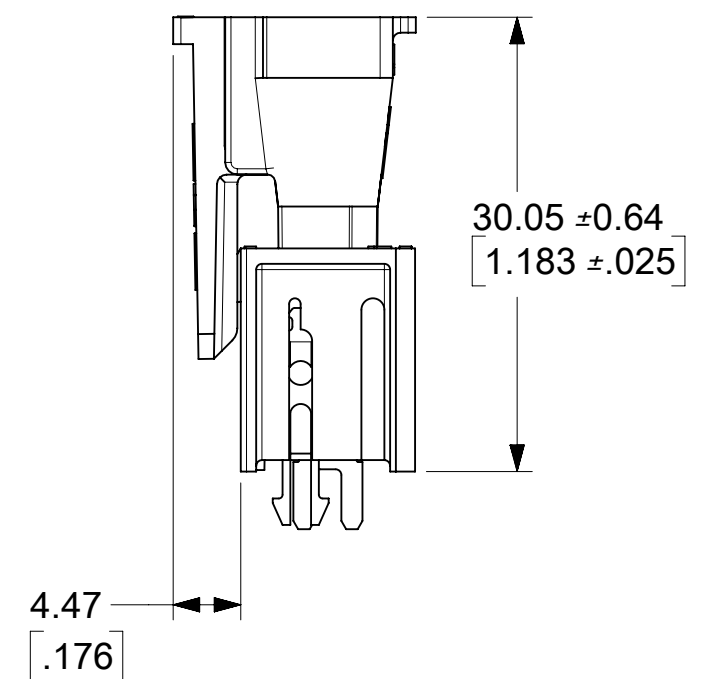
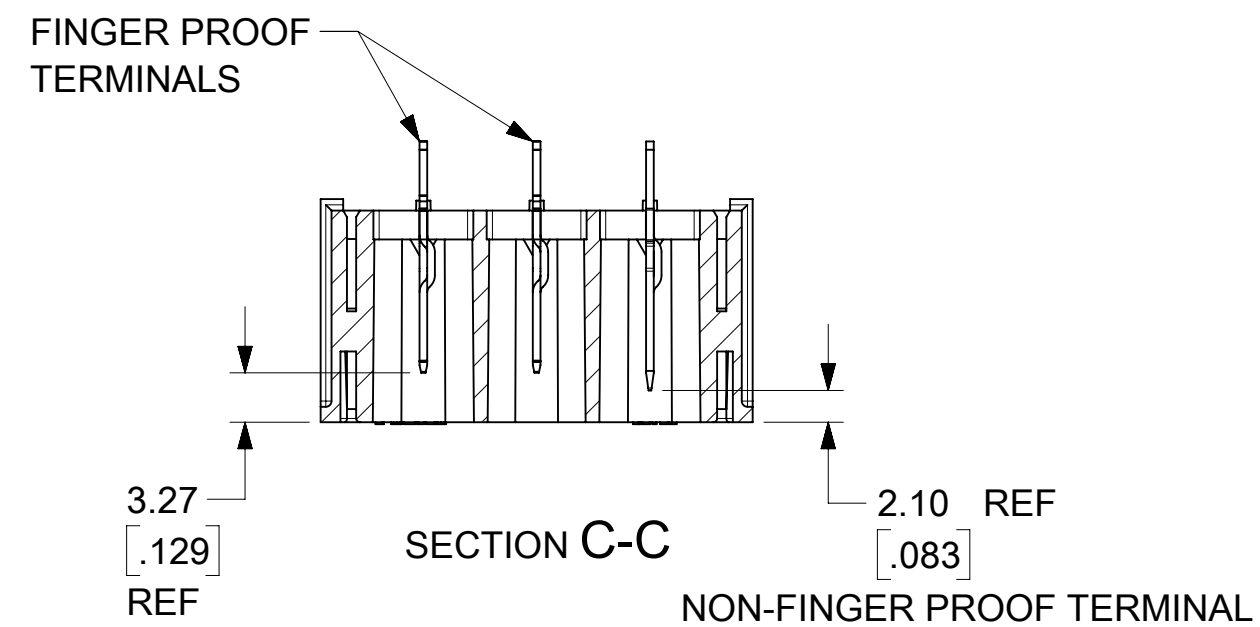
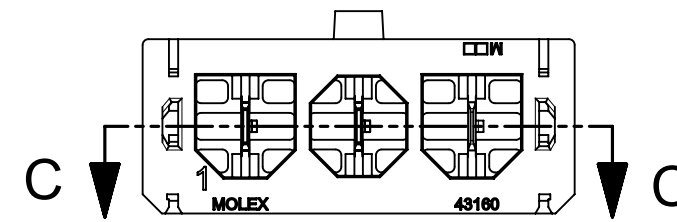
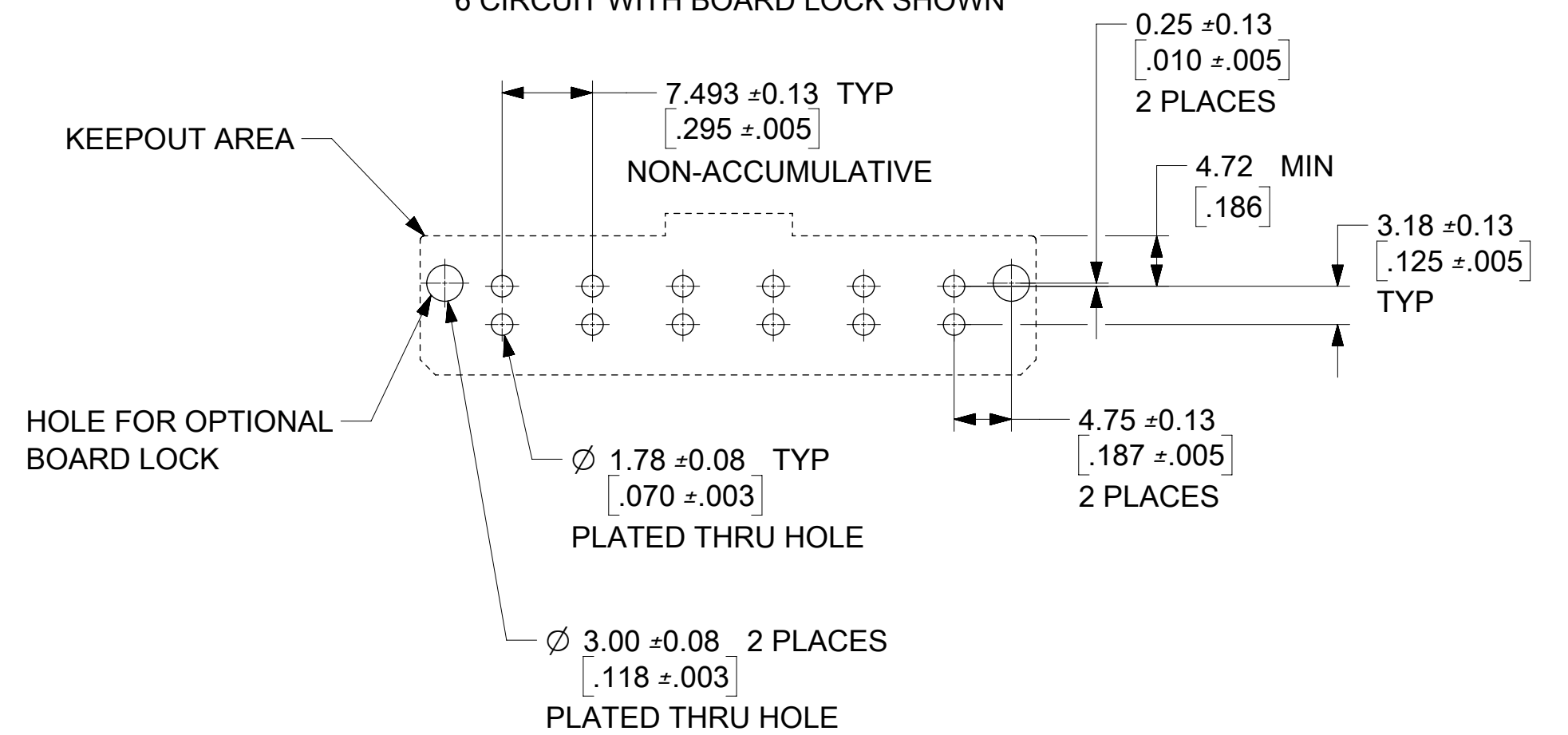
- INSULATOR MATERIAL: 30% GLASS FILLED 4/6 NYLON UL94V-0, COLOR: BLACK
 TERMINAL MATERIAL : BRASS
- TERMINAL FINISH: OVERALL REFLOWED MATTE TIN: 0.00152/.000060 MIN OVER 0.00127/.000050 MIN NICKEL.
- PRODUCT SPECIFICATION PS-44441-9999.
- PACKAGING: SEE CHART
- THIS HEADER MATES WITH 44441 OR 43335 SERIES RECEPTACLE HOUSINGS.
- THIS PART CONFORMS TO CLASS B REQUIREMENTS OF MOLEX COSMETIC SPECIFICATION PS-45499-002
- TEXT ON PART IS FOR REFERENCE ONLY. TEXT AND TEXT LOCATION MAY VARY DEPENDING ON PART NUMBER AND/OR TOOL.
- PART DESIGNED IN INCHES.

SYMBOLS		THIS DRAWING CONTAINS INFORMATION THAT IS PROPRIETARY TO MOLEX ELECTRONIC TECHNOLOGIES, LLC AND SHOULD NOT BE USED WITHOUT WRITTEN PERMISSION	
DIMENSION UNITS	SCALE	CURRENT REV DESC: CORRECTED DIMENSION UNITS IN TITLE BLOCK	
$\nabla = 0$	MM/IN 4:1		
$\nabla = 0$	GENERAL TOLERANCES (UNLESS SPECIFIED)		
$\nabla = 0$		EC NO: 637904	
$\nabla = 0$		DRWN: BZAPPA	2020/05/19
$\nabla = 0$		CHK'D: MKIPPER	2020/05/21
$\nabla = 0$		APPR: FSMITH	2020/05/26
$\nabla = 0$		INITIAL REVISION:	
$\nabla = 0$		DRWN: MKIPPER	2019/09/06
$\nabla = 0$		APPR: FSMITH	2019/09/17
$\nabla = 0$		ANGULAR TOL ± 0.5°	
$\nabla = 0$	DRAFT WHERE APPLICABLE MUST REMAIN WITHIN DIMENSIONS	THIRD ANGLE PROJECTION	DRAWING SERIES
$\nabla = 0$		C-SIZE	43160
DOCUMENT STATUS		DOCUMENT NUMBER	DOC TYPE DOC PART REVISION
P1	RELEASE DATE 2020/05/26 17:59:01	431600001-SD	PSD 000 A1
THIS DRAWING REPLACES SDA-43160-****		MATERIAL NUMBER	CUSTOMER SHEET NUMBER
		SEE CHARTS	GENERAL MARKET 1 OF 5

VERTICAL HEADER ASSEMBLIES					
ASSEMBLY PART NO.	CIRCUITS	DIM. 'P' ± $\frac{0.51}{.020}$	BOARD LOCK	DIM. 'B' ± $\frac{0.10}{.004}$	PACKAGING SPEC.
43160-0102	2	3.81/(.150) (SHORT TAIL)	NO	N/A	PK-43160-0010
43160-0103	3				
43160-0104	4				
43160-0105	5				
43160-0106	6				
43160-0108	8				
43160-0302	2	5.33/(.210) (LONG TAIL)	NO	N/A	PK-43789-001
43160-0303	3				
43160-0304	4				
43160-0305	5				
43160-0306	6				
43160-0308	8				
43160-2102	2	3.81/(.150) (SHORT TAIL)	YES	1.78/(.070) FOR 1.57/(.062) PCB	PK-43789-001
43160-2103	3				
43160-2104	4				
43160-2105	5				
43160-2106	6				
43160-2108	8				
43160-4102	2	3.81/(.150) (SHORT TAIL)	YES	2.59/(.102) FOR 2.39/(.094) PCB	PK-43789-001
43160-4103	3				
43160-4104	4				
43160-4105	5				
43160-4106	6				
43160-4108	8				
43160-4302	2	5.33/(.210) (LONG TAIL)	YES	2.59/(.102) FOR 2.39/(.094) PCB	PK-43789-001
43160-4303	3				
43160-4304	4				
43160-4305	5				
43160-4306	6				
43160-4308	8				
43160-6302	2	5.33/(.210) (LONG TAIL)	YES	3.38/(.133) FOR 3.18/(.125) PCB	PK-43789-001
43160-6303	3				
43160-6304	4				
43160-6305	5				
43160-6306	6				
43160-6308	8				
ASSEMBLY PART NO.	CIRCUITS	DIM. 'P'	BOARD LOCK	DIM. 'B'	PACKAGING SPEC.

RECOMMENDED P.C. BOARD LAYOUT FOR VERTICAL HEADERS

6 CIRCUIT WITH BOARD LOCK SHOWN



HEADER WITH OPTIONAL FINGER PROOF TERMINAL
43160-9002 SHOWN

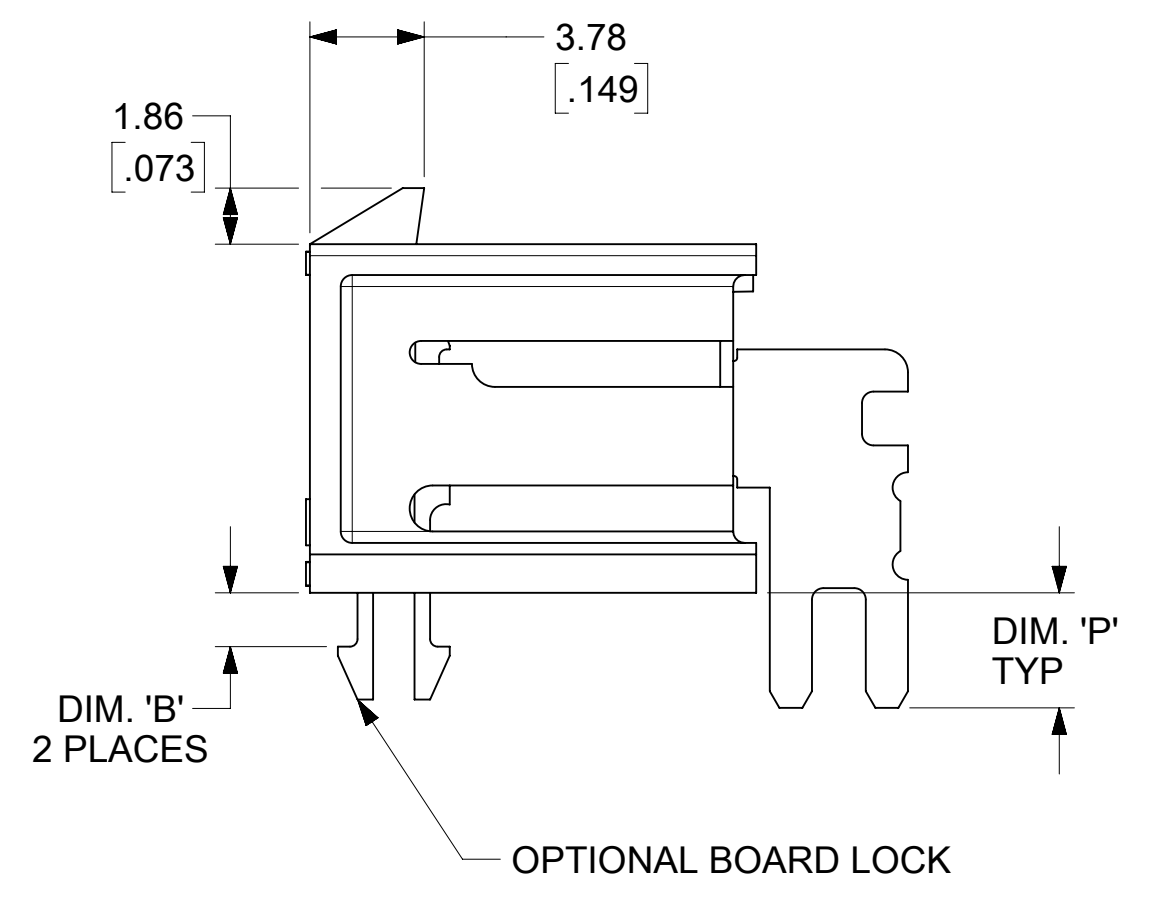
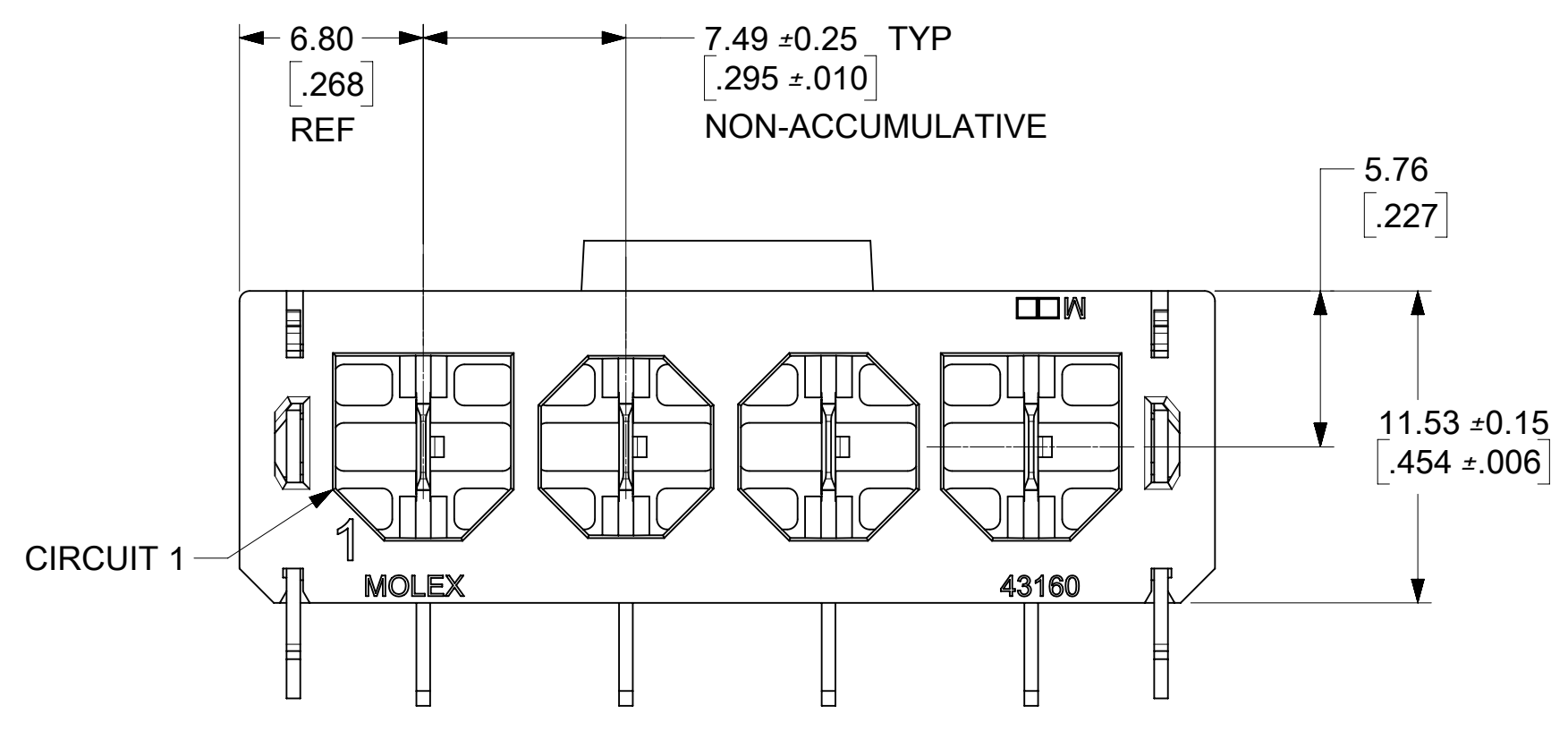
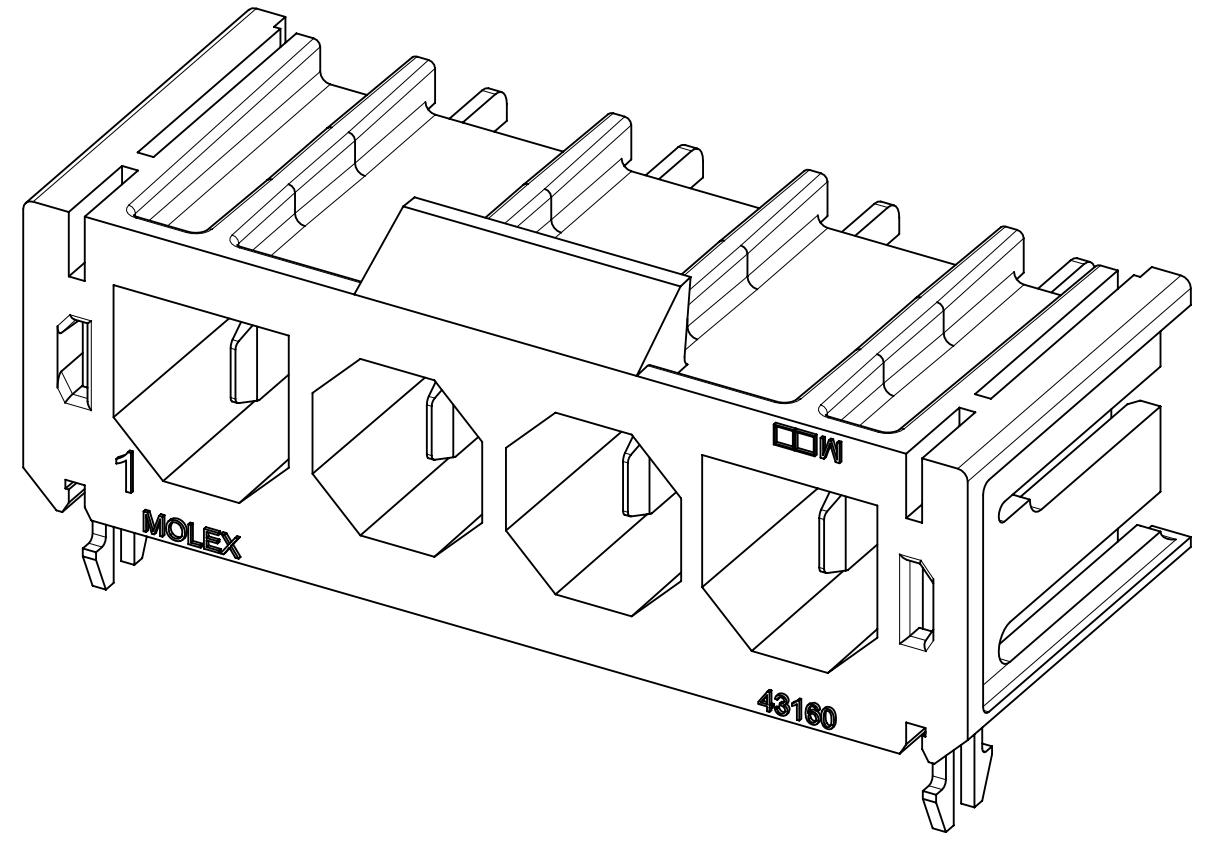
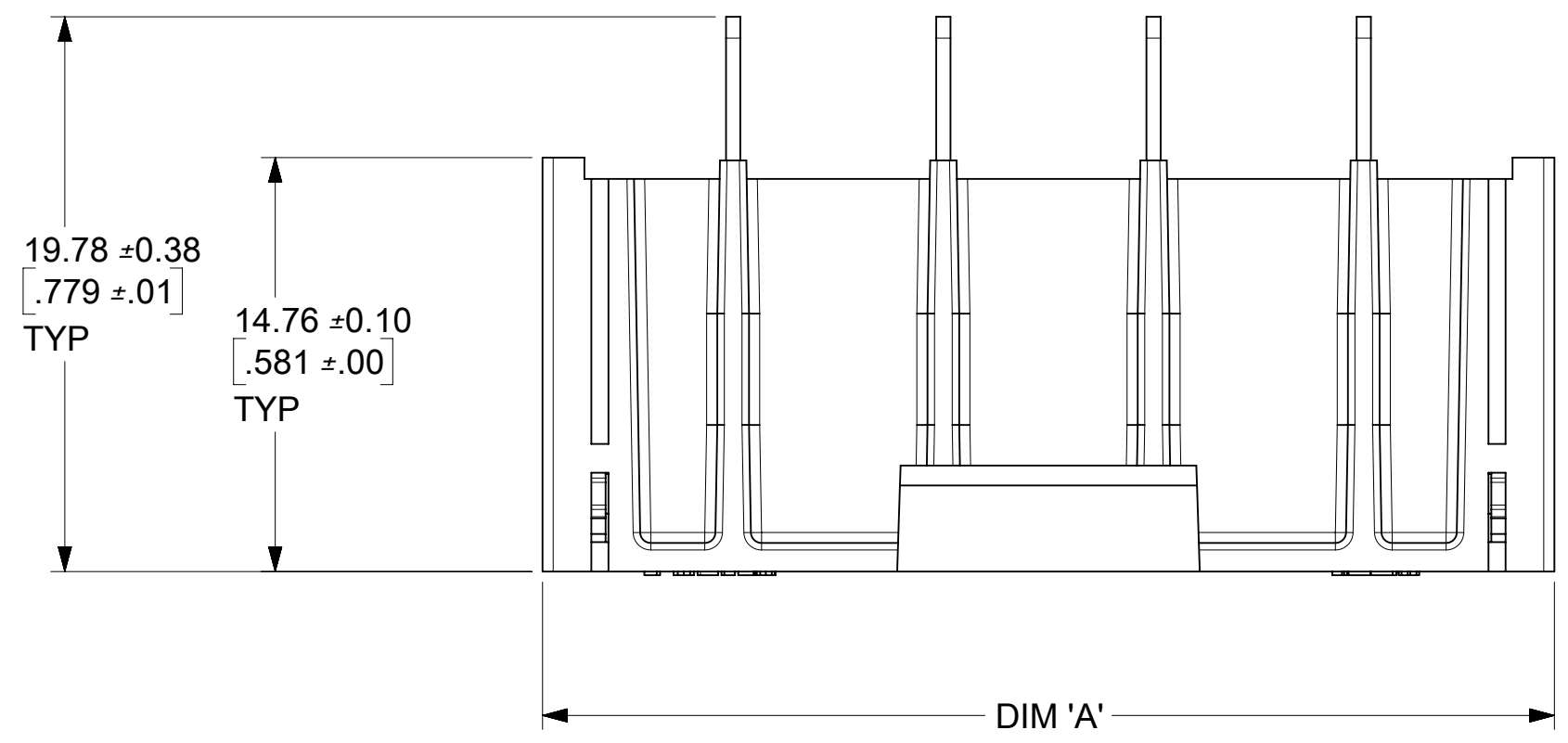
MATED DIMENSIONS VERTICAL HEADERS

FINGER PROOF VERTICAL HEADER ASSEMBLIES

ASSEMBLY PART NO.	CIRCUITS	FINGER PROOF TERMINAL CIRCUIT(S)	DIM. 'P' ± $\frac{0.51}{.020}$	BOARD LOCK	DIM. 'B' ± $\frac{0.10}{.004}$	PACKAGING SPEC.
43160-9002	3	1, 2	3.81/(.150) (SHORT TAIL)	NO	N/A	PK-43160-0010

SYMBOLS	THIS DRAWING CONTAINS INFORMATION THAT IS PROPRIETARY TO MOLEX ELECTRONIC TECHNOLOGIES, LLC AND SHOULD NOT BE USED WITHOUT WRITTEN PERMISSION		CURRENT REV DESC: CORRECTED		molex
	MM/IN	SCALE 2:1	DIMENSION UNITS IN TITLE BLOCK		
▽ = 0	GENERAL TOLERANCES (UNLESS SPECIFIED)		EC NO: 637904		SABRE HEADER ASSEMBLY 2-6 & 8 CIRCUIT .125/(.18) X .020/(.051)
▽ = 0	4 PLACES ±		DRWN: BZAPPA 2020/05/19		
▽ = 0	3 PLACES ±		CHK'D: MKIPPER 2020/05/21		
▽ = 0	2 PLACES ± 0.13 ± 0.01		APPR: FSMITH 2020/05/26		
▽ = 0	1 PLACE ± 0.25 ±		INITIAL REVISION:		
▽ = 0	0 PLACES ±		DRWN: MKIPPER 2019/09/06		
▽ = 0	ANGULAR TOL ± 0.5°		APPR: FSMITH 2019/09/17		
▽ = 0	DRAFT WHERE APPLICABLE MUST REMAIN WITHIN DIMENSIONS		THIRD ANGLE PROJECTION	DRAWING C-SIZE	SERIES 43160
DOCUMENT STATUS P1 RELEASE DATE 2020/05/26 17:59:01			DOCUMENT NUMBER 431600001-SD		DOC TYPE PSD
			CUSTOMER GENERAL MARKET		DOC PART 000
			SHEET NUMBER 2 OF 5		REVISION A1

CIRCUITS	DIM. 'A' ±	0.33 .013
2	21.08	.830
3	28.58	1.125
4	36.07	1.420
5	43.56	1.715
6	51.05	2.010
8	66.04	2.600

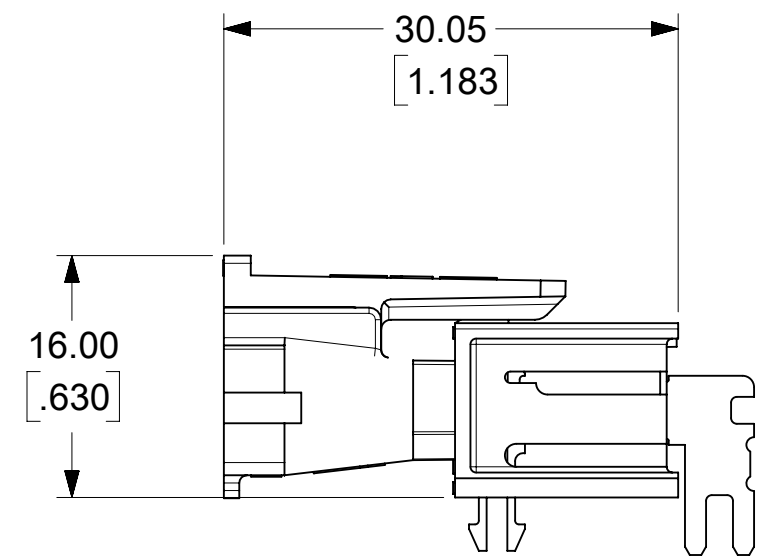
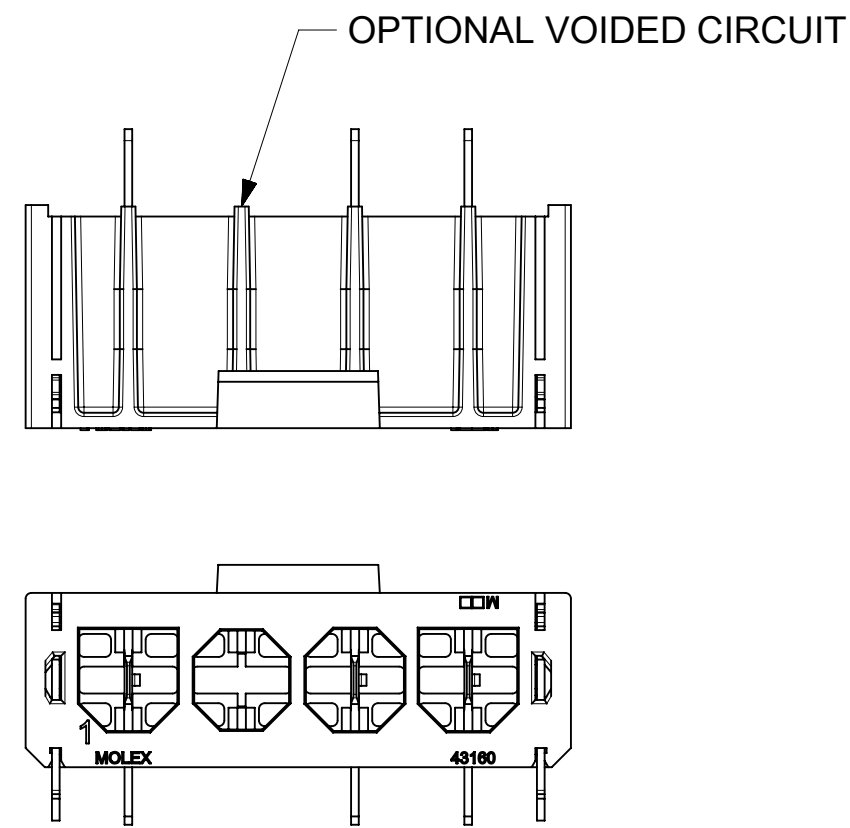
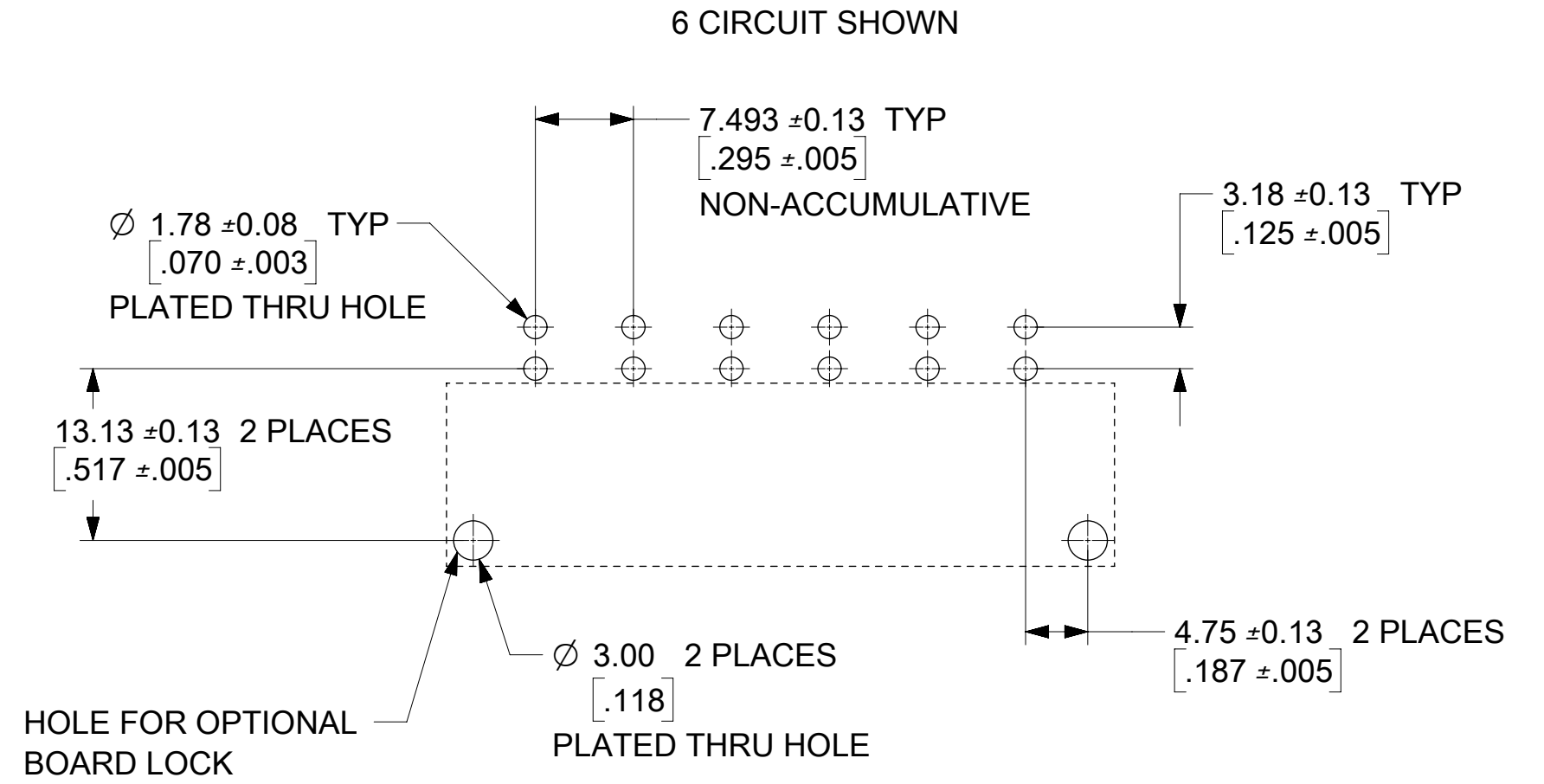


SYMBOLS	THIS DRAWING CONTAINS INFORMATION THAT IS PROPRIETARY TO MOLEX ELECTRONIC TECHNOLOGIES, LLC AND SHOULD NOT BE USED WITHOUT WRITTEN PERMISSION													
	DIMENSION UNITS		SCALE		CURRENT REV DESC: CORRECTED DIMENSION UNITS IN TITLE BLOCK									
∇ = 0	MM/IN	4:1		GENERAL TOLERANCES (UNLESS SPECIFIED)		EC NO: 637904				DOCUMENT NUMBER			DOC TYPE	DOC PART
∇ = 0						DRWN: BZAPPA 2020/05/19				431600001-SD		PSD	000	A1
∇ = 0						CHK'D: MKIPPER 2020/05/21				PRODUCT CUSTOMER DRAWING				
∇ = 0						APPR: FSMITH 2020/05/26				INITIAL REVISION:				
∇ = 0						DRWN: MKIPPER 2019/09/06				MATERIAL NUMBER		CUSTOMER		SHEET NUMBER
∇ = 0						APPR: FSMITH 2019/09/17				43160		GENERAL MARKET		3 OF 5
∇ = 0						DRAFT WHERE APPLICABLE MUST REMAIN WITHIN DIMENSIONS		THIRD ANGLE PROJECTION		DRAWING		SERIES		
∇ = 0								C-SIZE		43160				

DOCUMENT STATUS	P1	RELEASE DATE	2020/05/26	17:59:01
-----------------	----	--------------	------------	----------

RIGHT ANGLE HEADER ASSEMBLIES					
ASSEMBLY PART NO.	CIRCUITS	DIM. 'P' ± $\frac{0.28}{.011}$	BOARD LOCK	DIM. 'B' ± $\frac{0.10}{.004}$	PACKAGING SPEC.
43160-1102	2	3.81/(.150) (SHORT TAIL)	NO	N/A	PK-43160-0010
43160-1103	3				
43160-1104	4				
43160-1105	5				
43160-1106	6				
43160-1108	8				
43160-1302	2	5.33/(.210) (LONG TAIL)	NO	N/A	PK-43789-001
43160-1303	3				
43160-1304	4				
43160-1305	5				
43160-1306	6				
43160-1308	8				
43160-3102	2	3.81/(.150) (SHORT TAIL)	YES	1.78/(.070) FOR 1.57/(.062) PCB	PK-43789-001
43160-3103	3				
43160-3104	4				
43160-3105	5				
43160-3106	6				
43160-3108	8				
43160-5102	2	3.81/(.150) (SHORT TAIL)	YES	2.59/(.102) FOR 2.39/(.094) PCB	PK-43789-001
43160-5103	3				
43160-5104	4				
43160-5105	5				
43160-5106	6				
43160-5108	8				
43160-5302	2	5.33/(.210) (LONG TAIL)	YES	2.59/(.102) FOR 2.39/(.094) PCB	PK-43789-001
43160-5303	3				
43160-5304	4				
43160-5305	5				
43160-5306	6				
43160-5308	8				
43160-7302	2	5.33/(.210) (LONG TAIL)	YES	3.38/(.133) FOR 3.18/(.125) PCB	PK-43789-001
43160-7303	3				
43160-7304	4				
43160-7305	5				
43160-7306	6				
43160-7308	8				
ASSEMBLY PART NO.	CIRCUITS	DIM. 'P'	BOARD LOCK	DIM. 'B'	PACKAGING SPEC.

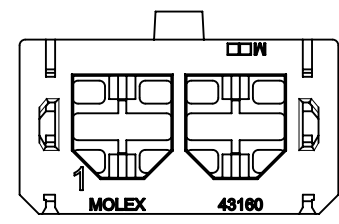
RECOMMENDED P.C. BOARD LAYOUT FOR RIGHT ANGLE HEADERS



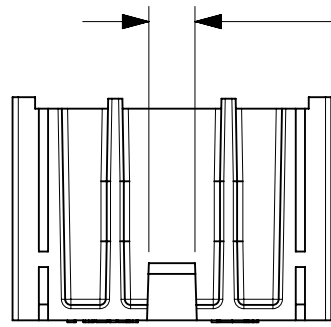
MATED DIMENSIONS RIGHT ANGLE HEADERS

RIGHT ANGLE HEADER ASSEMBLIES WITH VOIDED TERMINALS						
ASSEMBLY PART NO.	CIRCUITS	DIM. 'P' ± $\frac{0.28}{.011}$	BOARD LOCK	DIM. 'B' ± $\frac{0.10}{.004}$	PACKAGING SPEC.	VOID CIRCUIT(S)
43160-9001	4	3.81/(.150)	YES	1.78/(.070) FOR 1.57/(.062) PCB	PK-43789-001	2
43160-9003	5	(SHORT TAIL)				2, 4

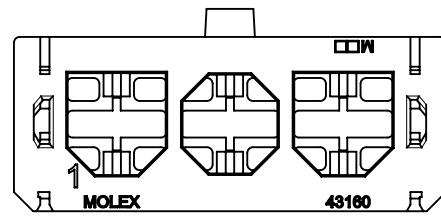
SYMBOLS	THIS DRAWING CONTAINS INFORMATION THAT IS PROPRIETARY TO MOLEX ELECTRONIC TECHNOLOGIES, LLC AND SHOULD NOT BE USED WITHOUT WRITTEN PERMISSION					
	DIMENSION UNITS		SCALE		CURRENT REV DESC: CORRECTED DIMENSION UNITS IN TITLE BLOCK	
▽ = 0	MM/IN		2:1			
▽ = 0	GENERAL TOLERANCES (UNLESS SPECIFIED)					EC NO: 637904
▽ = 0			MM	INCH		
▽ = 0	4 PLACES	±			DRWN: BZAPPA	2020/05/19
▽ = 0	3 PLACES	±		± 0.005	CHK'D: MKIPPER	2020/05/21
▽ = 0	2 PLACES	±	0.13	± 0.01	APPR: FSMITH	2020/05/26
▽ = 0	1 PLACE	±	0.25	±	INITIAL REVISION:	
▽ = 0	0 PLACES	±			DRWN: MKIPPER	2019/09/06
▽ = 0	ANGULAR TOL		± 0.5°		APPR: FSMITH	2019/09/17
▽ = 0	DRAFT WHERE APPLICABLE MUST REMAIN WITHIN DIMENSIONS		THIRD ANGLE PROJECTION		DRAWING	SERIES
					C-SIZE	43160
DOCUMENT STATUS		P1	RELEASE DATE	2020/05/26 17:59:01		
DOCUMENT NUMBER		DOC TYPE		DOC PART	REVISION	
431600001-SD		PSD		000	A1	
MATERIAL NUMBER		CUSTOMER		SHEET NUMBER		
SEE CHARTS		GENERAL MARKET		4 OF 5		



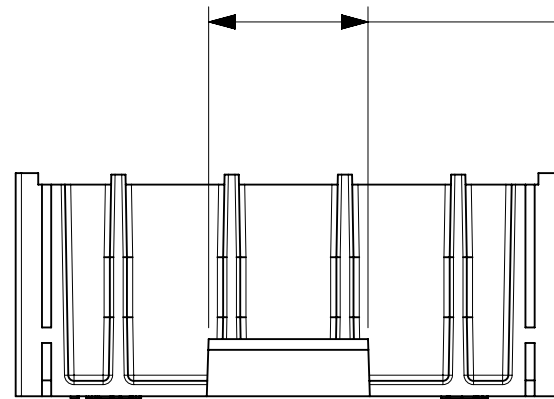
2 CIRCUITS



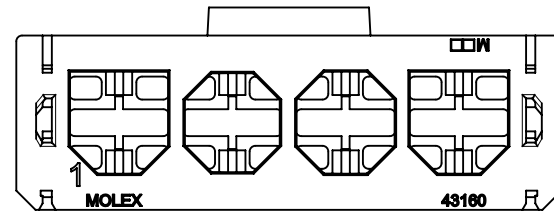
3.05
 .120
 2 AND 3 CIRCUIT



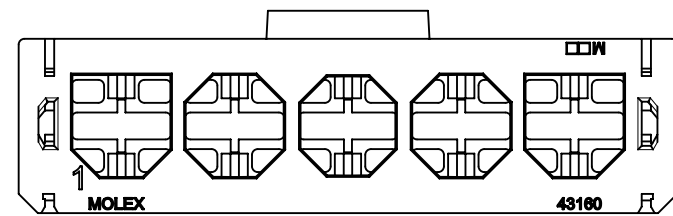
3 CIRCUITS



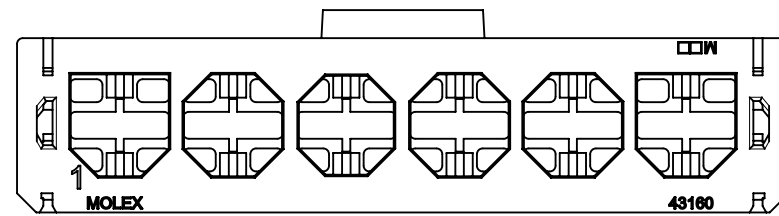
10.54
 .415
 4 CIRCUIT AND UP



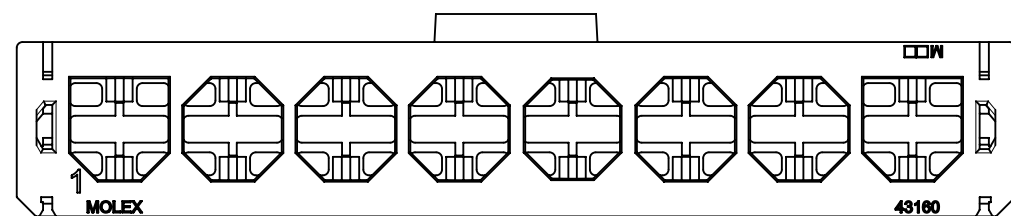
4 CIRCUITS



5 CIRCUITS



6 CIRCUITS



8 CIRCUITS

POLARIZATION

SYMBOLS	THIS DRAWING CONTAINS INFORMATION THAT IS PROPRIETARY TO MOLEX ELECTRONIC TECHNOLOGIES, LLC AND SHOULD NOT BE USED WITHOUT WRITTEN PERMISSION				
	DIMENSION UNITS	SCALE		CURRENT REV DESC: CORRECTED DIMENSION UNITS IN TITLE BLOCK	
∇ = 0	MM/IN	2:1		molex SABRE HEADER ASSEMBLY 2-6 & 8 CIRCUIT .125/(3.18) X .020/(0.51) PRODUCT CUSTOMER DRAWING	
∇ = 0	GENERAL TOLERANCES (UNLESS SPECIFIED)				
∇ = 0		MM	INCH		
∇ = 0	4 PLACES	±	±		
∇ = 0	3 PLACES	±	± 0.005	EC NO: 637904	
∇ = 0	2 PLACES	± 0.13	± 0.01	DRWN: BZAPPA	2020/05/19
∇ = 0	1 PLACE	± 0.25	±	CHK'D: MKIPPER	2020/05/21
∇ = 0	0 PLACES	±	±	APPR: FSMITH	2020/05/26
∇ = 0	ANGULAR TOL	± 0.5 °		INITIAL REVISION:	
∇ = 0	DRAFT WHERE APPLICABLE MUST REMAIN WITHIN DIMENSIONS		THIRD ANGLE PROJECTION	DRWN: MKIPPER	2019/09/06
				APPR: FSMITH	2019/09/17
				DRAWING	SERIES
				C-SIZE	43160
				MATERIAL NUMBER	CUSTOMER
				SEE CHARTS	GENERAL MARKET
				DOCUMENT NUMBER	DOC TYPE DOC PART REVISION
				431600001-SD	PSD 000 A1
				SHEET NUMBER	5 OF 5

X-ON Electronics

Largest Supplier of Electrical and Electronic Components

Click to view similar products for [Headers & Wire Housings](#) category:

Click to view products by [Molex](#) manufacturer:

Other Similar products are found below :

[892-18-020-10-001101](#) [58102-G61-06LF](#) [582553-1](#) [0009485154](#) [009176003701906](#) [0050291907](#) [LY20-4P-DT1-P1E-BR](#) [02.125.8002.8](#)
[609-3404](#) [61062-3](#) [622-0430](#) [622-3653LF](#) [63453-116](#) [636-1030](#) [636-1427](#) [636-3427](#) [636-4007](#) [641938-9](#) [641991-4](#) [644827-2](#) [65817-010LF](#)
[65817-015LF](#) [65863-015LF](#) [66207-023LF](#) [67095-007LF](#) [67601157](#) [68648-049](#) [70.362.1628.0](#) [70-4210](#) [70-4226B](#) [70-4853B](#) [707-5020](#) [707-5028](#) [71.350.2428.0](#) [71918-208LF](#) [71961-016LF](#) [733-134](#) [733-162](#) [754199-000](#) [760-3052](#) [787-8014-00](#) [79531-3000](#) [FCN-360C032-B](#) [FCN-367T-T012/H](#) [FCN-723D010/2](#) [80.063.4001.1](#) [800-90-001-10-001000](#) [800-90-010-10-002000](#) [801-43-002-10-013000](#) [801-43-006-10-002000](#)