

**PLEASE CHECK WWW.MOLEX.COM FOR LATEST PART INFORMATION**

**Part Number:** [0432028919](#)

**Status:** **Active**

**Overview:** [Magnetic and Modular Jacks/Plugs](#)

**Description:** Modular Jack, Right-Angle, Low Profile, Shielded, All Panel Grounding Tabs, with Bottom Grounding Tab, Front Position PCB Ground Tab, 8/8

**Documents:**

[3D Model](#)

[3D Model \(PDF\)](#)

[Drawing \(PDF\)](#)

[Packaging Specification PK-43202-004-001 \(PDF\)](#)

[RoHS Certificate of Compliance \(PDF\)](#)

**Agency Certification**

CSA LR19980  
UL E107635

**General**

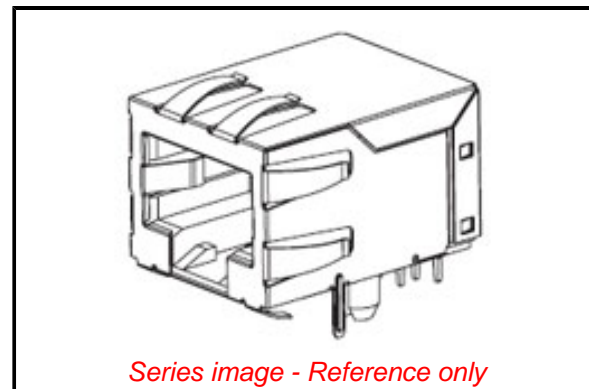
Product Family Modular Jacks/Plugs  
Series [43202](#)  
Comments Enhanced panel grounding tabs  
Component Type PCB Jack  
Magnetic No  
Overview [Magnetic and Modular Jacks/Plugs](#)  
Performance Category 3  
Power over Ethernet (PoE) N/A  
Product Name Modular Jack 8/8, RJ45  
UPC 800754883467

**Physical**

Color - Resin Black  
Durability (mating cycles max) 500  
Flammability 94V-0  
Inverted / Top Latch No  
Jack Height 12.09mm  
Lightpipes/LEDs None  
Material - Metal Brass, Phosphor Bronze  
Material - Plating Mating Gold  
Material - Plating Termination Tin  
Material - Resin High Temperature Thermoplastic  
Net Weight 4.297/g  
Orientation Right Angle (Side Entry)  
PCB Retention Yes  
PCB Thickness - Recommended 1.57mm  
Packaging Type Tray  
Panel Mount Without Flange  
Pitch - Mating Interface 1.02mm  
Pitch - Termination Interface 1.27mm  
Plating min - Mating 1.270µm  
Plating min - Termination 2.540µm  
Port Configuration 1x1  
Positions / Loaded Contacts 8/8  
Surface Mount Compatible (SMC) Yes  
Temperature Range - Operating -40° to +85°C  
Termination Interface: Style Through Hole  
Wire/Cable Type N/A

**Electrical**

Current - Maximum per Contact 1.5A



*Series image - Reference only*

**EU ELV**

**Not Relevant**

**EU RoHS**

**Compliant**

**REACH SVHC**

Not Contained Per -  
D(2021)4569-DC (8  
July 2021)

**Halogen-Free**

**Status**

**Low-Halogen**

For more information, please visit [Contact US](#)

China ROHS

ELV

RoHS Phthalates

**China RoHS**

Green Image

Not Relevant

Not Contained

**Search Parts in this Series**

[43202 Series](#)

**Mates With**

FCC 68 Plugs

Grounding to PCB	Yes
Grounding to Panel	Yes
Shielded	Yes
Voltage - Maximum	150V AC (RMS)

**Solder Process Data**

Duration at Max. Process Temperature (seconds)	005
Lead-free Process Capability	WAVE
Max. Cycles at Max. Process Temperature	001
Process Temperature max. C	260

**Material Info****Reference - Drawing Numbers**

Packaging Specification	PK-43202-004-001
Sales Drawing	SDA-43202-001

This document was generated on 09/23/2021

**PLEASE CHECK [WWW.MOLEX.COM](http://WWW.MOLEX.COM) FOR LATEST PART INFORMATION**

## X-ON Electronics

Largest Supplier of Electrical and Electronic Components

*Click to view similar products for [Modular Connectors](#) / [Ethernet Connectors](#) category:*

*Click to view products by [Molex](#) manufacturer:*

Other Similar products are found below :

[8949-H88/06BLKA/SN](#) [74441-0010/BKN](#) [MP1010RX-1000](#) [MP44RX-1000](#) [PHP-6P6C-5](#) [GAX-3-66](#) [GAX-8-62](#) [GDCX-PA-66-50](#) [GDCX-PN-64](#) [GDCX-PN-66](#) [GDCX-PN-66-50](#) [GDLX-A-66](#) [GDLX-N-66](#) [GDLX-S-66](#) [GDLX-S-88K](#) [GDTX-S-88-50](#) [GDX-PA-1010](#) [GLX-N-1010M-BLK](#) [GLX-S-88M-BLK](#) [GMX-N-1010](#) [GMX-S-1010](#) [GMX-S-66](#) [GMX-SMT4-N-88](#) [GPX-2-64](#) [GSGX-N-2-88](#) [GSGX-N-4-88](#) [GSX-NS2-88-3.05](#) [GSX-NS2-88-3.05-50](#) [GSX-NS-88-3.05-50](#) [GSX-NS-88-3.68](#) [PT-108A-8C-UL](#) [PT-J951-8C](#) [PTS-J531-8CS-50UL](#) [1-1775629-2](#) [A-2014-0-4](#) [GWLX-S-88-GR](#) [GWLX-S9-88-YG](#) [DC-1021-8-WH-6](#) [1300530003](#) [1324640-4](#) [RJ11FTVC2G](#) [RJ11FTVC2N](#) [RJFTVX2SA1G](#) [132764-001](#) [1413235](#) [MP88X-1000](#) [MPS88RX-5000](#) [MRJR-5481-0F2](#) [E5288-S000K3-L](#) [E5908-15A242-L](#)