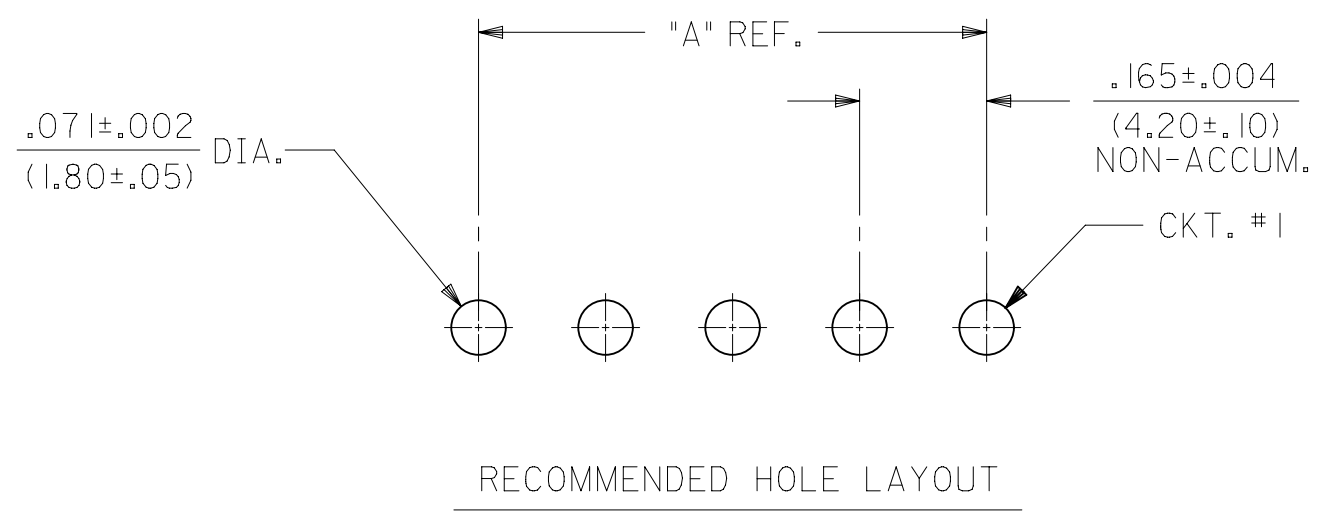
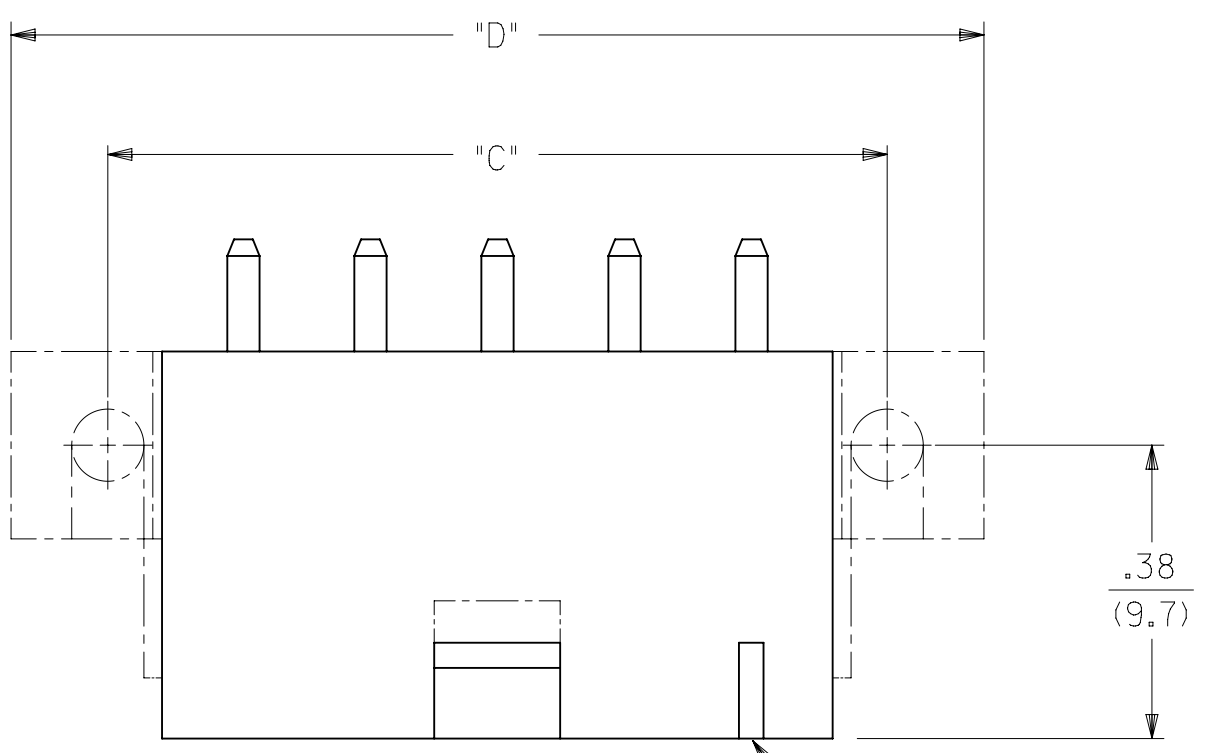
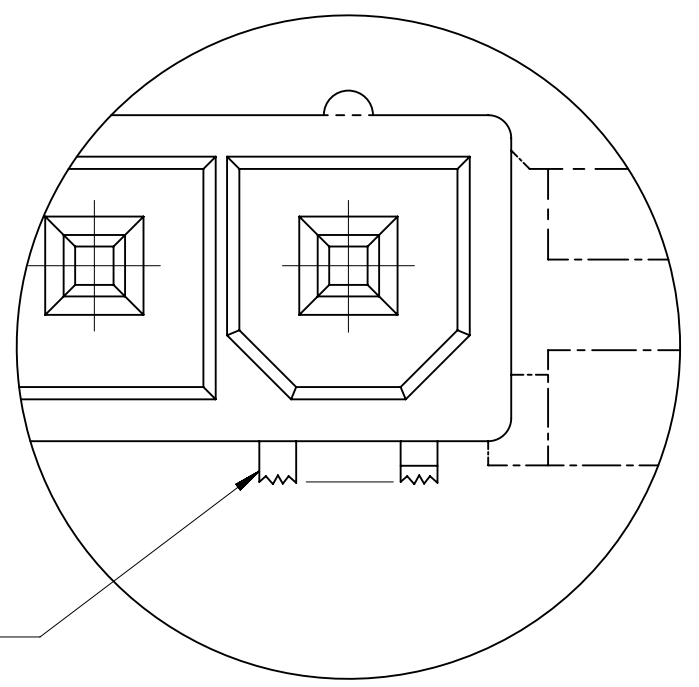
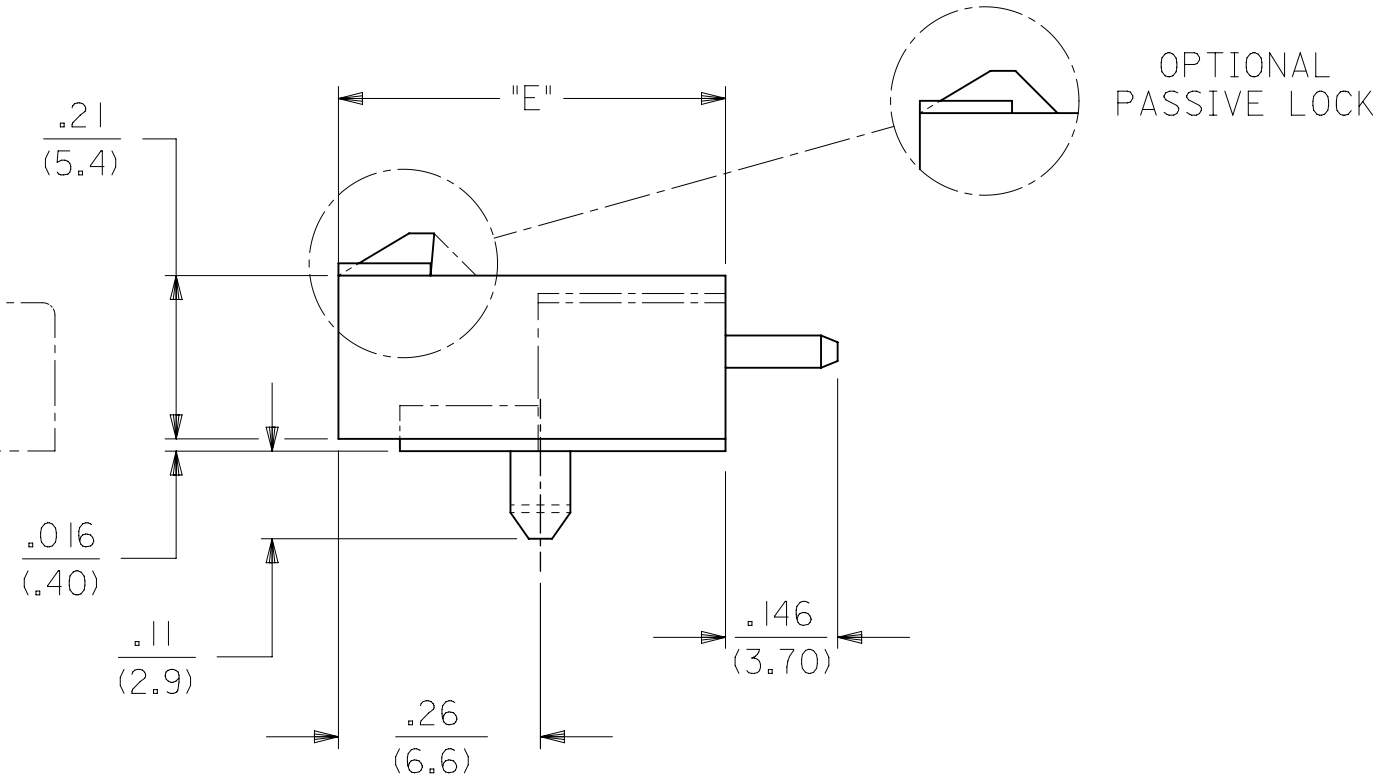
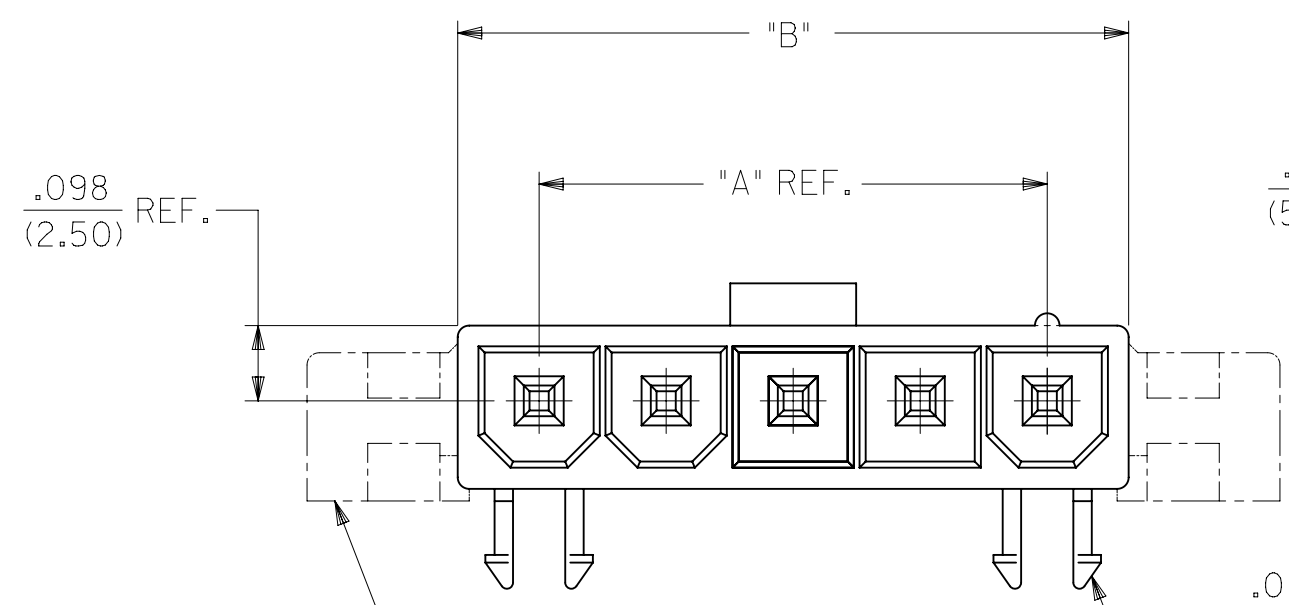


CIRCUIT SIZE	DIM. "A"	DIM. "B"	DIM. "C"	DIM. "D"	DIM. "E"
3	.331 (8.40)	.543 (13.80)	.685 (17.40)	.937 (23.80)	.490 (12.45)
4	.496 (12.60)	.709 (18.00)	.850 (21.60)	1.102 (28.00)	.504 (12.80)
5	.661 (16.80)	.874 (22.20)	1.016 (25.80)	1.268 (32.20)	.504 (12.80)
6	.827 (21.00)	1.039 (26.40)	1.181 (30.00)	1.433 (36.40)	.504 (12.80)
7	.992 (25.20)	1.205 (30.60)	1.346 (34.20)	1.598 (40.60)	.504 (12.80)
8	1.157 (29.40)	1.370 (34.80)	1.512 (38.40)	1.764 (44.80)	.504 (12.80)
9	1.323 (33.60)	1.535 (39.00)	1.677 (42.60)	1.929 (49.00)	.504 (12.80)
10	1.488 (37.80)	1.701 (43.20)	1.843 (46.80)	2.094 (53.20)	.504 (12.80)
11	1.654 (42.00)	1.866 (47.40)	2.008 (51.00)	2.260 (57.40)	.504 (12.80)
12	1.819 (46.20)	2.031 (51.60)	2.173 (55.20)	2.425 (61.60)	.504 (12.80)



RIB INDICATES CIRCUIT #1.



**DETAIL A**  
SHOWING PEG REMOVED OPTION (TYPICAL)

CUT-OFF BURR

**NOTES:**

- HOUSING MATERIAL:  
 "A" - NYLON 6/6, U.L. 94V-2, COLOR: NATURAL.  
 "B" - NYLON 6/6, U.L. 94V-0, COLOR: NATURAL.  
 TERMINAL MATERIAL: BRASS, ALLOY
- TERMINAL PLATING:  
 "A" - .000100/(0.00254) MIN. MATTE TIN OVER .000050/(0.00127) MIN. NICKEL  
 "B" - .000030/(0.00076) MIN. SELECT GOLD AND .000100/(0.00254) MIN. SELECT MATTE TIN OVER .000050/(0.00127) MIN. NICKEL OVERALL
- PRODUCT SPECIFICATION: PS-5556-001
- PACKAGING SPECIFICATION: 432420000-PK
- PART MATES WITH MINI-FIT JR. RECEPTACLE #5557.
- MOUNTING OPTIONS:  
 "1" - PEGS  
 "2" - FLANGES  
 "3" - PEGS REMOVED
- LOCK RAMP STYLES:  
 "1" - POSITIVE LOCK  
 "2" - PASSIVE LOCK
- ITEM NUMBERS PRECEDED BY AN "X" ARE NOT AVAILABLE.
- DISCOLORATION IN THE BANDOLIER CARRIER AREA OF THE PIN IS INHERENT TO THE PLATING PROCESS AND IS DUE TO THE MASKING EFFECT OF THE CARRIER. THIS DISCOLORATION IS IN A NON-FUNCTIONAL AREA OF THE PIN AND WILL NOT AFFECT THE PERFORMANCE OF THE HEADER ASSEMBLY.
- PART CONFORMS TO CLASS "B" REQUIREMENTS OF COSMETIC SPECIFICATION PS-45499-002.

<b>SYMBOLS</b> DIMENSION UNITS: IN/MM SCALE: 4:1 CURRENT REV DESC: CHG PK IN NOTE 4 GENERAL TOLERANCES (UNLESS SPECIFIED): 4 PLACES ± 3 PLACES ± 0.015 2 PLACES ± 0.38 1 PLACE ± 0 PLACES ± ANGULAR TOL ± 0.5° DRAFT WHERE APPLICABLE MUST REMAIN WITHIN DIMENSIONS THIRD ANGLE PROJECTION DRAWING SERIES: C-SIZE 43242	THIS DRAWING CONTAINS INFORMATION THAT IS PROPRIETARY TO MOLEX ELECTRONIC TECHNOLOGIES, LLC AND SHOULD NOT BE USED WITHOUT WRITTEN PERMISSION		EC NO: 167199 DRWN: AZAHIROVIC 2018/02/09 CHK'D: JBELL 2018/02/27 APPR: FSMITH 2018/03/09		<b>molex</b> SELECTIVELY LOADED SINGLE ROW VERT HDR ASSY MINI-FIT JR	
	PRODUCT CUSTOMER DRAWING DOCUMENT NUMBER: 432420000-SD DOC TYPE: PSD DOC PART: 000 REVISION: A		INITIAL REVISION: DRWN: NNGUYEN 2012/01/24 APPR: FSMITH 2012/02/02		MATERIAL NUMBER: SEE SHEET 2 CUSTOMER: GENERAL MARKET SHEET NUMBER: 1 OF 2	

ITEM NO.	CKT. SIZE	CHARACTERISTIC DESCRIPTION	MOUNTING OPTION	PLATING	LETTER INDICATES PLATING AT EACH CKT., SEE NOTE 5											
					1	2	3	4	5	6	7	8	9	10	11	12
43242-0005	03	03B3A1	PEGS REMOVED	A	A	A	A	-	-	-	-	-	-	-	-	-
43242-0006	04	04B3A1	PEG REMOVED	A	A	A	A	A	-	-	-	-	-	-	-	-

CHARACTERISTICS LEGEND:

CIRCUIT SIZE (03-12) \*\*\*

HOUSING MATERIAL \*\*

"A" = NYLON 6/6, U.L. 94V-2, COLOR: NATURAL  
 "B" = NYLON 6/6, U.L. 94V-0, COLOR: NATURAL \*

MOUNTING OPTION \*

1 = PEGS  
 2 = FLANGES  
 3 = PEGS REMOVED

PLATING COMBINATION \*

"A" = MATTE TIN  
 "B" = SELECT GOLD

LOCK RAMP STYLE \*

1 = POSITIVE LOCK  
 2 = PASSIVE LOCK

SYMBOLS	THIS DRAWING CONTAINS INFORMATION THAT IS PROPRIETARY TO MOLEX ELECTRONIC TECHNOLOGIES, LLC AND SHOULD NOT BE USED WITHOUT WRITTEN PERMISSION											
	DIMENSION UNITS	SCALE		CURRENT REV DESC: CHG PK IN NOTE 4								
= 0	IN/MM	1:1		EC NO: 167199 DRWN: AZAHIROVIC 2018/02/09 CHK'D: JBELL 2018/02/27 APPR: FSMITH 2018/03/09								
= 0	GENERAL TOLERANCES (UNLESS SPECIFIED)											
= 0		MM	INCH	INITIAL REVISION: DRWN: NNGUYEN 2012/01/24 APPR: FSMITH 2012/02/02								
= 0	4 PLACES	±	±									
= 0	3 PLACES	±	± 0.015	PRODUCT CUSTOMER DRAWING DOCUMENT NUMBER: 432420000-SD DOC TYPE: PSD DOC PART: 000 REVISION: A								
= 0	2 PLACES	± 0.38	±									
= 0	1 PLACE	±	±	MATERIAL NUMBER: SEE SHEET 2 CUSTOMER: GENERAL MARKET SHEET NUMBER: 2 OF 2								
= 0	0 PLACES	±	±									
= 0	ANGULAR TOL	± 0.5 °		THIRD ANGLE PROJECTION DRAWING: C-SIZE SERIES: 43242								
= 0	DRAFT WHERE APPLICABLE MUST REMAIN WITHIN DIMENSIONS											

## X-ON Electronics

Largest Supplier of Electrical and Electronic Components

*Click to view similar products for [Headers & Wire Housings](#) category:*

*Click to view products by [Molex](#) manufacturer:*

Other Similar products are found below :

[892-18-020-10-001101](#) [58102-G61-06LF](#) [582553-1](#) [0009485154](#) [009176003701906](#) [0050291907](#) [LY20-4P-DT1-P1E-BR](#) [02.125.8002.8](#)  
[609-3404](#) [61062-3](#) [622-0430](#) [622-3653LF](#) [63453-116](#) [636-1030](#) [636-1427](#) [636-3427](#) [636-4007](#) [641938-9](#) [641991-4](#) [644827-2](#) [65817-010LF](#)  
[65817-015LF](#) [65863-015LF](#) [66207-023LF](#) [67095-007LF](#) [67601157](#) [68648-049](#) [70.362.1628.0](#) [70-4210](#) [70-4226B](#) [70-4853B](#) [707-5020](#) [707-](#)  
[5028](#) [71.350.2428.0](#) [71918-208LF](#) [71961-016LF](#) [733-134](#) [733-162](#) [754199-000](#) [760-3052](#) [787-8014-00](#) [79531-3000](#) [FCN-360C032-B](#) [FCN-](#)  
[367T-T012/H](#) [FCN-723D010/2](#) [80.063.4001.1](#) [800-90-001-10-001000](#) [800-90-010-10-002000](#) [801-43-002-10-013000](#) [801-43-006-10-002000](#)