

**PLEASE CHECK WWW.MOLEX.COM FOR LATEST PART INFORMATION**

**Part Number:** [0436440012](#)  
**Status:** **Active**  
**Overview:** Mini-Fit Family Power Connectors  
**Description:** Mini-Fit BMI Header, 4.20mm Pitch, Dual Row, Right-Angle, 24 Circuits, PA Polyamide Nylon 6/6 94V-0, with Tin (Sn) Plating

**Documents:**

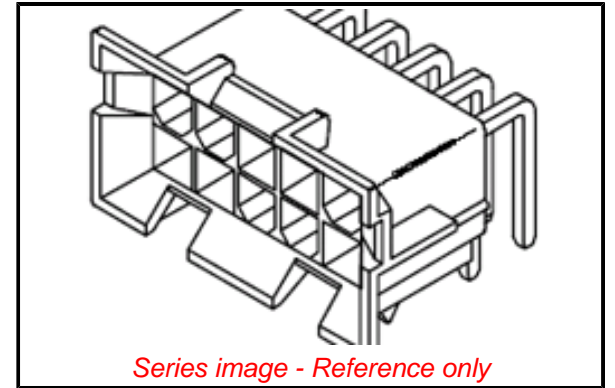
|  |  |
|--|--|
| <a href="#">3D Model</a>                                       | <a href="#">Product Specification PS-5556-002-001 (PDF)</a>    |
| <a href="#">3D Model (PDF)</a>                                 | <a href="#">Packaging Specification PK-42404-002-001 (PDF)</a> |
| <a href="#">Drawing (PDF)</a>                                  | <a href="#">Test Summary TS-42404-001-001 (PDF)</a>            |
| <a href="#">Product Specification 55560002-PS-CH-000 (PDF)</a> | <a href="#">Test Summary TS-5556-002-001 (PDF)</a>             |
| <a href="#">Product Specification 55560002-PS-ES-000 (PDF)</a> | <a href="#">RoHS Certificate of Compliance (PDF)</a>           |
| <a href="#">Product Specification 55560002-PS-SK-000 (PDF)</a> |  |

**General**

|                |   |
|----------------|---|
| Product Family | PCB Headers   |
| Series         | 43644   |
| Application    | Board-to-Board, Power, Wire-to-Board  |
| Comments       | Current = 13A max. per circuit when header is mated to a receptacle loaded with <a href="#">45750</a> Mini-Fit Plus HCS Crimp Terminal Crimped to 16 AWG wire., See Molex Product specification PS-5556-002 for additional current de-rating information. |
| Overview       | <a href="#">Mini-Fit Family Power Connectors</a>  |
| Product Name   | Mini-Fit BMI  |
| UPC            | 822350363280  |

**Physical**

|                                |                 |
|--------------------------------|-----------------|
| Breakaway                      | No              |
| Circuits (Loaded)              | 24              |
| Circuits (maximum)             | 24              |
| Color - Resin                  | Natural (White) |
| Durability (mating cycles max) | 30              |
| First Mate / Last Break        | No              |
| Glow-Wire Capable              | No              |
| Guide to Mating Part           | No              |
| Keying to Mating Part          | None            |
| Lock to Mating Part            | None            |
| Material - Metal               | Brass           |
| Material - Plating Mating      | Tin             |
| Material - Plating Termination | Tin             |
| Material - Resin               | Nylon           |
| Net Weight                     | 9.286/g         |
| Number of Rows                 | 2               |
| Orientation                    | Right Angle     |
| PC Tail Length                 | 3.30mm          |
| PCB Locator                    | Yes             |
| PCB Retention                  | None            |
| PCB Thickness - Recommended    | 2.40mm          |
| Packaging Type                 | Tray            |
| Pitch - Mating Interface       | 4.20mm          |
| Pitch - Termination Interface  | 4.20mm          |
| Plating min - Mating           | 2.540µm         |
| Plating min - Termination      | 2.540µm         |
| Polarized to PCB               | Yes             |
| Shrouded                       | Partial         |
| Stackable                      | No              |



**EU ELV**

**Not Relevant**

**EU RoHS**

**Compliant**

**REACH SVHC**

Not Contained Per - D(2021)4569-DC (8 July 2021)

**Halogen-Free**

**Status**

**Low-Halogen**

For more information, please visit [Contact US](#)

China ROHS

ELV

RoHS Phthalates

**China RoHS**

Green Image

Not Relevant

Not Contained

**Search Parts in this Series**

[43644](#) Series

**Mates With**

[44516](#) Slide-and-Lock Receptacle, [42474](#) Receptacle Housing, [44475](#) Mini-Fit Plus Receptacle Header, [5557](#) Dual Row Receptacle Housing, [42385](#) Receptacle Header

|                                |                |
|--------------------------------|----------------|
| Surface Mount Compatible (SMC) | No             |
| Temperature Range - Operating  | -40° to +105°C |
| Termination Interface: Style   | Through Hole   |

**Electrical**

|                               |       |
|-------------------------------|-------|
| Current - Maximum per Contact | 13.0A |
| Voltage - Maximum             | 600V  |

**Solder Process Data**

|  |      |
|--|------|
| Duration at Max. Process Temperature (seconds) | 005  |
| Lead-free Process Capability                   | WAVE |
| Max. Cycles at Max. Process Temperature        | 001  |
| Process Temperature max. C                     | 240  |

**Material Info****Reference - Drawing Numbers**

|                         |  |
|-------------------------|--|
| Packaging Specification | PK-42404-002-001   |
| Product Specification   | 55560002-PS-CH-000, 55560002-PS-ES-000,<br>55560002-PS-SK-000, PS-5556-002-001 |
| Sales Drawing           | SD-43644-002-000   |
| Test Summary            | TS-42404-001-001, TS-5556-002-001  |

This document was generated on 12/20/2021

**PLEASE CHECK [WWW.MOLEX.COM](http://WWW.MOLEX.COM) FOR LATEST PART INFORMATION**

## X-ON Electronics

Largest Supplier of Electrical and Electronic Components

*Click to view similar products for [Headers & Wire Housings](#) category:*

*Click to view products by [Molex](#) manufacturer:*

Other Similar products are found below :

[892-18-020-10-001101](#) [58102-G61-06LF](#) [582553-1](#) [0009485154](#) [009176003701906](#) [0050291907](#) [LY20-4P-DT1-P1E-BR](#) [02.125.8002.8](#)  
[609-3404](#) [61062-3](#) [622-0430](#) [622-3653LF](#) [63453-116](#) [636-1030](#) [636-1427](#) [636-3427](#) [636-4007](#) [641938-9](#) [641991-4](#) [644827-2](#) [65817-010LF](#)  
[65817-015LF](#) [65863-015LF](#) [66207-023LF](#) [67095-007LF](#) [67601157](#) [68648-049](#) [70.362.1628.0](#) [70-4210](#) [70-4226B](#) [70-4853B](#) [707-5020](#) [707-5028](#) [71.350.2428.0](#) [71918-208LF](#) [71961-016LF](#) [733-134](#) [733-162](#) [754199-000](#) [760-3052](#) [787-8014-00](#) [79531-3000](#) [FCN-360C032-B](#) [FCN-367T-T012/H](#) [FCN-723D010/2](#) [80.063.4001.1](#) [800-90-001-10-001000](#) [800-90-010-10-002000](#) [801-43-002-10-013000](#) [801-43-006-10-002000](#)