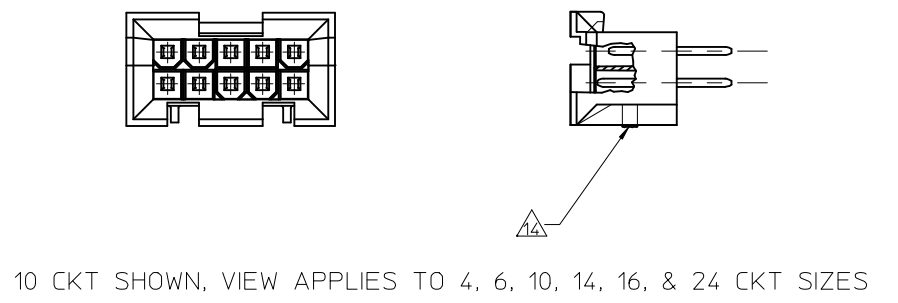
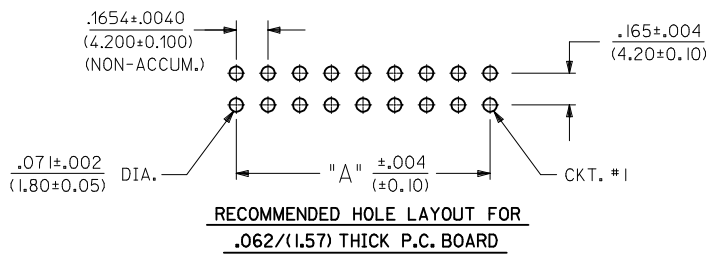


18 CKT PART SHOWN

- NOTES:**
- HOUSING MATERIAL: A = NYLON 6/6. U.L. 94V-2. COLOR: NATURAL.  
B = NYLON 6/6. U.L. 94V-0. COLOR: NATURAL.  
C = PBT POLYESTER 94V-0 COLOR: BLACK
  - TERMINAL MATERIAL: BRASS ALLOY
  - TERMINAL PLATING  
A = .000100/(.00254) MIN. MATTE TIN OVER  
.000050/(.00127) MIN. NICKEL.  
C = .000030/(0.00076) MIN. SELECT GOLD AND  
.000100/(0.00254) MIN. SELECT MATTE TIN  
OVER .000050/(0.00127) MIN. NICKEL OVERALL  
D = .000060/(0.00152) MIN REFLOWED MATTE TIN OVER  
.000050/(0.00127) MIN. NICKEL OVERALL.
  - PRODUCT SPECIFICATION: PS-5556-002
  - PACKAGING IN TRAYS PER PK-42404-002 EXCEPT 43693-0024 PACKAGED BULK
  - PART MATES WITH MINI-FIT JR. RECEPTACLES 5557, 42385, 42474 AND 44516.
  - PART ALLOWS FOR UP TO .100(2.54) MISALIGNMENT WITH MATING RECEPTACLE IN ANY DIRECTION. SEE MATING CONNECTOR DRAWINGS FOR SPECIFIC ALLOWANCE.
  - PARTS ARE NOT DESIGNED FOR CURRENT SHARING.
  - CONNECTORS ASSEMBLIES ARE NOT TO BE MATED OR UNMATED WHILE CIRCUITS ARE LIVE.
  - SEE CHART ON SHEET 2 FOR STANDARD, MAKE-FIRST/BREAK-LAST AND PLATING LOCATIONS.
  - ITEM NUMBERS PRECEDED BY AN "X" IN THE CHART ARE NOT AVAILABLE.
  - REFERENCE DIMENSION "C" NOT TO EXCEED .283(7.20) NOMINAL.
  - DISCOLORATION IN THE BANDOLIER CARRIER AREA OF THE PIN IS INHERENT TO THE PLATING PROCESS AND IS DUE TO THE MASKING EFFECT OF THE CARRIER. THIS DISCOLORATION IS IN A NON-FUNCTIONAL AREA OF THE PIN AND WILL NOT AFFECT THE PERFORMANCE OF THE HEADER ASSEMBLY.
  - PART CONFORMS TO CLASS "B" REQUIREMENTS OF COSMETIC SPECIFICATION PS-45499-002, EXCEPT CLASS "C" ON BOTH SIDE RIBS.
  - CUT OFF PEGS NOT TO PROTRUDE MORE THAN .030(0.76) ON ALL CIRCUIT SIZES EXCEPT 18 CIRCUIT PARTS WILL NOT HAVE CUT OFF PEGS.

36	2.811 (71.40)	3.236 (82.20)
24	1.819 (46.20)	2.244 (57.00)
22	1.654 (42.00)	2.079 (52.80)
20	1.488 (37.80)	1.913 (48.60)
18	1.323 (33.60)	1.748 (44.40)
16	1.157 (29.40)	1.583 (40.20)
14	.992 (25.20)	1.417 (36.00)
12	.827 (21.00)	1.252 (31.80)
10	.661 (16.80)	1.087 (27.60)
8	.496 (12.60)	.921 (23.40)
6	.331 (8.40)	.756 (19.20)
4	.165 (4.20)	.590 (15.00)
2	—	.425 (10.80)
CKT. SIZE	DIM. "A"	DIM. "B"



<b>UPDATE NOTE 14</b> EC NO: UCP2015-4258 DRWN: JONT 2015/06/25 CHKD: JBELL 2015/06/25 APPR: FSMITH 2015/07/10	QUALITY SYMBOLS ▽=0 ▽=0 ▽=0	GENERAL TOLERANCES (UNLESS SPECIFIED) mm INCH 4 PLACES ± --- ± --- 3 PLACES ± --- ± .015 2 PLACES ± 0.38 ± --- 1 PLACE ± --- ± --- ANGULAR ±1/2°	DIMENSION STYLE <b>IN/MM</b> DRAWN BY DATE GEP 3/11/96 CHECKED BY DATE RFJ 3/11/96 APPROVED BY DATE RFJ 3/11/96	SCALE <b>2:1</b> DESIGN UNITS <b>METRIC</b> THIRD ANGLE PROJECTION	<b>VERT. HEADER ASSY WITH MAKE-FIRST/BREAK-LAST MINI-FIT B.M.I. SERIES</b> <b>MOLEX INCORPORATED</b>	MATERIAL NO. <b>SEE CHART</b> SIZE <b>C</b>	DOCUMENT NO. <b>SDA-43693-****</b>	SHEET NO. <b>1 OF 2</b>
		DRAFT WHERE APPLICABLE MUST REMAIN WITHIN DIMENSIONS THIS DRAWING CONTAINS INFORMATION THAT IS PROPRIETARY TO MOLEX INCORPORATED AND SHOULD NOT BE USED WITHOUT WRITTEN PERMISSION						

13		12		11				10				9				8				7				6				5				4				3				2				1			
ITEM NO.	CHARACTERISTIC DESCRIPTION	CKT. SIZE	TERMINAL VERSION REQUIRED AT EACH CIRCUIT LOCATION: 'S' = STD. LENGTH 'M' = MAKE-FIRST/BREAK-LAST 'V' = VOIDED CIRCUIT																																DIM 'C' REF.												
			1	2	3	4	5	6	7	8	9	10	11	12	13	14	15	16	17	18	19	20	21	22	23	24	25	26	27	28	29	30	31	32		33	34	35	36								
43693-0001	IOAC	10	CS	CS	CM	CS	CS	CS	CS	CM	CS	CS	-	-	-	-	-	-	-	-	-	-	-	-	-	-	-	-	-	-	-	-	-	-	-	-	-	.283 (7.20)									
43693-0002	24BA	24	AM	AM	AM	AM	AM	AM	AM	AM	AM	AM	AM	AM	AM	AM	AM	AM	AS	AM	AM	AM	AM	AM	AM	AM	-	-	-	-	-	-	-	-	-	-	.154 (3.91)										
43693-0005	I6BA	16	AS	AS	AS	AS	AS	AS	AS	AS	AS	AS	AS	AS	AS	AS	AS	-	-	-	-	-	-	-	-	-	-	-	-	-	-	-	-	-	-	.150 (3.81)											
43693-0020	I8BA	18	AS	AS	AS	AS	AS	AS	AS	AS	AS	AS	AS	AS	AS	AS	AS	AS	AS	-	-	-	-	-	-	-	-	-	-	-	-	-	-	-	-	.209 (5.31)											
43693-0022	IOBA	10	AS	AM	AM	AM	AM	AM	AM	AM	AM	AM	-	-	-	-	-	-	-	-	-	-	-	-	-	-	-	-	-	-	-	-	-	-	.321 (8.15)												
43693-0024	10BC	10	CS	CS	CM	CS	CS	CM	CM	CM	CS	CS	-	-	-	-	-	-	-	-	-	-	-	-	-	-	-	-	-	-	-	-	-	-	.258 (6.55)												
43693-0027	I8BA	18	AS	AM	AM	AM	AM	AM	AM	AM	AM	AM	AM	AM	AM	AM	AM	AM	AS	-	-	-	-	-	-	-	-	-	-	-	-	-	-	-	-	.283 (7.20)											
43693-0030	I8BA	18	AS	AS	AS	AS	AS	AS	AS	AS	AS	AS	AS	AS	AS	AS	AS	AS	AS	-	-	-	-	-	-	-	-	-	-	-	-	-	-	-	-	.154 (3.91)											
43693-0031	I8BA	18	AM	AM	AM	AM	AM	AM	AM	AM	AM	AM	AM	AM	AM	AM	AM	AM	AM	-	-	-	-	-	-	-	-	-	-	-	-	-	-	-	-	.154 (3.91)											
43693-0037	18BD	18	DS	DM	DM	DM	DM	DM	DM	DM	DM	DM	DM	DM	DM	DM	DM	DM	DM	-	-	-	-	-	-	-	-	-	-	-	-	-	-	-	-	.258 (6.55)											

X = NOT AVAILABLE SEE NOTE 10

**CHARACTERISTICS LEGEND:**

CIRCUIT SIZE                 
(02-24 & 36)

HOUSING MAT'L. (SEE NOTE 1)  
 \*A\* = NYLON 6/6, U.L. 94V-2, COLOR: NATURAL  
 \*B\* = NYLON 6/6, U.L. 94V-0, COLOR: NATURAL  
 \*C\* = PBT POLYESTER 94V-0, COLOR: BLACK

**TERMINAL PLATING (SEE NOTE 2)**

A = MATTE TIN  
 C = SELECT GOLD  
 D = REFLOW MATTE TIN

SEE SHEET 1	EC NO: UCP2015-4258	2015/06/25
	DRWN: MONTI	2015/06/25
	CHKD: J BELL	2015/06/25
	APPR: F SMITH	2015/07/10
REV	DESCRIPTION	QUALITY SYMBOLS
D2		▽=0 ▽=0 ▽=0

GENERAL TOLERANCES (UNLESS SPECIFIED)

	mm	INCH
4 PLACES	± .015	± .0006
3 PLACES	± .015	± .0006
2 PLACES	± 0.38	± .015
1 PLACE	± .015	± .0006

ANGULAR ±1/2°

DRAFT WHERE APPLICABLE MUST REMAIN WITHIN DIMENSIONS

DIMENSION STYLE IN/MM

SCALE

DESIGN UNITS METRIC

THIRD ANGLE PROJECTION

DRAWN BY GEP DATE 3/11/96

CHECKED BY RFJ DATE 3/11/96

APPROVED BY RFJ DATE 3/11/96

MATERIAL NO. SEE CHART

SIZE C

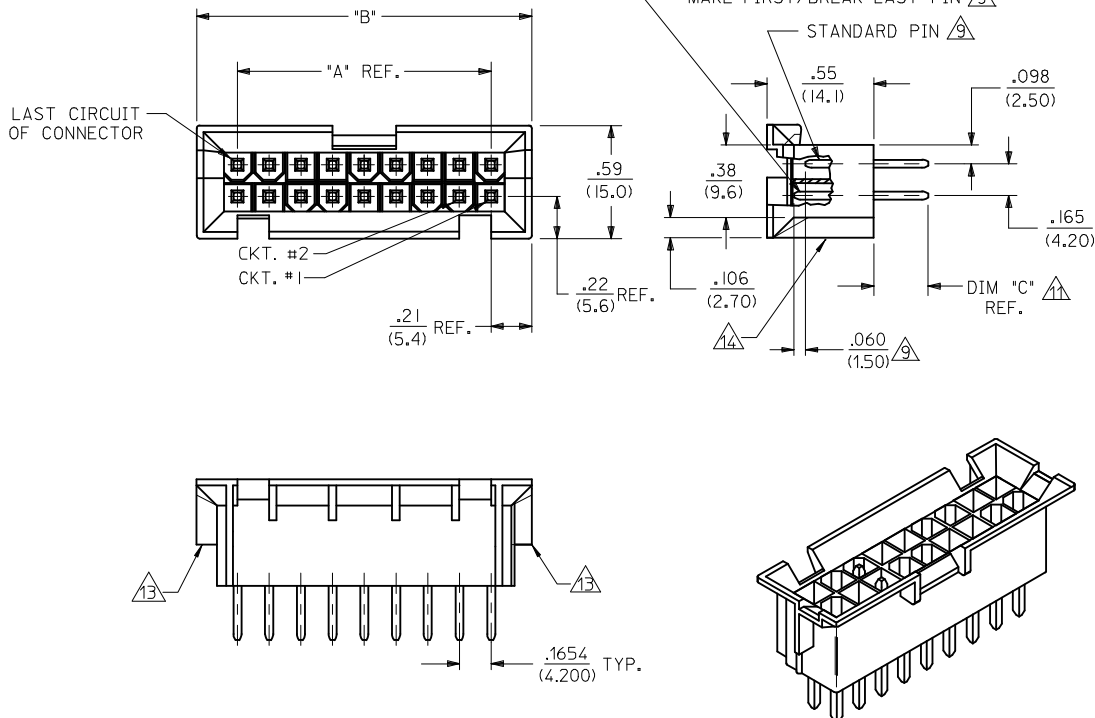
TITLE VERT. HEADER ASSY WITH MAKE-FIRST/BREAK-LAST MINI-FIT B.M.I. SERIES

MOLEX INCORPORATED

DOCUMENT NO. SDA-43693-\*\*\*\*

SHEET NO. 2 OF 2

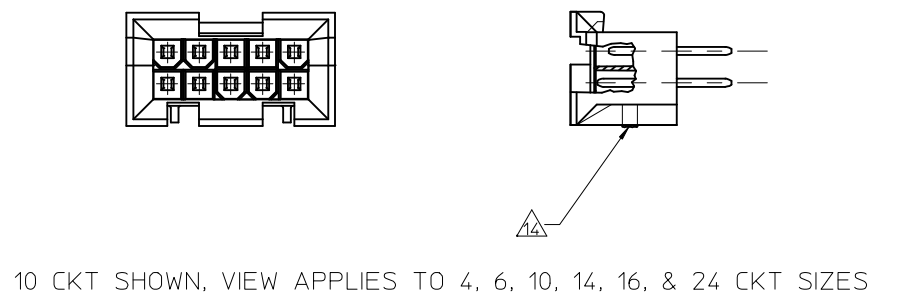
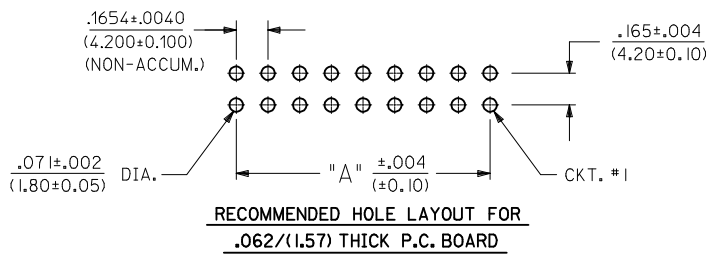
THIS DRAWING CONTAINS INFORMATION THAT IS PROPRIETARY TO MOLEX INCORPORATED AND SHOULD NOT BE USED WITHOUT WRITTEN PERMISSION



18 CKT PART SHOWN

- NOTES:**
- HOUSING MATERIAL: A = NYLON 6/6. U.L. 94V-2. COLOR: NATURAL.  
B = NYLON 6/6. U.L. 94V-0. COLOR: NATURAL.  
C = PBT POLYESTER 94V-0 COLOR: BLACK
  - TERMINAL MATERIAL: BRASS ALLOY
  - TERMINAL PLATING  
A = .000100/(.00254) MIN. MATTE TIN OVER  
.000050/(.00127) MIN. NICKEL.  
C = .000030/(0.00076) MIN. SELECT GOLD AND  
.000100/(0.00254) MIN. SELECT MATTE TIN  
OVER .000050/(0.00127) MIN. NICKEL OVERALL  
D = .000060/(0.00152) MIN REFLOWED MATTE TIN OVER  
.000050/(0.00127) MIN. NICKEL OVERALL.
  - PRODUCT SPECIFICATION: PS-5556-002
  - PACKAGING IN TRAYS PER PK-42404-002 EXCEPT 43693-0024 PACKAGED BULK
  - PART MATES WITH MINI-FIT JR. RECEPTACLES 5557, 42385, 42474 AND 44516.
  - PART ALLOWS FOR UP TO .100(2.54) MISALIGNMENT WITH MATING RECEPTACLE IN ANY DIRECTION. SEE MATING CONNECTOR DRAWINGS FOR SPECIFIC ALLOWANCE.
  - PARTS ARE NOT DESIGNED FOR CURRENT SHARING.
  - CONNECTORS ASSEMBLIES ARE NOT TO BE MATED OR UNMATED WHILE CIRCUITS ARE LIVE.
  - SEE CHART ON SHEET 2 FOR STANDARD, MAKE-FIRST/BREAK-LAST AND PLATING LOCATIONS.
  - ITEM NUMBERS PRECEDED BY AN "X" IN THE CHART ARE NOT AVAILABLE.
  - REFERENCE DIMENSION "C" NOT TO EXCEED .283(7.20) NOMINAL.
  - DISCOLORATION IN THE BANDOLIER CARRIER AREA OF THE PIN IS INHERENT TO THE PLATING PROCESS AND IS DUE TO THE MASKING EFFECT OF THE CARRIER. THIS DISCOLORATION IS IN A NON-FUNCTIONAL AREA OF THE PIN AND WILL NOT AFFECT THE PERFORMANCE OF THE HEADER ASSEMBLY.
  - PART CONFORMS TO CLASS "B" REQUIREMENTS OF COSMETIC SPECIFICATION PS-45499-002, EXCEPT CLASS "C" ON BOTH SIDE RIBS.
  - CUT OFF PEGS NOT TO PROTRUDE MORE THAN .030(0.76) ON ALL CIRCUIT SIZES EXCEPT 18 CIRCUIT PARTS WILL NOT HAVE CUT OFF PEGS.

36	2.811 (71.40)	3.236 (82.20)
24	1.819 (46.20)	2.244 (57.00)
22	1.654 (42.00)	2.079 (52.80)
20	1.488 (37.80)	1.913 (48.60)
18	1.323 (33.60)	1.748 (44.40)
16	1.157 (29.40)	1.583 (40.20)
14	.992 (25.20)	1.417 (36.00)
12	.827 (21.00)	1.252 (31.80)
10	.661 (16.80)	1.087 (27.60)
8	.496 (12.60)	.921 (23.40)
6	.331 (8.40)	.756 (19.20)
4	.165 (4.20)	.590 (15.00)
2	—	.425 (10.80)
CKT. SIZE	DIM. "A"	DIM. "B"



UPDATE NOTE 14 EC NO: UCP2015-4258 DRWN: JONT CHKD: JBELL APPR: FSMITH	2015/06/25 2015/06/25 2015/07/10	DESCRIPTION REV	QUALITY SYMBOLS ▽=0 ▽=0 ▽=0
--	--	--------------------	--------------------------------------

GENERAL TOLERANCES (UNLESS SPECIFIED)	DIMENSION STYLE IN/MM		SCALE 2:1	DESIGN UNITS METRIC	THIRD ANGLE PROJECTION
	mm	INCH	DRAWN BY GEP	DATE 3/11/96	TITLE VERT. HEADER ASSY WITH MAKE-FIRST/BREAK-LAST MINI-FIT B.M.I. SERIES
4 PLACES ±---	±---	±---	CHECKED BY RFJ	DATE 3/11/96	MOLEX INCORPORATED
3 PLACES ±---	±.015	±---	APPROVED BY RFJ	DATE 3/11/96	
2 PLACES ±0.38	±---	±---	MATERIAL NO. SEE CHART		DOCUMENT NO. SDA-43693-****
1 PLACE ±---	±---	±---	ANGULAR ±1/2°		SHEET NO. 1 OF 2
DRAFT WHERE APPLICABLE MUST REMAIN WITHIN DIMENSIONS			THIS DRAWING CONTAINS INFORMATION THAT IS PROPRIETARY TO MOLEX INCORPORATED AND SHOULD NOT BE USED WITHOUT WRITTEN PERMISSION		

ITEM NO.	CHARACTERISTIC DESCRIPTION	CKT. SIZE	TERMINAL VERSION REQUIRED AT EACH CIRCUIT LOCATION: 'S' = STD. LENGTH														'M' = MAKE-FIRST / BREAK-LAST														'V' = VOIDED CIRCUIT														DIM 'C' REF.
			1	2	3	4	5	6	7	8	9	10	11	12	13	14	15	16	17	18	19	20	21	22	23	24	25	26	27	28	29	30	31	32	33	34	35	36							
43693-0001	IOAC	10	CS	CS	CM	CS	CS	CS	CS	CM	CS	CS	-	-	-	-	-	-	-	-	-	-	-	-	-	-	-	-	-	-	-	-	-	-	-	-	-.283 (7.20)								
43693-0002	24BA	24	AM	AM	AM	AM	AM	AM	AM	AM	AM	AM	AM	AM	AM	AM	AM	AM	AM	AS	AM	AM	AM	AM	AM	AM	-	-	-	-	-	-	-	-	-	-	-.154 (3.91)								
43693-0005	I6BA	16	AS	AS	AS	AS	AS	AS	AS	AS	AS	AS	AS	AS	AS	AS	AS	AS	-	-	-	-	-	-	-	-	-	-	-	-	-	-	-	-	-	-.150 (3.81)									
43693-0020	I8BA	18	AS	AS	AS	AS	AS	AS	AS	AS	AS	AS	AS	AS	AS	AS	AS	AS	AS	-	-	-	-	-	-	-	-	-	-	-	-	-	-	-	-	-.209 (5.31)									
43693-0022	IOBA	10	AS	AM	AM	AM	AM	AM	AM	AM	AM	AM	-	-	-	-	-	-	-	-	-	-	-	-	-	-	-	-	-	-	-	-	-	-	-.321 (8.15)										
43693-0024	10BC	10	CS	CS	CM	CS	CS	CM	CM	CM	CS	CS	-	-	-	-	-	-	-	-	-	-	-	-	-	-	-	-	-	-	-	-	-	-	-.258 (6.55)										
43693-0027	I8BA	18	AS	AM	AM	AM	AM	AM	AM	AM	AM	AM	AM	AM	AM	AM	AM	AM	AM	-	-	-	-	-	-	-	-	-	-	-	-	-	-	-	-	-.283 (7.20)									
43693-0030	I8BA	18	AS	AS	AS	AS	AS	AS	AS	AS	AS	AS	AS	AS	AS	AS	AS	AS	AS	-	-	-	-	-	-	-	-	-	-	-	-	-	-	-	-	-.154 (3.91)									
43693-0031	I8BA	18	AM	AM	AM	AM	AM	AM	AM	AM	AM	AM	AM	AM	AM	AM	AM	AM	AM	-	-	-	-	-	-	-	-	-	-	-	-	-	-	-	-	-.154 (3.91)									
43693-0037	18BD	18	DS	DM	DM	DM	DM	DM	DM	DM	DM	DM	DM	DM	DM	DM	DM	DM	DM	-	-	-	-	-	-	-	-	-	-	-	-	-	-	-	-	-.258 (6.55)									

X = NOT AVAILABLE SEE NOTE 10



**CHARACTERISTICS LEGEND:**

CIRCUIT SIZE  $\frac{**}{*}$  HOUSING MAT'L. (SEE NOTE 1)  
 (02-24 & 36)

**TERMINAL PLATING (SEE NOTE 2)**

A = MATTE TIN  
 C = SELECT GOLD  
 D = REFLOW MATTE TIN

\*A\* = NYLON 6/6, U.L. 94V-2, COLOR: NATURAL  
 \*B\* = NYLON 6/6, U.L. 94V-0, COLOR: NATURAL  
 \*C\* = PBT POLYESTER 94V-0, COLOR: BLACK

<b>SEE SHEET 1</b> EC NO: UCP2015-4258 DRWN: MONTI 2015/06/25 CHKD: J.BELL 2015/06/25 APPR: F.SMITH 2015/07/10	QUALITY SYMBOLS $\nabla = 0$ $\nabla = 0$ $\nabla = 0$	GENERAL TOLERANCES (UNLESS SPECIFIED) <table border="1"> <tr> <th></th> <th>mm</th> <th>INCH</th> </tr> <tr> <td>4 PLACES</td> <td><math>\pm</math>---</td> <td><math>\pm</math>---</td> </tr> <tr> <td>3 PLACES</td> <td><math>\pm</math>---</td> <td><math>\pm</math>.015</td> </tr> <tr> <td>2 PLACES</td> <td><math>\pm</math>0.38</td> <td><math>\pm</math>---</td> </tr> <tr> <td>1 PLACE</td> <td><math>\pm</math>---</td> <td><math>\pm</math>---</td> </tr> </table>		mm	INCH	4 PLACES	$\pm$ ---	$\pm$ ---	3 PLACES	$\pm$ ---	$\pm$ .015	2 PLACES	$\pm$ 0.38	$\pm$ ---	1 PLACE	$\pm$ ---	$\pm$ ---	DIMENSION STYLE <b>IN/MM</b> DRAWN BY DATE GEP 3/11/96	SCALE DESIGN UNITS <b>METRIC</b>	THIRD ANGLE PROJECTION
		mm	INCH																	
	4 PLACES	$\pm$ ---	$\pm$ ---																	
3 PLACES	$\pm$ ---	$\pm$ .015																		
2 PLACES	$\pm$ 0.38	$\pm$ ---																		
1 PLACE	$\pm$ ---	$\pm$ ---																		
DRAFT WHERE APPLICABLE MUST REMAIN WITHIN DIMENSIONS	MATERIAL NO. <b>SEE CHART</b>	TITLE <b>VERT. HEADER ASSY WITH MAKE-FIRST/BREAK-LAST MINI-FIT B.M.I. SERIES</b>	APPROVED BY DATE RFJ 3/11/96	MOLEX INCORPORATED	SHEET NO. <b>2 OF 2</b>															
SIZE $\square$ THIS DRAWING CONTAINS INFORMATION THAT IS PROPRIETARY TO MOLEX INCORPORATED AND SHOULD NOT BE USED WITHOUT WRITTEN PERMISSION	DOCUMENT NO. <b>SDA-43693-****</b>																			

## X-ON Electronics

Largest Supplier of Electrical and Electronic Components

*Click to view similar products for [Headers & Wire Housings](#) category:*

*Click to view products by [Molex](#) manufacturer:*

Other Similar products are found below :

[892-18-020-10-001101](#) [58102-G61-06LF](#) [582553-1](#) [0009485154](#) [009176003701906](#) [0050291907](#) [LY20-4P-DT1-P1E-BR](#) [02.125.8002.8](#)  
[609-3404](#) [61062-3](#) [622-0430](#) [622-3653LF](#) [63453-116](#) [636-1030](#) [636-1427](#) [636-3427](#) [636-4007](#) [641938-9](#) [641991-4](#) [644827-2](#) [65817-010LF](#)  
[65817-015LF](#) [65863-015LF](#) [66207-023LF](#) [67095-007LF](#) [67601157](#) [68648-049](#) [70.362.1628.0](#) [70-4210](#) [70-4226B](#) [70-4853B](#) [707-5020](#) [707-](#)  
[5028](#) [71.350.2428.0](#) [71918-208LF](#) [71961-016LF](#) [733-134](#) [733-162](#) [754199-000](#) [760-3052](#) [787-8014-00](#) [79531-3000](#) [FCN-360C032-B](#) [FCN-](#)  
[367T-T012/H](#) [FCN-723D010/2](#) [80.063.4001.1](#) [800-90-001-10-001000](#) [800-90-010-10-002000](#) [801-43-002-10-013000](#) [801-43-006-10-002000](#)