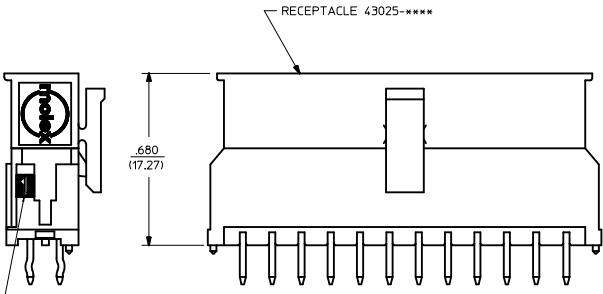
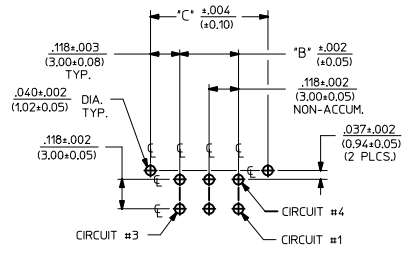


ASSEMBLY ITEM NUMBER	PART CHARACTERISTICS FOR VERTICAL		CKT. NO.	DIM. 'A'	DIM. 'B'	DIM. 'C'
	NUMBER OF POSITION	PLATING OPTION				
44067-0652	06	B	6	.498/(12.65)	.236/(6.00)	.472/(12.00)
44067-0851	08	A	8	.616/(15.65)	.354/(9.00)	.590/(15.00)
44067-0852	08	B	12	.852/(21.65)	.591/(15.00)	.827/(21.00)
44067-1253	12	C	14	.970/(24.65)	.709/(18.00)	.945/(24.00)
44067-1453	14	C	24	1.561/(39.65)	1.299/(33.00)	1.535/(39.00)
44067-2452	24	B				

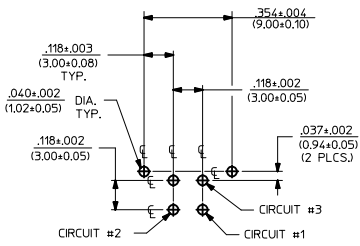


MATED MICRO-FIT CONNECTOR

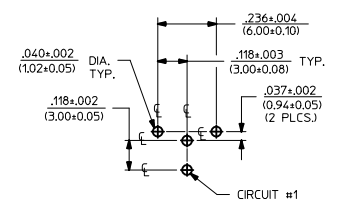
CIRCUIT "1" IDENTIFIED ON THIS SURFACE (APPROX. LOCATION SHOWN FOR REF.)



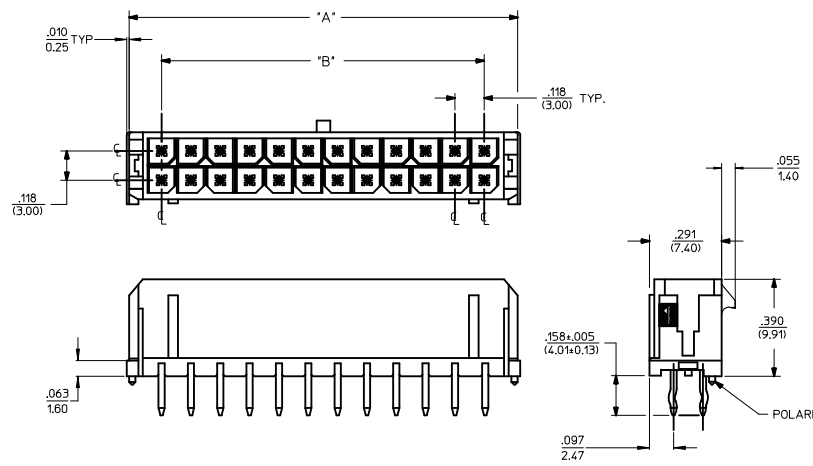
RECOMMENDED P.C. BOARD LAYOUT FOR 6 THRU 24 CIRCUIT HEADER



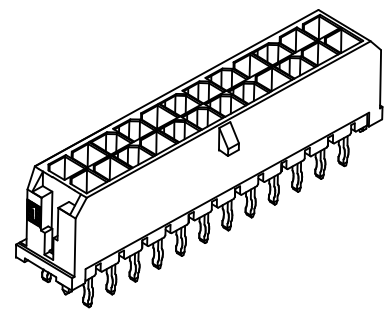
RECOMMENDED P.C. BOARD LAYOUT FOR 4 CIRCUIT HEADER



RECOMMENDED P.C. BOARD LAYOUT FOR 2 CIRCUIT HEADER



VERTICAL O.T.R. THRU HOLE (LONGER P.C. TAIL LENGTH)



VERTICAL KINKED THRU HOLE HEADER ISO VIEW

- NOTES:
- 1) MATERIAL:  
HOUSING - LIQUID CRYSTAL POLYMER (LCP), GLASS-FILLED UL94V-0, COLOR - BLACK  
TERMINAL - BRASS ALLOY
  - 2) FINISHES:  
\*A\* = .000100/(0.00254) MIN. TIN OVER  
.000050/(0.00127) MIN. NICKEL PLATE.  
\*B\* = .000015/(0.00038) MIN. SELECT GOLD IN CONTACT AREA.  
.000100/(0.00254) MIN. SELECT MATTE TIN ON SOLDER TAILS.  
BOTH OVER .000050/(0.00127) MIN. NICKEL PLATE.  
\*C\* = .000030/(0.00076) MIN. SELECT GOLD IN CONTACT AREA.  
.000100/(0.00254) MIN. SELECT MATTE TIN ON SOLDER TAILS.  
BOTH OVER .000050/(0.00127) MIN. NICKEL PLATE.
  - 3) PRODUCT SPECIFICATION: PS-43045.
  - 4) PACKAGING SPECIFICATIONS ARE SHOWN ON DRAWING PK-70873-0314.
  - 5) THIS HEADER MATES WITH MICRO-FIT RECEPTACLE 43025-\*\*\*\*.
  - 6) THIS HEADER IS DESIGNED IN METRIC.
  - 7) DESIGNED FOR 140/(3.56) MAX. THICK P.C. BOARDS.
  - 8) THE PRIMARY SHIPPING CARTON WILL BE LABELED, "COMPLIANT TO RoHS DIRECTIVE 2002/95/EC AND ELV ANNEX II OF DIRECTIVE 2000/53/EC." ASSEMBLIES WILL BE COMPLIANT TO THE RoHS AND ELV (LEAD-FREE) DIRECTIVES.
  - 9) THIS PART CONFORMS TO CLASS B REQUIREMENTS OF COSMETIC SPECIFICATION PS-45499-002.

ADD .2917/40 DIM. EC NO. UCP2010-3273 DRAWN BY: DRWNK/PPER CHYKDS/SSQSEK APPROV:FSMTH 2008/02/25 2010/06/17 2010/06/29	QUALITY SYMBOLS ▽=0 ▽=0 ▽=0	GENERAL TOLERANCES (UNLESS SPECIFIED)		DIMENSION STYLE		SCALE	DESIGN UNITS	THIRD ANGLE PROJECTION	
				IN/MM		4:1	METRIC		
				mm	INCH	DRAWN BY		DATE	TITLE
				4 PLACES ± ---	± ---	RHOLTS	2004/07/22	MICRO-FIT(3.0) 2-24 CKT. VERTICAL LEAD-FREE	
		3 PLACES ± ---	± .010	CHECKED BY		DATE			
		2 PLACES ± 0.25	± .014	LSCHM/DT		2004/07/22			
		1 PLACE ± 0.36	± ---	APPROVED BY		DATE			
		ANGULAR ±1/2°		FSMTH		2004/07/22	MOLEX INCORPORATED		
DRAFT WHERE APPLICABLE MUST REMAIN WITHIN DIMENSIONS		SEE CHART		MATERIAL NO.		DOCUMENT NO.	SHEET NO.		
				SD-44067-002		1 OF 1			
THIS DRAWING CONTAINS INFORMATION THAT IS PROPRIETARY TO MOLEX INCORPORATED AND SHOULD NOT BE USED WITHOUT WRITTEN PERMISSION									

## X-ON Electronics

Largest Supplier of Electrical and Electronic Components

*Click to view similar products for [Headers & Wire Housings](#) category:*

*Click to view products by [Molex](#) manufacturer:*

Other Similar products are found below :

[892-18-020-10-001101](#) [58102-G61-06LF](#) [582553-1](#) [0009485154](#) [009176003701906](#) [0050291907](#) [LY20-4P-DT1-P1E-BR](#) [02.125.8002.8](#)  
[609-3404](#) [61062-3](#) [61082-181009](#) [622-3653LF](#) [63453-116](#) [636-1030](#) [636-1427](#) [636-3427](#) [636-4007](#) [641938-9](#) [641991-4](#) [644827-2](#) [65817-](#)  
[010LF](#) [65817-015LF](#) [65863-015LF](#) [66207-023LF](#) [67095-007LF](#) [67601157](#) [68648-049](#) [70.362.1628.0](#) [70-4210](#) [70-4226B](#) [70-4853B](#) [707-](#)  
[5020](#) [707-5028](#) [71.350.2428.0](#) [71918-208LF](#) [71961-016LF](#) [733-134](#) [733-162](#) [754199-000](#) [760-3052](#) [787-8014-00](#) [79531-3000](#) [FCN-](#)  
[360C032-B](#) [FCN-367T-T012/H](#) [FCN-723D010/2](#) [80.063.4001.1](#) [800-90-001-10-001000](#) [800-90-010-10-002000](#) [801-43-002-10-013000](#)  
[801-43-006-10-002000](#)