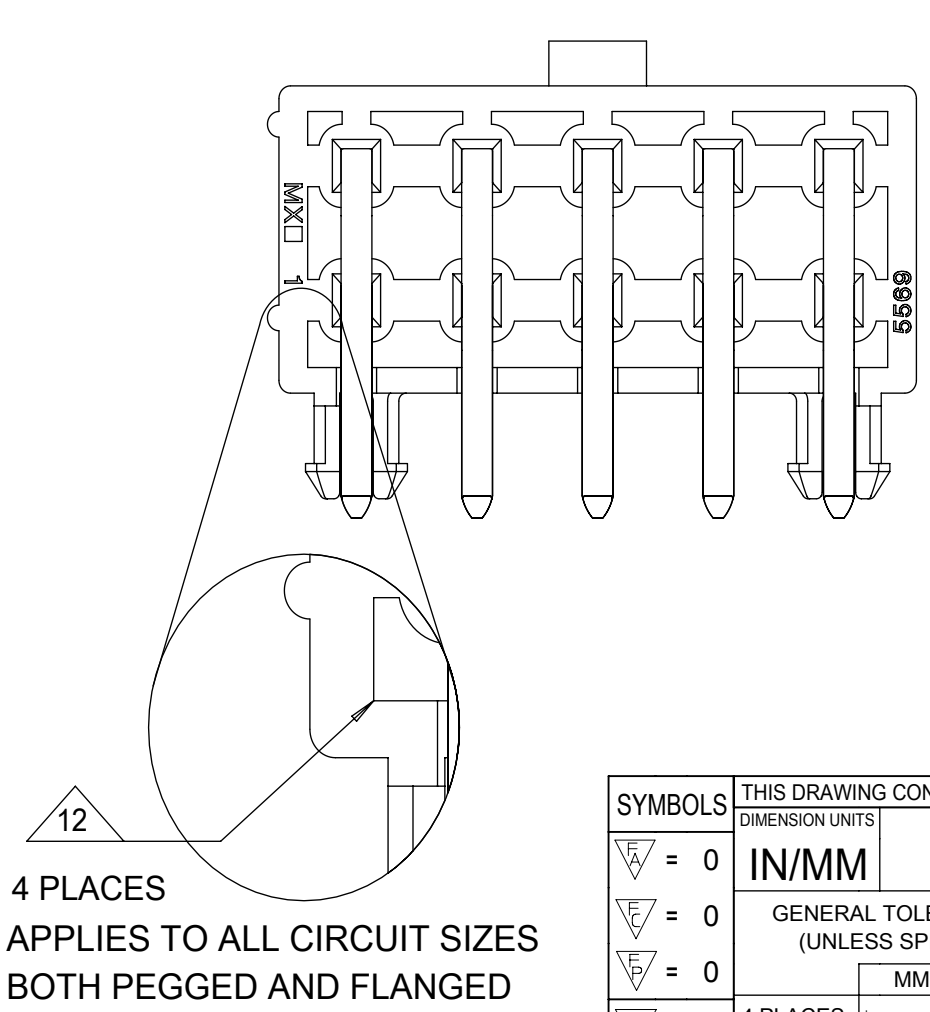


- NOTES:**
- MATERIALS:**  
HOUSING MATERIAL OPTIONS: SEE CHART FOR SPECIFIC PART  
 NYLON, UNFILLED, UL94V-2, COLOR: NATURAL  
 NYLON, UNFILLED, UL94V-2, COLOR: BLACK  
 NYLON, UNFILLED, UL94V-0, COLOR: NATURAL  
 NYLON, UNFILLED, UL94V-0, COLOR: BLACK  
 LCP GLASS FILLED, UL94V-0, COLOR: BLACK  
 IEC 60335-1, 5TH EDITION GLOW WIRE CAPABLE,  
 WITH PRESS FIT PEG -SEE SHEET 3  
 TERMINALS: BRASS
  - FINISH (PLATING) OPTIONS:** SEE CHART FOR SPECIFIC PART  
 "GS" = 0.00076/(.000030) MIN. SELECT GOLD AND  
 0.00254/(.0000100) SELECT MATTE TIN OVER  
 0.00127/(.000050) MIN. NICKEL  
 "MS" = 0.00254/(.000100) MIN. MATTE TIN OVER  
 0.00127/(.000050) MIN. NICKEL
  - PRODUCT SPECIFICATION:** PS-5556-004 FOR LCP GLASS FILLED MATERIAL,  
 PS-5556-001 FOR ALL OTHER MATERIALS.
  - PACKAGING:** SEE CHART: BULK PER PK-5569-002  
 TRAY PER PK-5569-003(PEGGED) OR PK-5569-004(FLANGES)
  - CIRCUITS SHOWN PROVIDE THE MAKE-FIRST/BREAK-LAST FEATURE.**  
 SEE CHARTS ON SHEETS 3 & 4 FOR SPECIFIC CIRCUIT LOCATIONS.
  - PART MATES WITH MINI-FIT JR. RECEPTACLE #5557.**
  - CONNECTORS ARE NOT TO BE MATED OR UNMATED WHILE CIRCUITS ARE LIVE.**
  - PARTS ARE NOT DESIGNED FOR CURRENT SHARING.**
  - DISCOLORATION IN THE BANDOLIER CARRIER AREA OF THE PIN IS INHERENT TO THE PLATING PROCESS AND IS DUE TO THE MASKING EFFECT OF THE CARRIER. THIS DISCOLORATION, IF PRESENT, IS IN A NON-FUNCTIONAL AREA OF THE PIN AND WILL NOT EFFECT THE PERFORMANCE OF THE HEADER ASSEMBLY.**
  - PART CONFORMS TO CLASS "B" REQUIREMENTS OF COSMETIC SPECIFICATION PS-45499-002.**
  - FORMING MARKS ARE ACCEPTABLE.**
  - CORNER CORE-OUTS ARE OPTIONAL AND MAY OR MAY NOT BE PRESENT.**
  - TEXT ON PART IS FOR REFERENCE ONLY. TEXT AND TEXT LOCATION MAY VARY DEPENDING ON PART NUMBER AND/OR TOOL.**

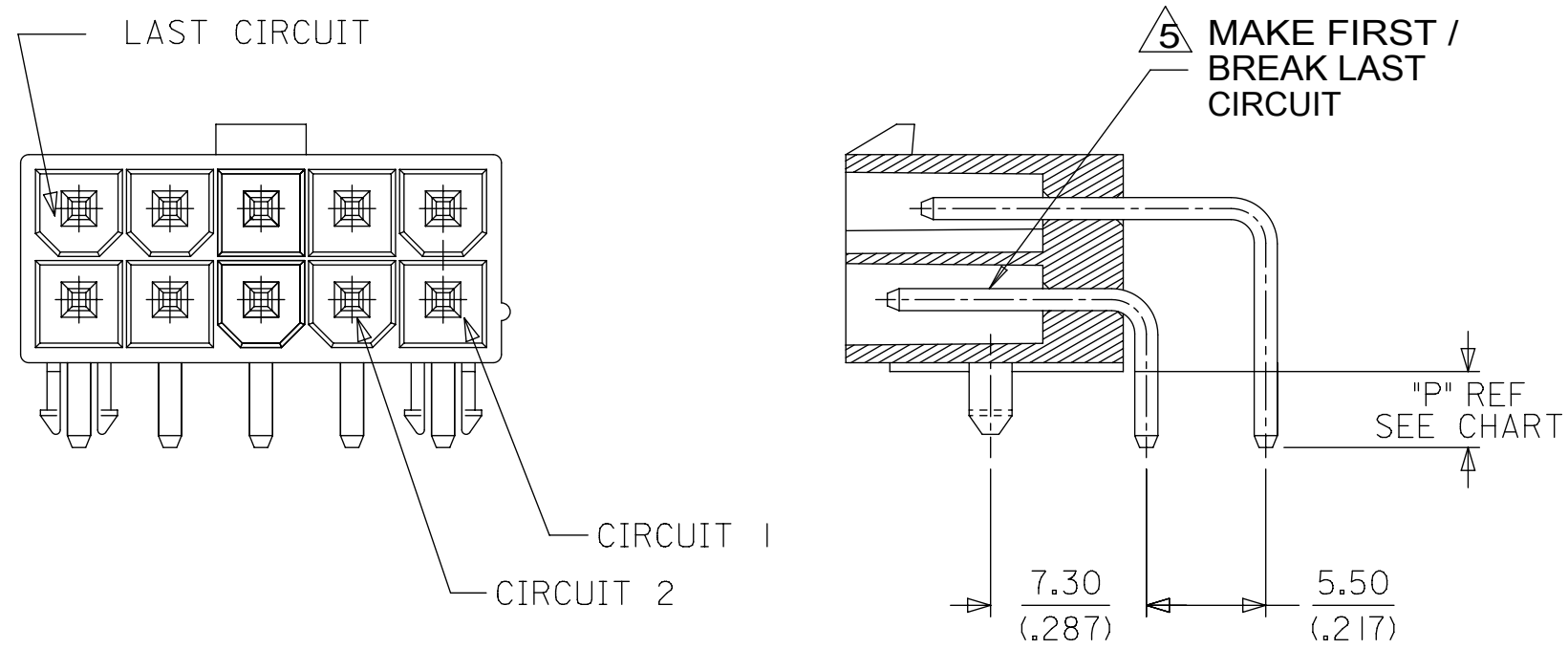


CIRCUIT SIZE	DIM. "A"	DIM. "B"	DIM. "C"	DIM. "D"
2	.606 (15.40)	N.A.	.213 (5.40)	.354 (9.00)
4	.772 (19.60)	.165 (4.20)	.378 (9.60)	.520 (13.20)
6	.937 (23.80)	.331 (8.40)	.543 (13.80)	.685 (17.40)
8	1.102 (28.00)	.496 (12.60)	.709 (18.00)	.850 (21.60)
10	1.268 (32.20)	.661 (16.80)	.874 (22.20)	1.016 (25.80)
12	1.433 (36.40)	.827 (21.00)	1.039 (26.40)	1.181 (30.00)
14	1.598 (40.60)	.992 (25.20)	1.205 (30.60)	1.346 (34.20)
16	1.764 (44.80)	1.157 (29.40)	1.370 (34.80)	1.512 (38.40)
18	1.929 (49.00)	1.323 (33.60)	1.535 (39.00)	1.677 (42.60)
20	2.094 (53.20)	1.488 (37.80)	1.701 (43.20)	1.843 (46.80)
22	2.260 (57.40)	1.654 (42.00)	1.866 (47.40)	2.008 (51.00)
24	2.425 (61.60)	1.819 (46.20)	2.031 (51.60)	2.173 (55.20)

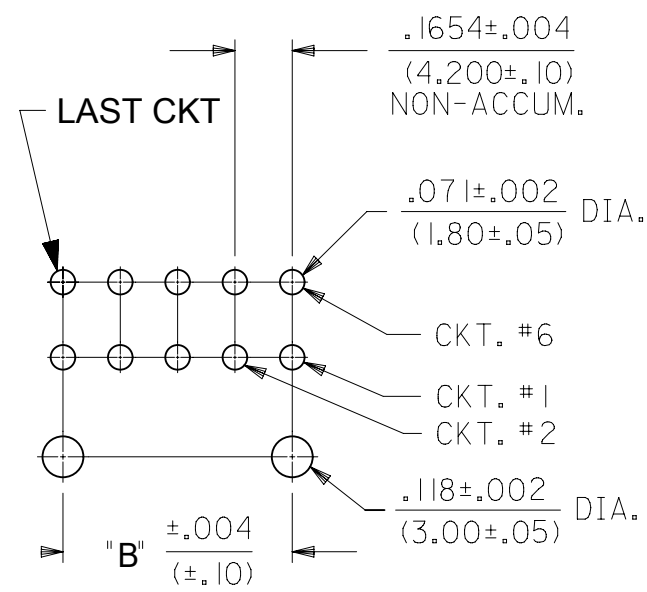
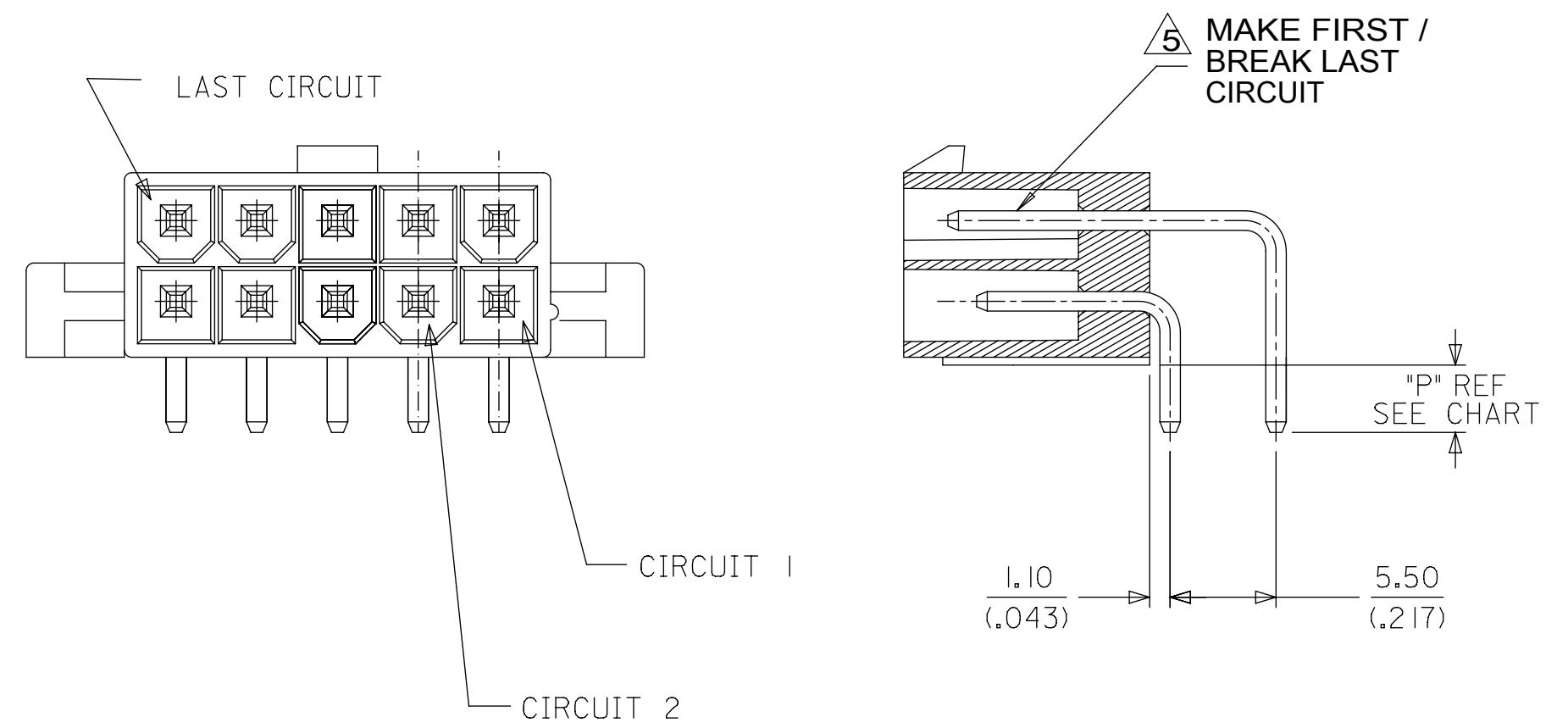
THIS DRAWING CONTAINS INFORMATION THAT IS PROPRIETARY TO MOLEX ELECTRONIC TECHNOLOGIES, LLC AND SHOULD NOT BE USED WITHOUT WRITTEN PERMISSION

<b>SYMBOLS</b>	<b>DIMENSION UNITS</b>	<b>SCALE</b>	<b>CURRENT REV DESC: ADDED 44130-0049 P/N</b>		
▽ = 0	<b>IN/MM</b>	<b>4:1</b>	<b>EC NO: 645384</b>		
▽ = 0	<b>GENERAL TOLERANCES (UNLESS SPECIFIED)</b>				
▽ = 0			<b>CHK'D: DSTEIER 2020/09/18</b>		
▽ = 0					
▽ = 0			<b>INITIAL REVISION:</b>		
▽ = 0					
▽ = 0			<b>APPR: FSMITH 2011/05/18</b>		
▽ = 0					
▽ = 0			<b>DRAWING SERIES</b>		
▽ = 0					
▽ = 0			<b>DOCUMENT NUMBER</b>		
▽ = 0					
▽ = 0			<b>DOC TYPE DOC PART REVISION</b>		
▽ = 0					
▽ = 0			<b>MATERIAL NUMBER CUSTOMER SHEET NUMBER</b>		
▽ = 0					

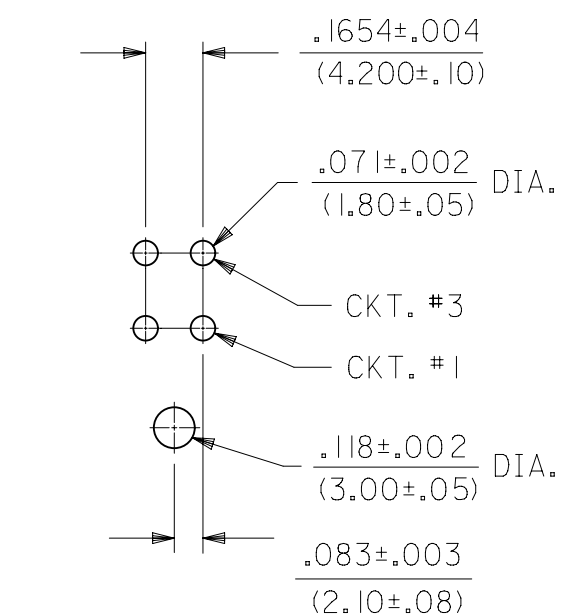
# HOUSING WITH PEGS



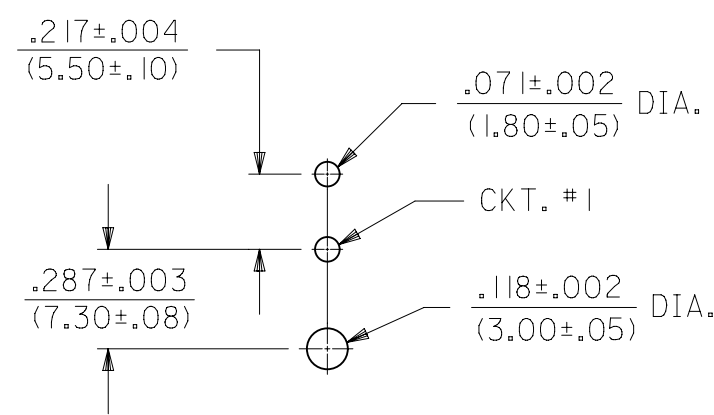
# HOUSING WITH FLANGE



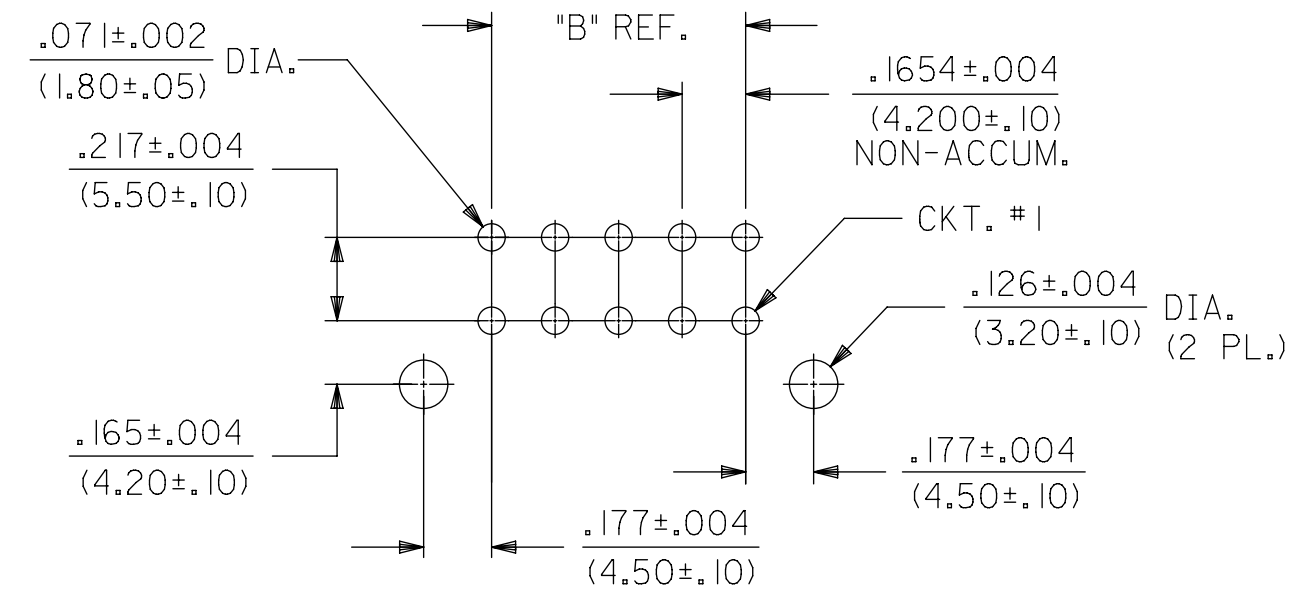
RECOMMENDED HOLE LAYOUT FOR .070/(1.78) MAX. THICK P.C. BOARD VIEWED FROM COMPONENT SIDE FOR 6 THRU 24 CIRCUITS



RECOMMENDED HOLE LAYOUT FOR .070/(1.78) MAX. THICK P.C. BOARD VIEWED FROM COMPONENT SIDE FOR 4 CIRCUIT PARTS



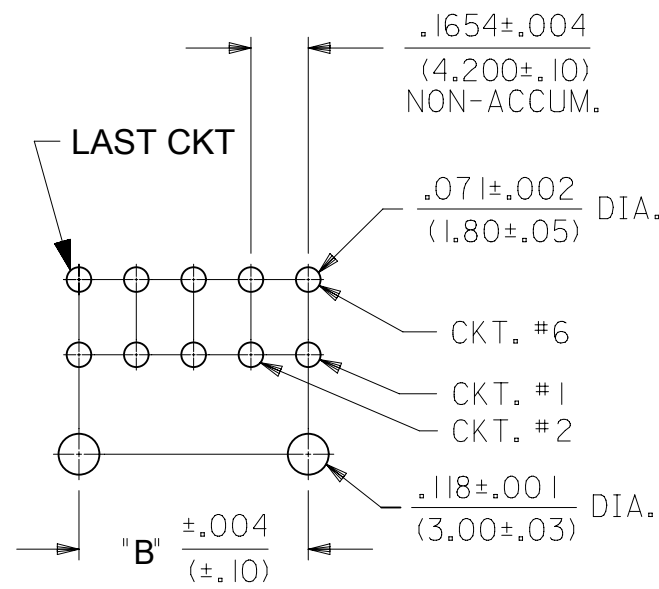
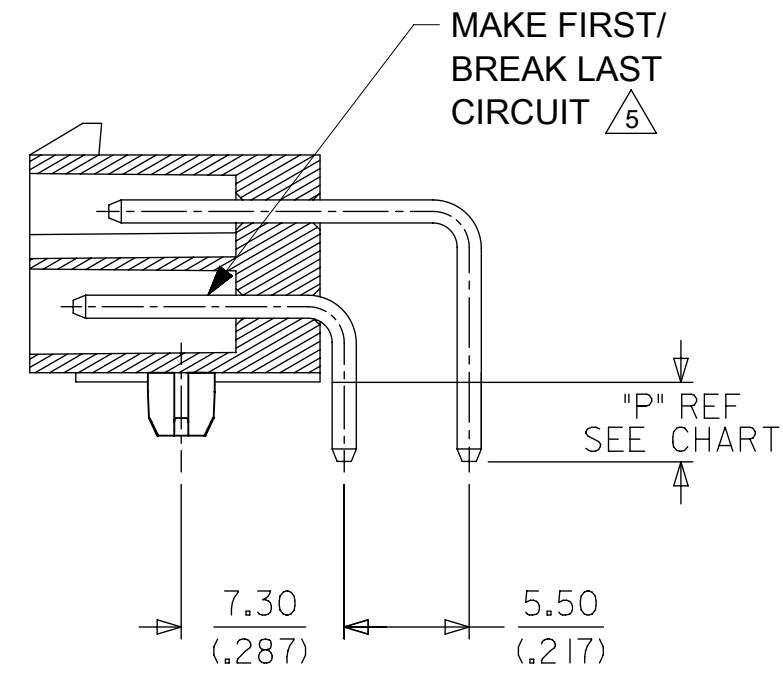
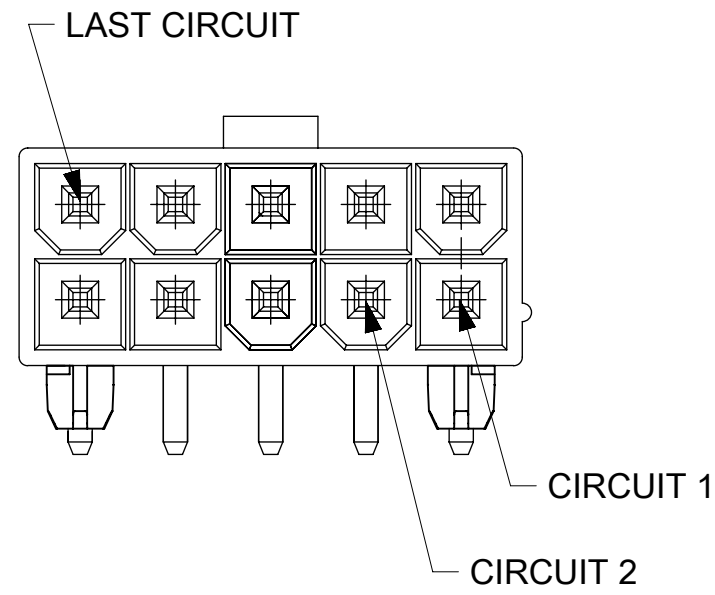
RECOMMENDED HOLE LAYOUT FOR .070/(1.78) MAX. THICK P.C. BOARD VIEWED FROM COMPONENT SIDE FOR 2 CIRCUIT PARTS



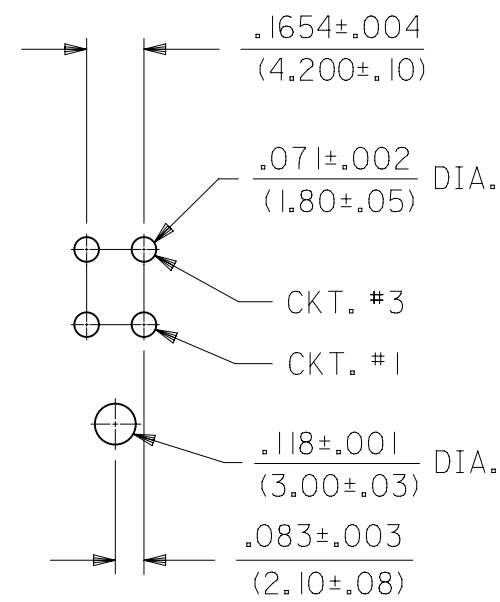
RECOMMENDED HOLE LAYOUT FOR .070/(1.78) MAX. THICK P.C. BOARD. (FLANGE MOUNT)

THIS DRAWING CONTAINS INFORMATION THAT IS PROPRIETARY TO MOLEX ELECTRONIC TECHNOLOGIES, LLC AND SHOULD NOT BE USED WITHOUT WRITTEN PERMISSION										
SYMBOLS		DIMENSION UNITS		SCALE		CURRENT REV DESC: ADDED 44130-0049 P/N				
▽ = 0	▽ = 0	IN/MM		4:1		<b>molex</b> MINI-FIT JR RIGHT ANGLE HEADER ASSY CUSTOM HEADERS PRODUCT CUSTOMER DRAWING				
▽ = 0	▽ = 0	GENERAL TOLERANCES (UNLESS SPECIFIED)								
▽ = 0	▽ = 0		MM	INCH						
▽ = 0	▽ = 0	4 PLACES	±	±						
▽ = 0	▽ = 0	3 PLACES	±	±		EC NO: 645384	DRWN: EHAUGERUD	2020/09/15		
▽ = 0	▽ = 0	2 PLACES	±	0.38	±	CHK'D: DSTEIER	2020/09/18			
▽ = 0	▽ = 0	1 PLACE	±	0.38	±	APPR: FSMITH	2020/09/23			
▽ = 0	▽ = 0	0 PLACES	±	±		INITIAL REVISION:				
▽ = 0	▽ = 0	ANGULAR TOL ± 0.5 °				DRWN: POLGAR	1998/01/23			
▽ = 0	▽ = 0	DRAFT WHERE APPLICABLE MUST REMAIN WITHIN DIMENSIONS				APPR: FSMITH	2011/05/18			
		THIRD ANGLE PROJECTION		DRAWING		SERIES		MATERIAL NUMBER		
		C-SIZE		44130		SD-44130-001		CUSTOMER		
						SEE CHART		GENERAL MARKET		
								SHEET NUMBER		
								2 OF 5		

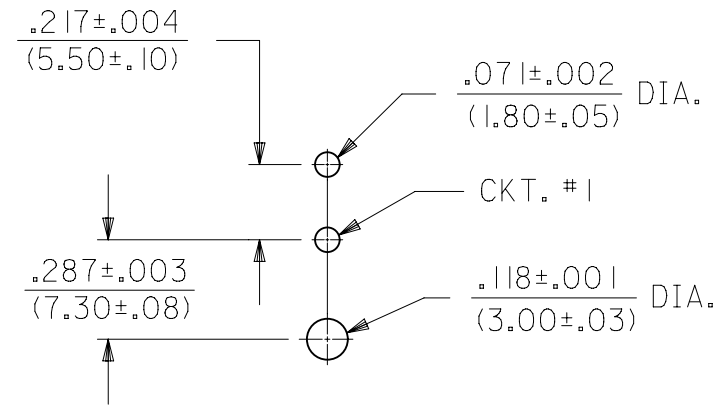
# HOUSING WITH PRESS FIT PEGS



RECOMMENDED HOLE LAYOUT FOR .070/(1.78) MAX. THICK P.C. BOARD VIEWED FROM COMPONENT SIDE FOR 6 THRU 24 CIRCUITS



RECOMMENDED HOLE LAYOUT FOR .070/(1.78) MAX. THICK P.C. BOARD VIEWED FROM COMPONENT SIDE FOR 4 CIRCUIT PARTS



RECOMMENDED HOLE LAYOUT FOR .070/(1.78) MAX. THICK P.C. BOARD VIEWED FROM COMPONENT SIDE FOR 2 CIRCUIT PARTS

SYMBOLS	THIS DRAWING CONTAINS INFORMATION THAT IS PROPRIETARY TO MOLEX ELECTRONIC TECHNOLOGIES, LLC AND SHOULD NOT BE USED WITHOUT WRITTEN PERMISSION			
	DIMENSION UNITS	SCALE		CURRENT REV DESC: ADDED 44130-0049 P/N
∇ = 0	IN/MM	4:1		<b>molex</b> MINI-FIT JR RIGHT ANGLE HEADER ASSY CUSTOM HEADERS
∇ = 0	GENERAL TOLERANCES (UNLESS SPECIFIED)			
∇ = 0		MM	INCH	EC NO: 645384
S = 0	4 PLACES	±	±	DRWN: EHAUGERUD 2020/09/15
∇ = 0	3 PLACES	±	±	CHK'D: DSTEIER 2020/09/18
∇ = 0	2 PLACES	± 0.38	±	APPR: FSMITH 2020/09/23
∇ = 0	1 PLACE	± 0.38	±	INITIAL REVISION:
∇ = 0	0 PLACES	±	±	DRWN: DRWN BY XXXX/XX/XX
∇ = 0	ANGULAR TOL	± 0.5°		APPR: APPR BY XXXX/XX/XX
∇ = 0	DRAFT WHERE APPLICABLE MUST REMAIN WITHIN DIMENSIONS	THIRD ANGLE PROJECTION	DRAWING	SERIES
			C-SIZE	44130
DOCUMENT NUMBER		DOC TYPE	DOC PART	REVISION
SD-44130-001		PSD	000	E17
MATERIAL NUMBER		CUSTOMER		SHEET NUMBER
		GENERAL MARKET		3 OF 5

MATERIAL NUMBER	HOUSING MAT'L/COLOR	NO OF CKT	HOUSING OPTION	PKG	FINISH SEE NOTE #2	PIN IDENTIFICATION CODE / CIRCUIT LOCATION (SEE CHART BELOW) V = VOID																							
						CKT 1	CKT 2	CKT 3	CKT 4	CKT 5	CKT 6	CKT 7	CKT 8	CKT 9	CKT 10	CKT 11	CKT 12	CKT 13	CKT 14	CKT 15	CKT 16	CKT 17	CKT 18	CKT 19	CKT 20	CKT 21	CKT 22	CKT 23	CKT 24
44130-0001	NYLON 94V-2/BLACK	06	PEG	TRAY	MS					2																			
44130-0002	NYLON 94V-2/BLACK	08	PEG	TRAY	MS	2																							
44130-0003	NYLON 94V-0/BLACK	08	PEG	TRAY	MS	2																							
44130-0004	NYLON 94V-0/BLACK	06	PEG	TRAY	MS					2																			
44130-0006	NYLON 94V-0/NATURAL	04	PEG	BULK	MS	2	3	2	2																				
44130-0007	NYLON 94V-0/NATURAL	06	PEG	BULK	MS	2			2	2	2																		
44130-0008	NYLON 94V-0/NATURAL	10	FLANGES	BULK	MS	4	4	4	4	4	4	4	4	4															
44130-0009	NYLON 94V-0/NATURAL	06	PEG	TRAY	MS	V			2	2	2																		
44130-0013	NYLON 94V-0/NATURAL	06	FLANGES	TRAY	MS	2	2	2		2	2																		
44130-0015	NYLON 94V-2/NATURAL	24	PEG	TRAY	MS	2	2																			2			
44130-0017	NYLON 94V-0/BLACK	08	PEG	TRAY	MS		2																						
44130-0024	NYLON 94V-0/NATURAL	08	PEG	BULK	GS	2	2	5	2	2	5	2	2																
44130-0026	NYLON 94V-2/NATURAL	04	PEG	BULK	MS	8	8	8	8																				
44130-0027	NYLON 94V-0/NATURAL	02	PEG	BULK	MS	5	5																						
44130-0028	NYLON 94V-0/NATURAL	04	PEG	BULK	MS	8	8	8	8																				
44130-0030	NYLON 94V-0/NATURAL	06	PEG	TRAY	GS	2	1	2	2	2	2																		
44130-0031	NYLON 94V-0/NATURAL	08	PEG	BULK	MS	9	9	9	9	9	9	9																	

PIN ID	MATING CONFIGURATION	DIM P REF (PCB TAIL LENGTH)	PIN ID	MATING CONFIGURATION	DIM P (PCB TAIL LENGTH)
2	STANDARD MATING	3.5 (.14)			
3	MAKE FIRST/BREAK LAST (LONGER PIN)	4.9 (.19)			
4	STANDARD MATING	6.0 (.24)			
5	MAKE FIRST/BREAK LAST (LONGER PIN)	4.2 (.17)			
6	STANDARD MATING	4.2 (.17)			
8	STANDARD MATING	5.3 (.21)			

SYMBOLS	THIS DRAWING CONTAINS INFORMATION THAT IS PROPRIETARY TO MOLEX ELECTRONIC TECHNOLOGIES, LLC AND SHOULD NOT BE USED WITHOUT WRITTEN PERMISSION					
	DIMENSION UNITS		SCALE		CURRENT REV DESC: ADDED 44130-0049 P/N	
▽ = 0	IN/MM		1:1		<b>molex</b> MINI-FIT JR RIGHT ANGLE HEADER ASSY CUSTOM HEADERS	
▽ = 0	GENERAL TOLERANCES (UNLESS SPECIFIED)					
▽ = 0			MM	INCH	EC NO: 645384 DRWN: EHAUGERUD 2020/09/15 CHK'D: DSTEIER 2020/09/18 APPR: FSMITH 2020/09/23	
▽ = 0	4 PLACES ±		±	INITIAL REVISION:		
▽ = 0	3 PLACES ±		±	DRWN: POLGAR 1998/01/23		
▽ = 0	2 PLACES ± 0.38		±	APPR: FSMITH 2011/05/18		
▽ = 0	1 PLACE ± 0.38		±	ANGULAR TOL ± 0.5°		
▽ = 0	0 PLACES ±		±	THIRD ANGLE PROJECTION		
▽ = 0	DRAFT WHERE APPLICABLE MUST REMAIN WITHIN DIMENSIONS		DRAWING		SERIES	
▽ = 0			C-SIZE		44130	

DOCUMENT STATUS			P1	RELEASE DATE	2020/09/23 23:07:16
DOCUMENT NUMBER			DOC TYPE	DOC PART	REVISION
SD-44130-001			PSD	000	E17
MATERIAL NUMBER		CUSTOMER		SHEET NUMBER	
SEE CHART		GENERAL MARKET		4 OF 5	



## X-ON Electronics

Largest Supplier of Electrical and Electronic Components

*Click to view similar products for [Headers & Wire Housings](#) category:*

*Click to view products by [Molex](#) manufacturer:*

Other Similar products are found below :

[892-18-020-10-001101](#) [58102-G61-06LF](#) [582553-1](#) [0009485154](#) [009176003701906](#) [0050291907](#) [LY20-4P-DT1-P1E-BR](#) [02.125.8002.8](#)  
[609-3404](#) [61062-3](#) [622-0430](#) [622-3653LF](#) [63453-116](#) [636-1030](#) [636-1427](#) [636-3427](#) [636-4007](#) [641938-9](#) [641991-4](#) [644827-2](#) [65817-010LF](#)  
[65817-015LF](#) [65863-015LF](#) [66207-023LF](#) [67095-007LF](#) [67601157](#) [68648-049](#) [70.362.1628.0](#) [70-4210](#) [70-4226B](#) [70-4853B](#) [707-5020](#) [707-5028](#) [71.350.2428.0](#) [71918-208LF](#) [71961-016LF](#) [733-134](#) [733-162](#) [754199-000](#) [760-3052](#) [787-8014-00](#) [79531-3000](#) [FCN-360C032-B](#) [FCN-367T-T012/H](#) [FCN-723D010/2](#) [80.063.4001.1](#) [800-90-001-10-001000](#) [800-90-010-10-002000](#) [801-43-002-10-013000](#) [801-43-006-10-002000](#)