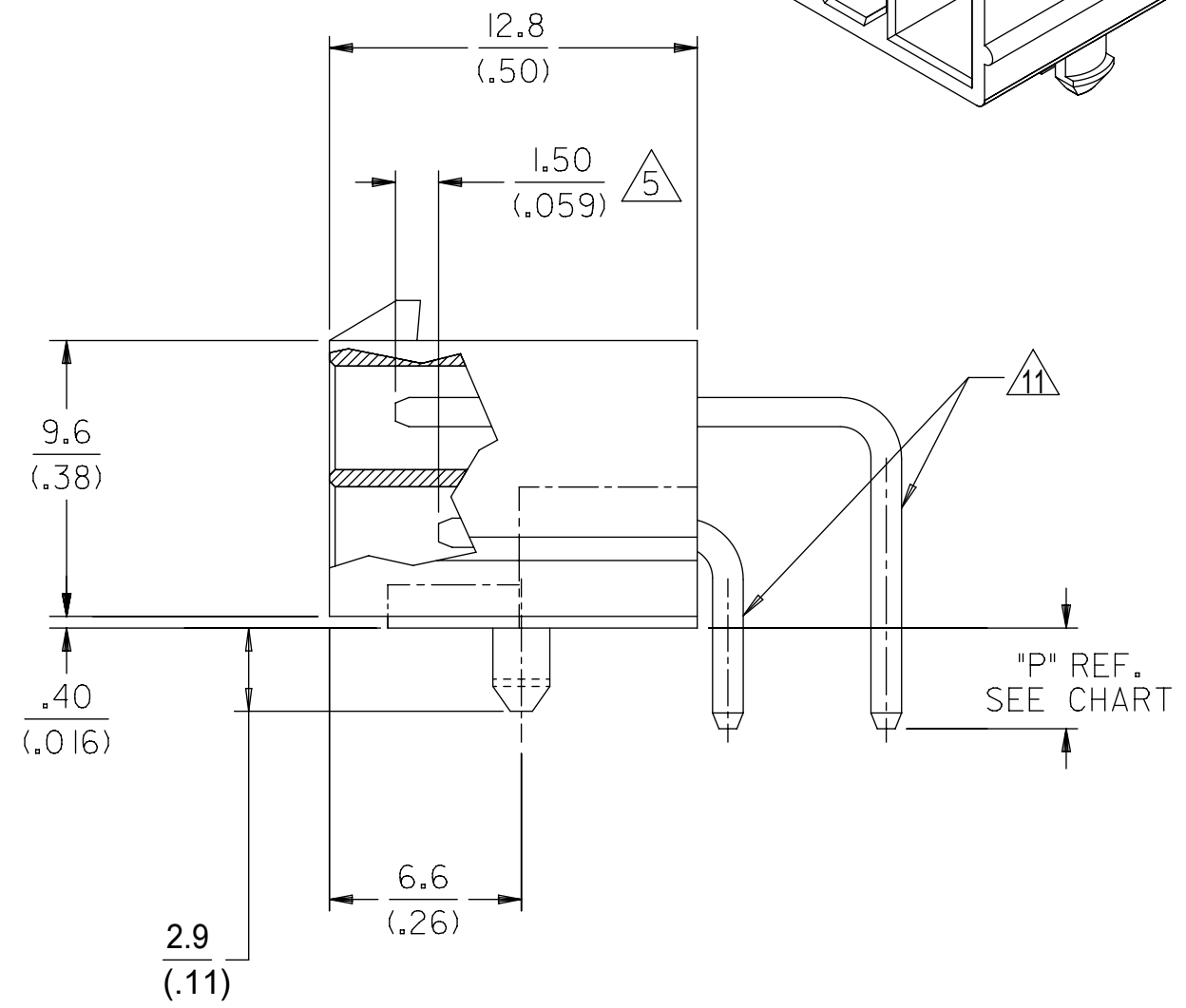
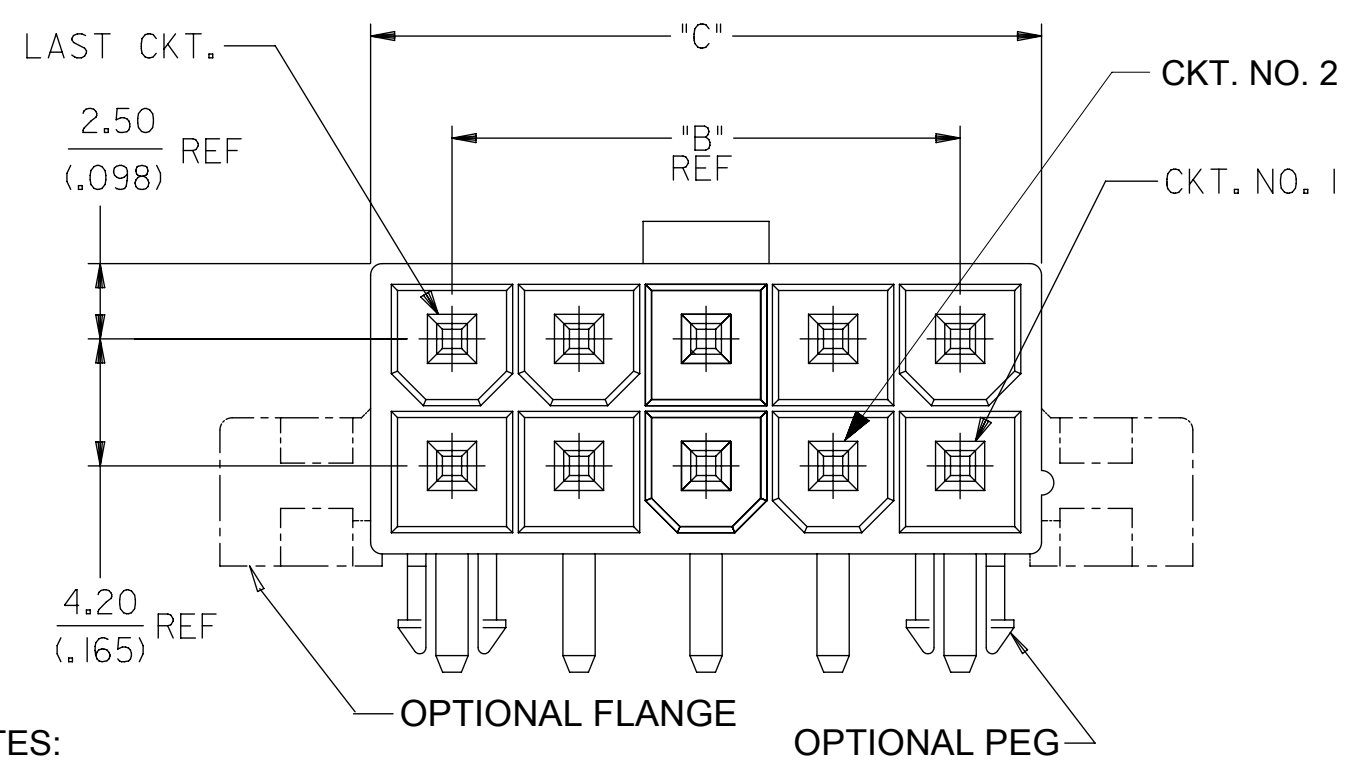
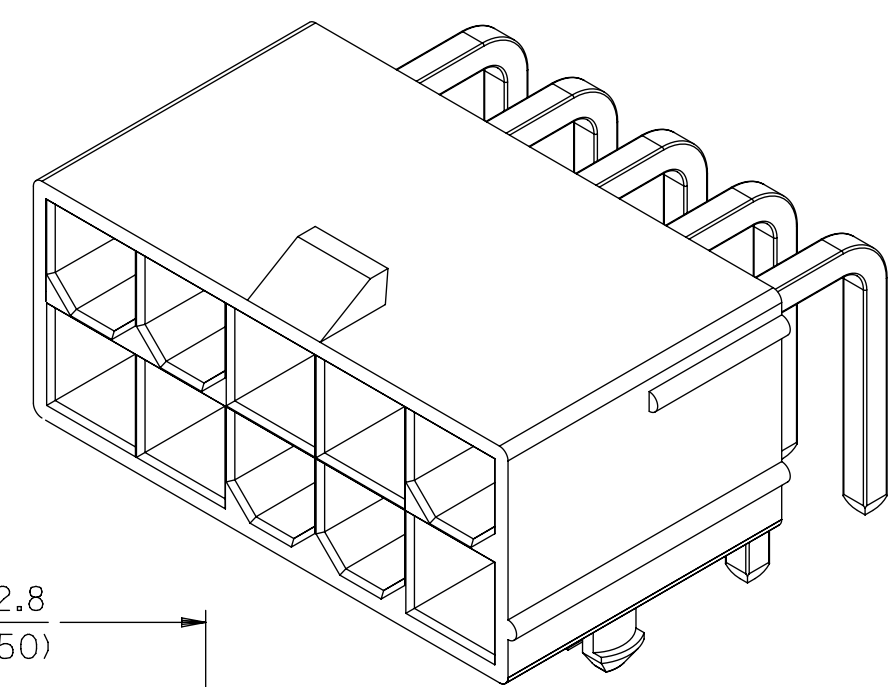
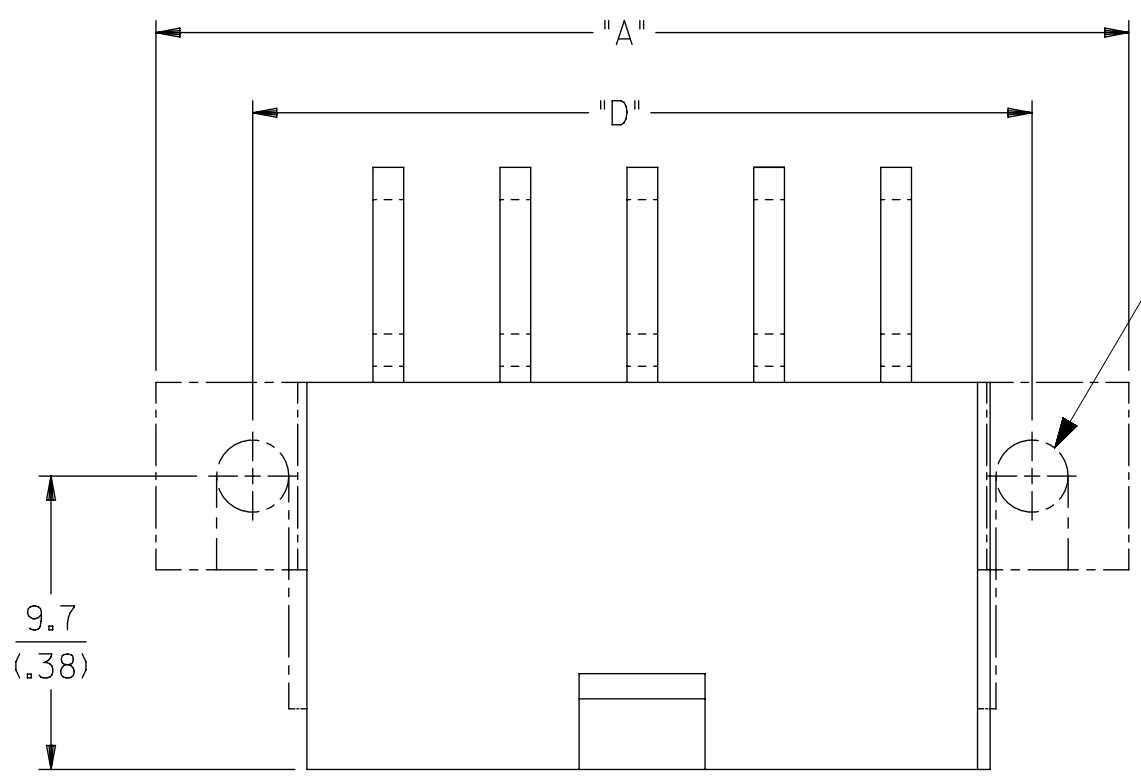
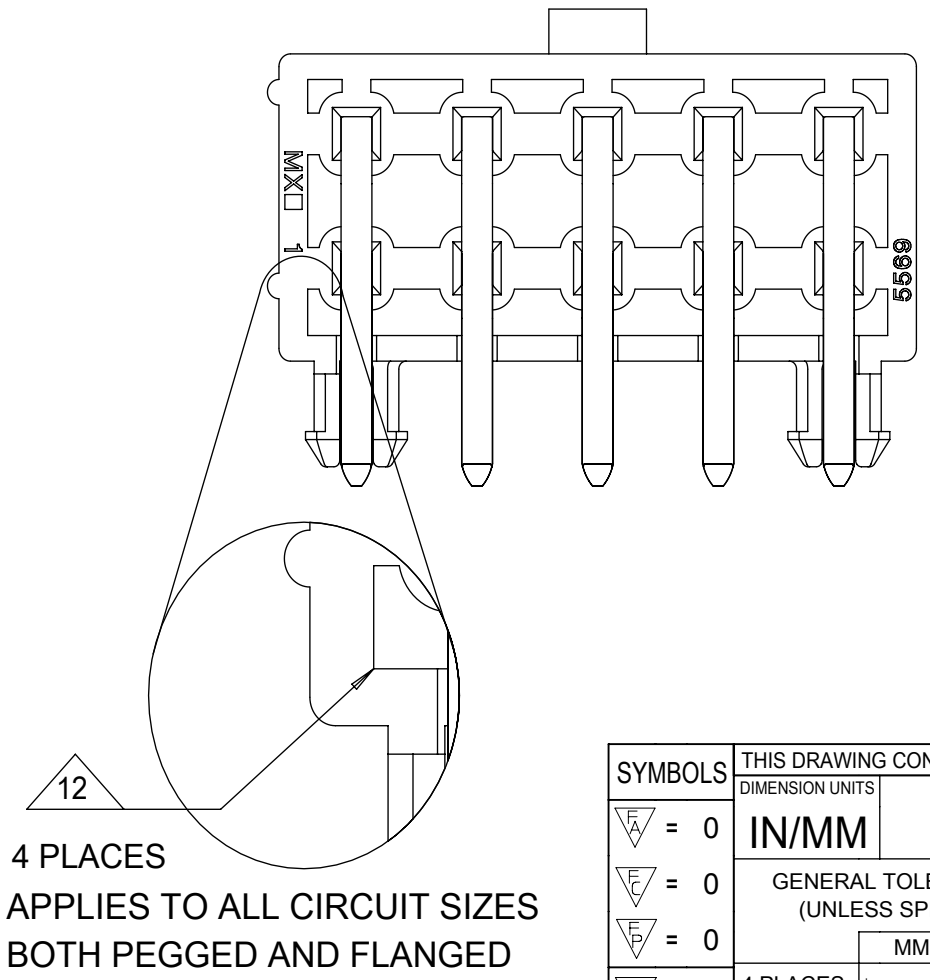


CIRCUIT SIZE	DIM. "A"	DIM. "B"	DIM. "C"	DIM. "D"
2	.606 (15.40)	N.A.	.213 (5.40)	.354 (9.00)
4	.772 (19.60)	.165 (4.20)	.378 (9.60)	.520 (13.20)
6	.937 (23.80)	.331 (8.40)	.543 (13.80)	.685 (17.40)
8	1.102 (28.00)	.496 (12.60)	.709 (18.00)	.850 (21.60)
10	1.268 (32.20)	.661 (16.80)	.874 (22.20)	1.016 (25.80)
12	1.433 (36.40)	.827 (21.00)	1.039 (26.40)	1.181 (30.00)
14	1.598 (40.60)	.992 (25.20)	1.205 (30.60)	1.346 (34.20)
16	1.764 (44.80)	1.157 (29.40)	1.370 (34.80)	1.512 (38.40)
18	1.929 (49.00)	1.323 (33.60)	1.535 (39.00)	1.677 (42.60)
20	2.094 (53.20)	1.488 (37.80)	1.701 (43.20)	1.843 (46.80)
22	2.260 (57.40)	1.654 (42.00)	1.866 (47.40)	2.008 (51.00)
24	2.425 (61.60)	1.819 (46.20)	2.031 (51.60)	2.173 (55.20)



- NOTES:
- MATERIALS:
HOUSING MATERIAL OPTIONS: SEE CHART FOR SPECIFIC PART
 NYLON, UNFILLED, UL94V-2, COLOR: NATURAL
 NYLON, UNFILLED, UL94V-2, COLOR: BLACK
 NYLON, UNFILLED, UL94V-0, COLOR: NATURAL
 NYLON, UNFILLED, UL94V-0, COLOR: BLACK
 LCP GLASS FILLED, UL94V-0, COLOR: BLACK
 IEC 60335-1, 5TH EDITION GLOW WIRE CAPABLE,
 WITH PRESS FIT PEG -SEE SHEET 3
 TERMINALS: BRASS
 - FINISH (PLATING) OPTIONS: SEE CHART FOR SPECIFIC PART
 "GS" = 0.00076/(.000030) MIN. SELECT GOLD AND
 0.00254/(.0000100) SELECT MATTE TIN OVER
 0.00127/(.000050) MIN. NICKEL
 "MS" = 0.00254/(.000100) MIN. MATTE TIN OVER
 0.00127/(.000050) MIN. NICKEL
 - PRODUCT SPECIFICATION: PS-5556-004 FOR LCP GLASS FILLED MATERIAL,
 PS-5556-001 FOR ALL OTHER MATERIALS.
 - PACKAGING: SEE CHART: BULK PER PK-5569-002
 TRAY PER PK-5569-003(PEGGED) OR PK-5569-004(FLANGES)
 - CIRCUITS SHOWN PROVIDE THE MAKE-FIRST/BREAK-LAST FEATURE.
 SEE CHARTS ON SHEETS 3 & 4 FOR SPECIFIC CIRCUIT LOCATIONS.
 - PART MATES WITH MINI-FIT JR. RECEPTACLE #5557.
 - CONNECTORS ARE NOT TO BE MATED OR UNMATED WHILE CIRCUITS ARE LIVE.
 - PARTS ARE NOT DESIGNED FOR CURRENT SHARING.
 - DISCOLORATION IN THE BANDOLIER CARRIER AREA OF THE PIN IS INHERENT TO
 THE PLATING PROCESS AND IS DUE TO THE MASKING EFFECT OF THE CARRIER.
 THIS DISCOLORATION, IF PRESENT, IS IN A NON-FUNCTIONAL AREA OF THE PIN
 AND WILL NOT EFFECT THE PERFORMANCE OF THE HEADER ASSEMBLY.
 - PART CONFORMS TO CLASS "B" REQUIREMENTS OF COSMETIC SPECIFICATION
 PS-45499-002.
 - FORMING MARKS ARE ACCEPTABLE.
 - CORNER CORE-OUTS ARE OPTIONAL AND MAY OR MAY NOT BE PRESENT.
 - TEXT ON PART IS FOR REFERENCE ONLY. TEXT AND TEXT LOCATION MAY VARY
 DEPENDING ON PART NUMBER AND/OR TOOL.



THIS DRAWING CONTAINS INFORMATION THAT IS PROPRIETARY TO MOLEX ELECTRONIC TECHNOLOGIES, LLC AND SHOULD NOT BE USED WITHOUT WRITTEN PERMISSION

SYMBOLS	DIMENSION UNITS	SCALE	CURRENT REV DESC: ADDED 44130-0049 P/N		
	IN/MM	4:1			
▽ = 0	GENERAL TOLERANCES (UNLESS SPECIFIED)		EC NO: 645384		
		MM	INCH	DRWN: EHAUGERUD 2020/09/15	
▽ = 0	4 PLACES	±	±	CHK'D: DSTEIER 2020/09/18	
▽ = 0	3 PLACES	±	±	APPR: FSMITH 2020/09/23	
▽ = 0	2 PLACES	±	0.38	INITIAL REVISION:	
▽ = 0	1 PLACE	±	0.38	DRWN: POLGAR 1998/01/23	
▽ = 0	0 PLACES	±	±	APPR: FSMITH 2011/05/18	
▽ = 0	ANGULAR TOL ± 0.5°		THIRD ANGLE PROJECTION		
▽ = 0	DRAFT WHERE APPLICABLE MUST REMAIN WITHIN DIMENSIONS		DRAWING	SERIES	MATERIAL NUMBER
▽ = 0			C-SIZE	44130	SEE CHART

PRODUCT CUSTOMER DRAWING

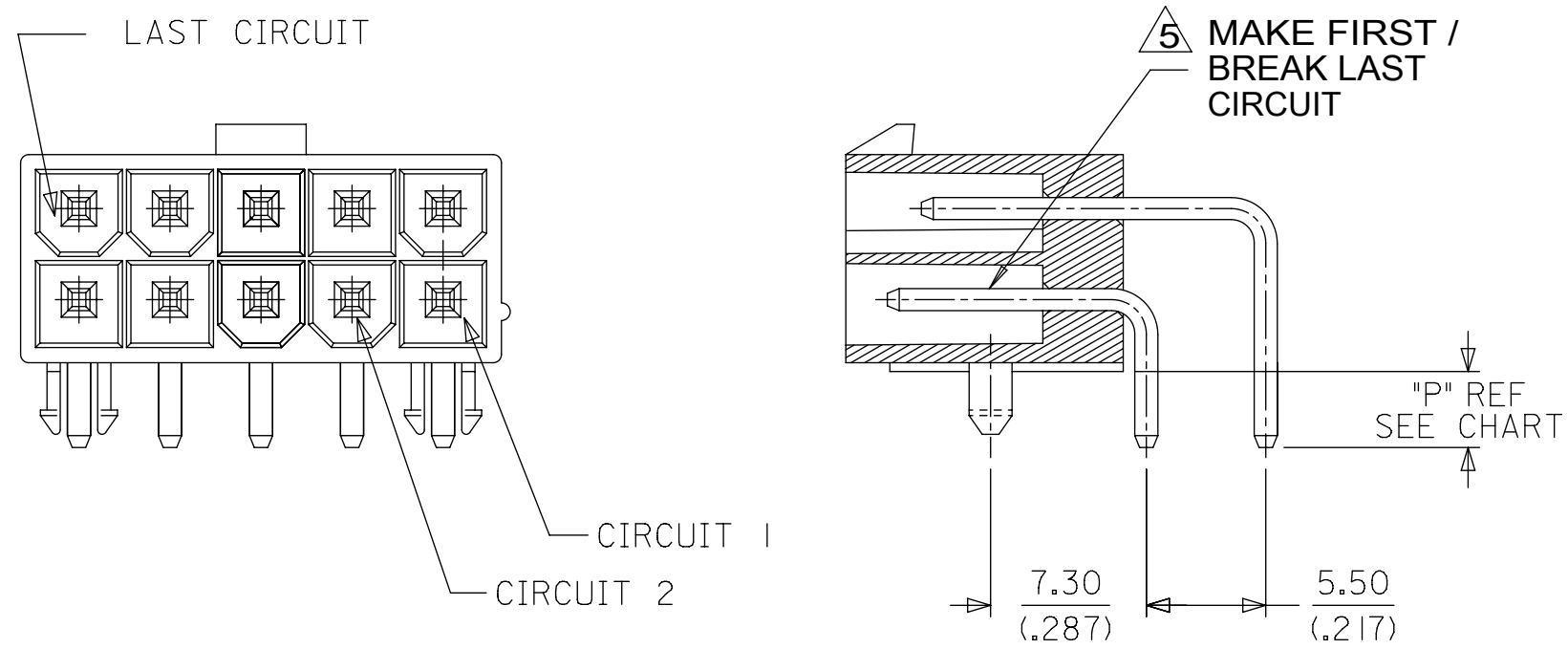
molex

MINI-FIT JR
RIGHT ANGLE HEADER ASSY CUSTOM HEADERS

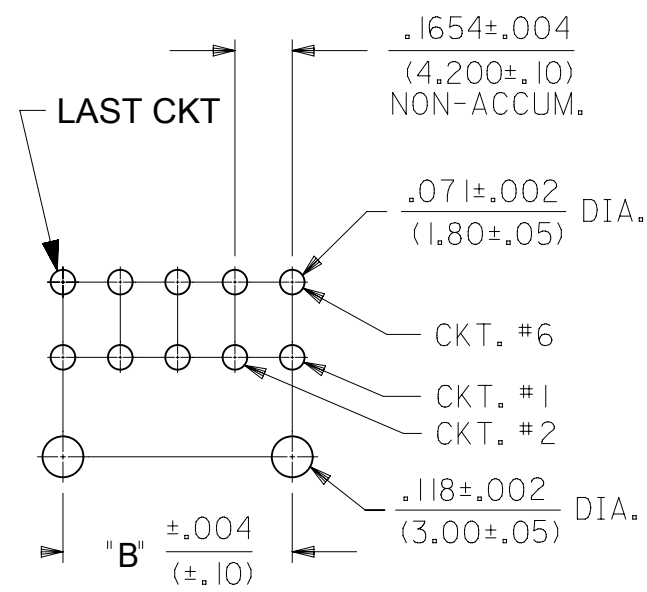
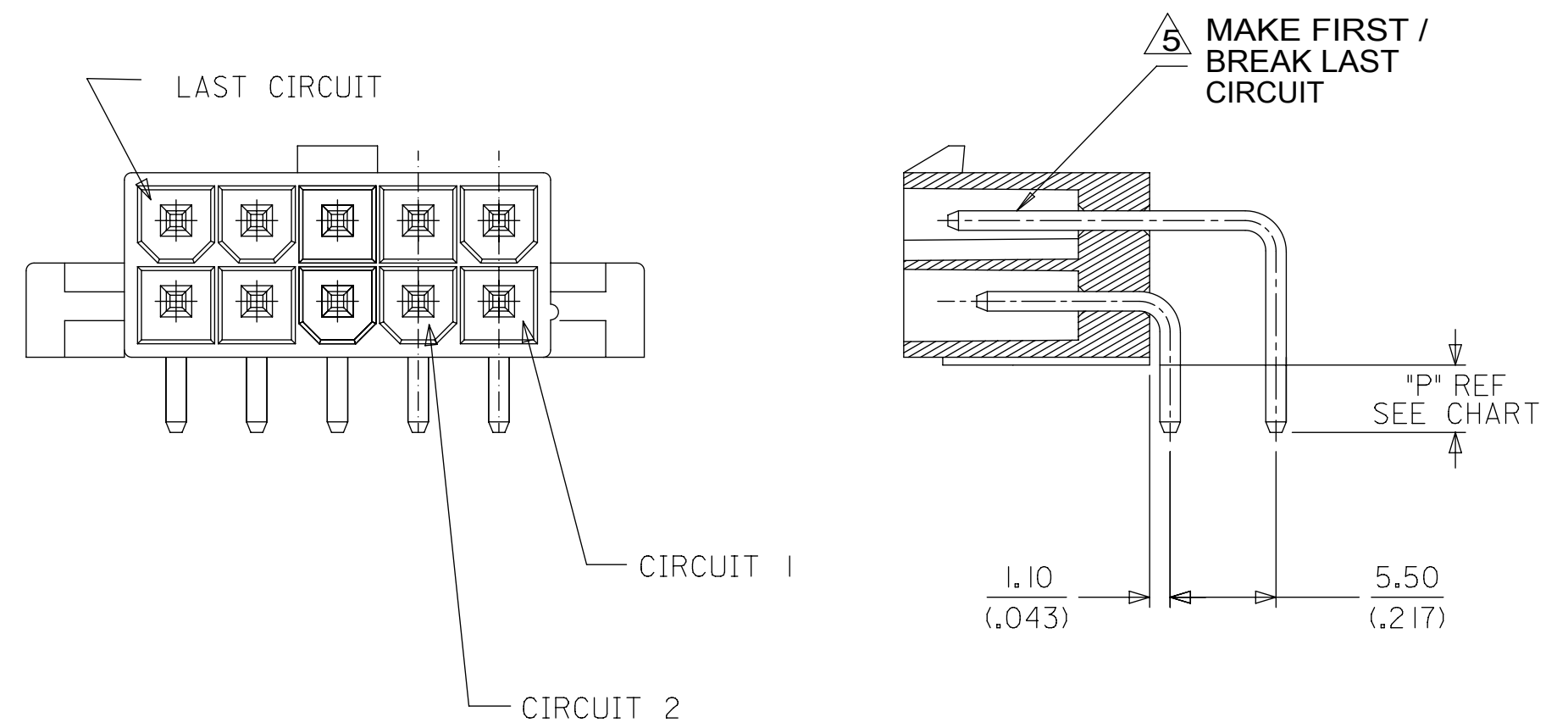
DOCUMENT NUMBER: SD-44130-001
DOC TYPE: PSD
DOC PART: 000
REVISION: E17

CUSTOMER: GENERAL MARKET
SHEET NUMBER: 1 OF 5

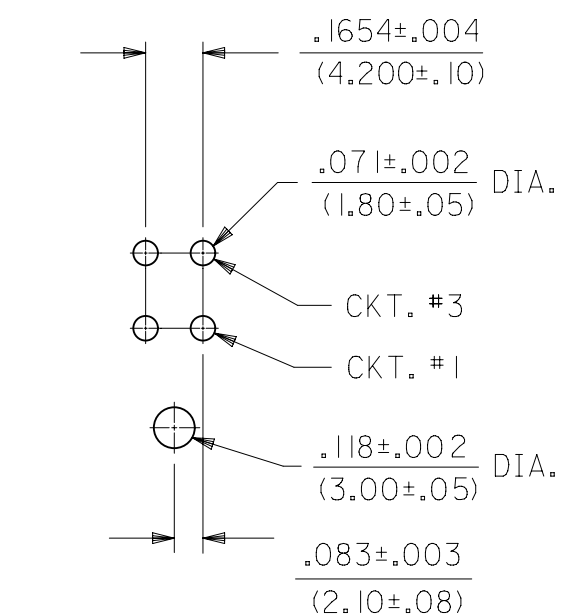
HOUSING WITH PEGS



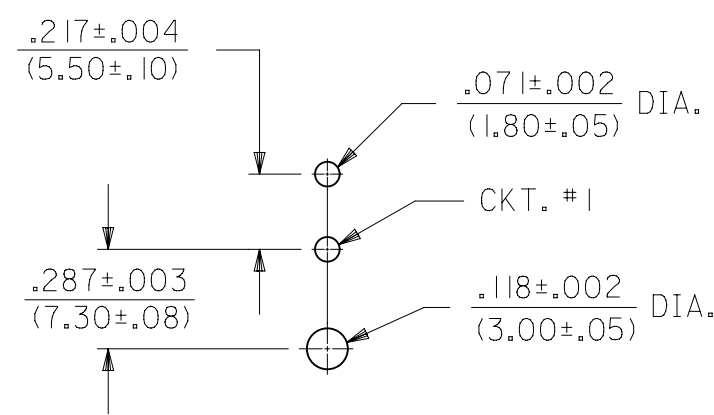
HOUSING WITH FLANGE



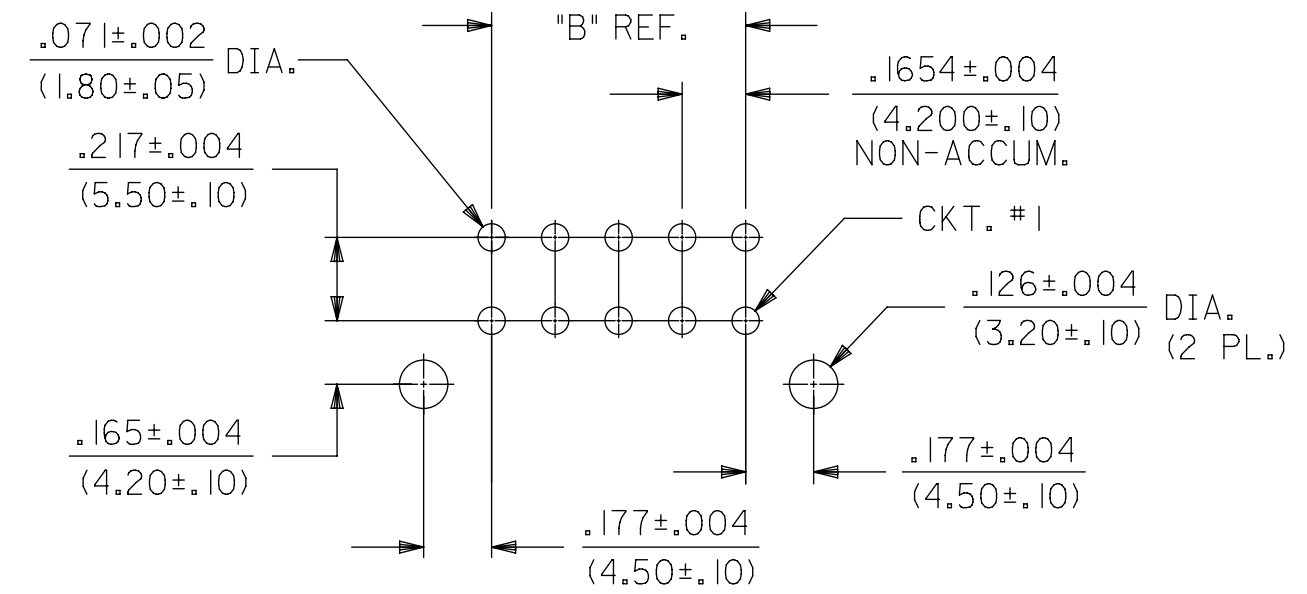
RECOMMENDED HOLE LAYOUT FOR .070/(1.78) MAX. THICK P.C. BOARD VIEWED FROM COMPONENT SIDE FOR 6 THRU 24 CIRCUITS



RECOMMENDED HOLE LAYOUT FOR .070/(1.78) MAX. THICK P.C. BOARD VIEWED FROM COMPONENT SIDE FOR 4 CIRCUIT PARTS



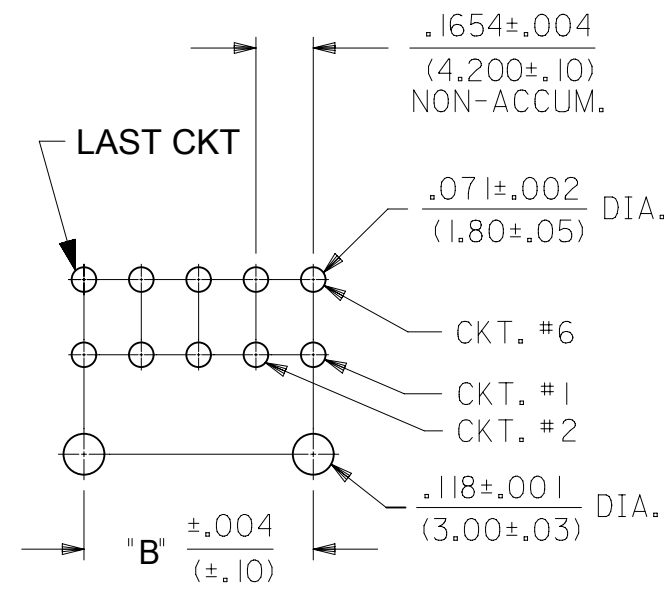
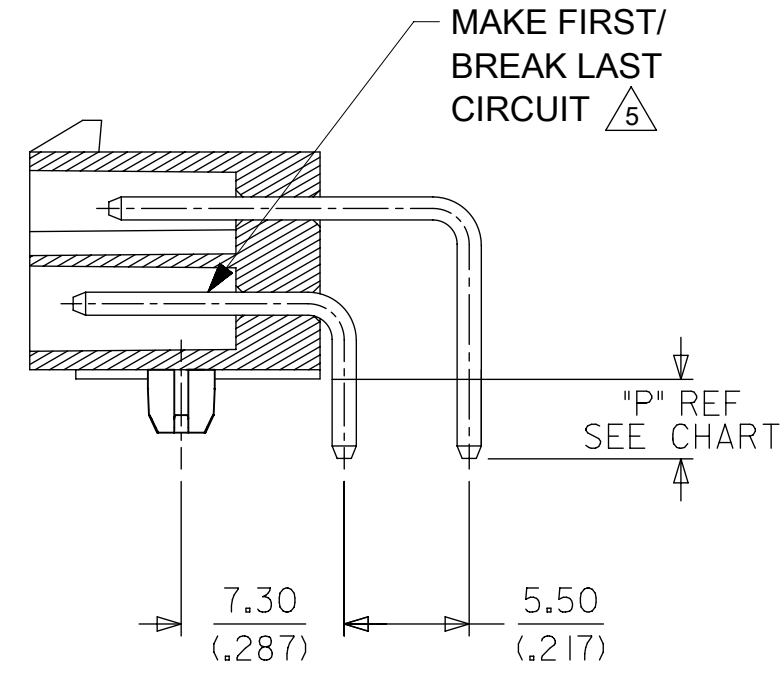
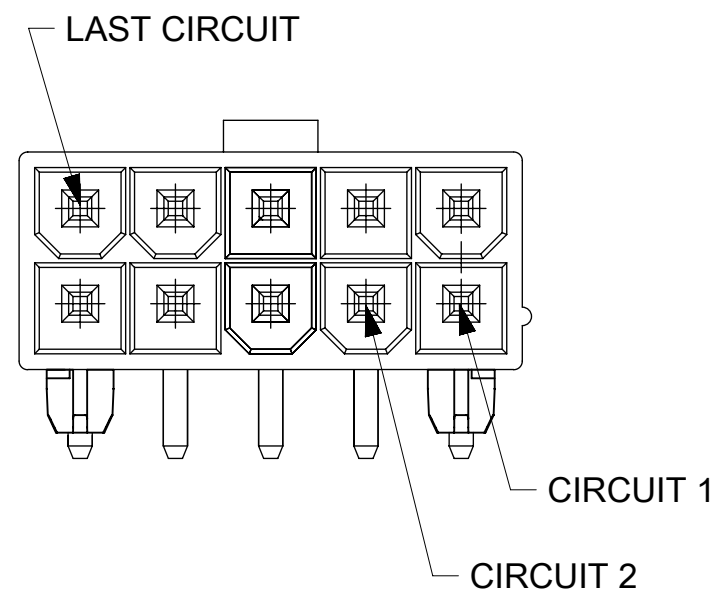
RECOMMENDED HOLE LAYOUT FOR .070/(1.78) MAX. THICK P.C. BOARD VIEWED FROM COMPONENT SIDE FOR 2 CIRCUIT PARTS



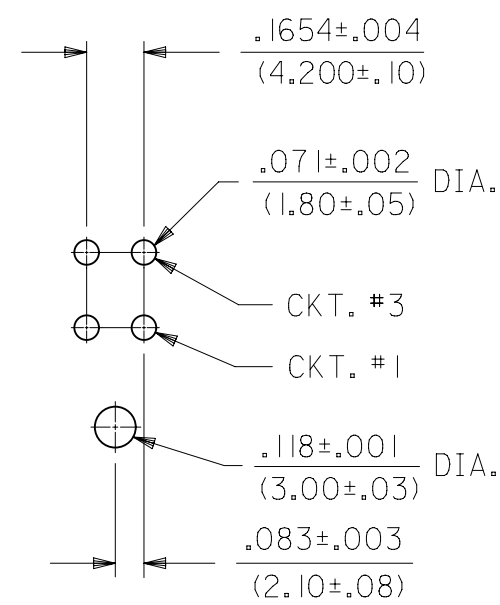
RECOMMENDED HOLE LAYOUT FOR .070/(1.78) MAX. THICK P.C. BOARD. (FLANGE MOUNT)

THIS DRAWING CONTAINS INFORMATION THAT IS PROPRIETARY TO MOLEX ELECTRONIC TECHNOLOGIES, LLC AND SHOULD NOT BE USED WITHOUT WRITTEN PERMISSION										
SYMBOLS		DIMENSION UNITS		SCALE		CURRENT REV DESC: ADDED 44130-0049 P/N				
▽ = 0	▽ = 0	IN/MM		4:1		molex MINI-FIT JR RIGHT ANGLE HEADER ASSY CUSTOM HEADERS PRODUCT CUSTOMER DRAWING				
▽ = 0	▽ = 0	GENERAL TOLERANCES (UNLESS SPECIFIED)								
▽ = 0	▽ = 0		MM	INCH						
▽ = 0	▽ = 0	4 PLACES	±	±						
▽ = 0	▽ = 0	3 PLACES	±	±		EC NO: 645384	DRWN: EHAUGERUD	2020/09/15		
▽ = 0	▽ = 0	2 PLACES	±	0.38	±	CHK'D: DSTEIER	2020/09/18			
▽ = 0	▽ = 0	1 PLACE	±	0.38	±	APPR: FSMITH	2020/09/23			
▽ = 0	▽ = 0	0 PLACES	±	±		INITIAL REVISION:				
▽ = 0	▽ = 0	ANGULAR TOL ± 0.5 °				DRWN: POLGAR	1998/01/23			
▽ = 0	▽ = 0	DRAFT WHERE APPLICABLE MUST REMAIN WITHIN DIMENSIONS				APPR: FSMITH	2011/05/18			
		THIRD ANGLE PROJECTION		DRAWING		SERIES		MATERIAL NUMBER		
		C-SIZE		44130		SD-44130-001		CUSTOMER		
		SEE CHART		GENERAL MARKET		DOC TYPE		DOC PART		
		2 OF 5				PSD		000		
						E17		REVISION		
								SHEET NUMBER		
								2 OF 5		

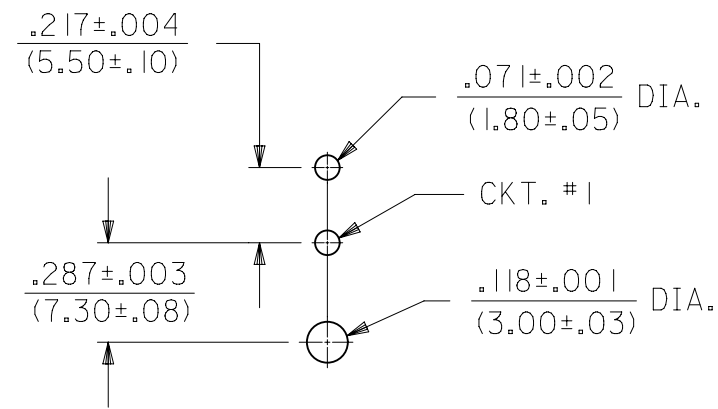
HOUSING WITH PRESS FIT PEGS



RECOMMENDED HOLE LAYOUT FOR .070/(1.78) MAX. THICK P.C. BOARD VIEWED FROM COMPONENT SIDE FOR 6 THRU 24 CIRCUITS



RECOMMENDED HOLE LAYOUT FOR .070/(1.78) MAX. THICK P.C. BOARD VIEWED FROM COMPONENT SIDE FOR 4 CIRCUIT PARTS



RECOMMENDED HOLE LAYOUT FOR .070/(1.78) MAX. THICK P.C. BOARD VIEWED FROM COMPONENT SIDE FOR 2 CIRCUIT PARTS

SYMBOLS	THIS DRAWING CONTAINS INFORMATION THAT IS PROPRIETARY TO MOLEX ELECTRONIC TECHNOLOGIES, LLC AND SHOULD NOT BE USED WITHOUT WRITTEN PERMISSION			
	DIMENSION UNITS	SCALE		CURRENT REV DESC: ADDED 44130-0049 P/N
∇ = 0	IN/MM	4:1		molex MINI-FIT JR RIGHT ANGLE HEADER ASSY CUSTOM HEADERS
∇ = 0	GENERAL TOLERANCES (UNLESS SPECIFIED)			
∇ = 0		MM	INCH	EC NO: 645384 DRWN: EHAUGERUD 2020/09/15 CHK'D: DSTEIER 2020/09/18 APPR: FSMITH 2020/09/23
S = 0	4 PLACES	±	±	INITIAL REVISION: DRWN: DRWN BY XXXX/XX/XX APPR: APPR BY XXXX/XX/XX
∇ = 0	3 PLACES	±	±	
∇ = 0	2 PLACES	± 0.38	±	PRODUCT CUSTOMER DRAWING DOCUMENT NUMBER: SD-44130-001 DOC TYPE: PSD DOC PART: 000 REVISION: E17
∇ = 0	1 PLACE	± 0.38	±	MATERIAL NUMBER: GENERAL MARKET CUSTOMER: GENERAL MARKET SHEET NUMBER: 3 OF 5
∇ = 0	0 PLACES	±	±	
∇ = 0	ANGULAR TOL	± 0.5°		THIRD ANGLE PROJECTION DRAWING: C-SIZE SERIES: 44130
∇ = 0	DRAFT WHERE APPLICABLE MUST REMAIN WITHIN DIMENSIONS			

MATERIAL NUMBER	HOUSING MAT'L/COLOR	NO OF CKT	HOUSING OPTION	PKG	FINISH SEE NOTE #2	PIN IDENTIFICATION CODE / CIRCUIT LOCATION (SEE CHART BELOW) V = VOID																							
						CKT 1	CKT 2	CKT 3	CKT 4	CKT 5	CKT 6	CKT 7	CKT 8	CKT 9	CKT 10	CKT 11	CKT 12	CKT 13	CKT 14	CKT 15	CKT 16	CKT 17	CKT 18	CKT 19	CKT 20	CKT 21	CKT 22	CKT 23	CKT 24
44130-0001	NYLON 94V-2/BLACK	06	PEG	TRAY	MS					2																			
44130-0002	NYLON 94V-2/BLACK	08	PEG	TRAY	MS	2																							
44130-0003	NYLON 94V-0/BLACK	08	PEG	TRAY	MS	2																							
44130-0004	NYLON 94V-0/BLACK	06	PEG	TRAY	MS					2																			
44130-0006	NYLON 94V-0/NATURAL	04	PEG	BULK	MS	2	3	2	2																				
44130-0007	NYLON 94V-0/NATURAL	06	PEG	BULK	MS	2			2	2	2																		
44130-0008	NYLON 94V-0/NATURAL	10	FLANGES	BULK	MS	4	4	4	4	4	4	4	4	4	4														
44130-0009	NYLON 94V-0/NATURAL	06	PEG	TRAY	MS	V			2	2	2																		
44130-0013	NYLON 94V-0/NATURAL	06	FLANGES	TRAY	MS	2	2	2		2	2																		
44130-0015	NYLON 94V-2/NATURAL	24	PEG	TRAY	MS	2	2																			2			
44130-0017	NYLON 94V-0/BLACK	08	PEG	TRAY	MS		2																						
44130-0024	NYLON 94V-0/NATURAL	08	PEG	BULK	GS	2	2	5	2	2	5	2	2																
44130-0026	NYLON 94V-2/NATURAL	04	PEG	BULK	MS	8	8	8	8																				
44130-0027	NYLON 94V-0/NATURAL	02	PEG	BULK	MS	5	5																						
44130-0028	NYLON 94V-0/NATURAL	04	PEG	BULK	MS	8	8	8	8																				
44130-0030	NYLON 94V-0/NATURAL	06	PEG	TRAY	GS	2	1	2	2	2	2																		
44130-0031	NYLON 94V-0/NATURAL	08	PEG	BULK	MS	9	9	9	9	9	9	9																	


PIN ID	MATING CONFIGURATION	DIM P REF (PCB TAIL LENGTH)	PIN ID	MATING CONFIGURATION	DIM P (PCB TAIL LENGTH)
2	STANDARD MATING	3.5 (.14)			
3	MAKE FIRST/BREAK LAST (LONGER PIN)	4.9 (.19)			
4	STANDARD MATING	6.0 (.24)			
5	MAKE FIRST/BREAK LAST (LONGER PIN)	4.2 (.17)			
6	STANDARD MATING	4.2 (.17)			
8	STANDARD MATING	5.3 (.21)			

SYMBOLS	THIS DRAWING CONTAINS INFORMATION THAT IS PROPRIETARY TO MOLEX ELECTRONIC TECHNOLOGIES, LLC AND SHOULD NOT BE USED WITHOUT WRITTEN PERMISSION									
	DIMENSION UNITS		SCALE		CURRENT REV DESC: ADDED 44130-0049 P/N					
▽ = 0	IN/MM		1:1		molex MINI-FIT JR RIGHT ANGLE HEADER ASSY CUSTOM HEADERS PRODUCT CUSTOMER DRAWING					
▽ = 0	GENERAL TOLERANCES (UNLESS SPECIFIED)									
▽ = 0			MM	INCH	EC NO: 645384 DRWN: EHAUGERUD 2020/09/15 CHK'D: DSTEIER 2020/09/18 APPR: FSMITH 2020/09/23					
▽ = 0	4 PLACES ±		±		INITIAL REVISION:					
▽ = 0	3 PLACES ±		±		DRWN: POLGAR 1998/01/23 APPR: FSMITH 2011/05/18					
▽ = 0	2 PLACES ±		0.38 ±		DOCUMENT NUMBER: SD-44130-001 DOC TYPE: PSD DOC PART: 000 REVISION: E17					
▽ = 0	1 PLACE ±		0.38 ±		MATERIAL NUMBER: SEE CHART CUSTOMER: GENERAL MARKET SHEET NUMBER: 4 OF 5					
▽ = 0	0 PLACES ±		±		DRAFT WHERE APPLICABLE MUST REMAIN WITHIN DIMENSIONS THIRD ANGLE PROJECTION DRAWING: C-SIZE SERIES: 44130					
▽ = 0	ANGULAR TOL ±		0.5 °							

MATERIAL NUMBER	HOUSING MAT'L/COLOR	NO OF CKT	HOUSING OPTION	PKG	FINISH SEE NOTE #2	PIN IDENTIFICATION CODE / CIRCUIT LOCATION (SEE CHART BELOW)																							
						CKT 1	CKT 2	CKT 3	CKT 4	CKT 5	CKT 6	CKT 7	CKT 8	CKT 9	CKT 10	CKT 11	CKT 12	CKT 13	CKT 14	CKT 15	CKT 16	CKT 17	CKT 18	CKT 19	CKT 20	CKT 21	CKT 22	CKT 23	CKT 24
44130-0032	NYLON 94V-0/NATURAL	16	PEG	TRAY	MS	8	8	8	8	8	8	8	8	8	8	8	8	8	8	8									
44130-0036	NYLON 94V-2/NATURAL	06	PEG	TRAY	MS	2	1	2	2	1	2																		
44130-0037	NYLON 94V-0/NATURAL	06	PEG	TRAY	MS	2	V	2	2	V	2																		
44130-0038	NYLON 94V-0/NATURAL	10	PEG	TRAY	MS	2	V	2	V	2	2	V	2	V	2														
44130-0039	NYLON 94V-0/NATURAL	04	PEG	TRAY	MS	1	2	2	2																				
44130-0040	NYLON 94V-0/NATURAL	04	PEG	TRAY	MS	2	1	2	2																				
44130-0041	NYLON 94V-0/NATURAL	06	PEG	TRAY	GS	2	V	1	2	V	2																		
44130-0043	NYLON 94V-0/NATURAL	24	FLANGES	TRAY	MS	V	2	V	2	V	2	V	2	V	2	V	2	V	2	V	2	V	2	V	2	V			
44130-0044 (N)	LCP 94V-0/BLACK	24	PRESSFIT PEGS	TRAY	MS	V	2	V	2	V	2	V	2	V	2	V	2	V	2	V	2	V	2	V	2	V			
44130-0045	NYLON 94V-0/NATURAL	24	PEG	TRAY	MS	V	2	V	2	V	2	V	2	V	2	V	2	V	2	V	2	V	2	V	2	V			
44130-0046	NYLON 94V-0/NATURAL	24	PEG	TRAY	GS	V	2	V	2	V	2	V	2	V	2	V	2	V	2	V	2	V	2	V	2	V			
44130-0047	NYLON 94V-0/NATURAL	10	PEG	TRAY	GS	2	V	2	V	2	V	2	V	2	V														
44130-0048	LCP 94V-0/BLACK	08	PRESSFIT PEGS	TRAY	MS	5	5	5	5	5	5	5	5																
44130-0049	LCP 94V-0/BLACK	06	PRESSFIT PEGS	TRAY	GS	1	1	1	1	2	1																		

N= NOT TOOLED	PIN ID	MATING CONFIGURATION	DIM PREF (PCB TAIL LENGTH)
	1	MAKE FIRST/BREAK LAST (LONGER PIN)	3.5 (.14)
	2	STANDARD MATING	3.5 (.14)
	3	MAKE FIRST/BREAK LAST (LONGER PIN)	4.9 (.19)
	4	STANDARD MATING	6.0 (.24)
	5	MAKE FIRST/BREAK LAST (LONGER PIN)	4.2 (.17)
	6	STANDARD MATING	4.2 (.17)
	8	STANDARD MATING	5.3 (.21)

SYMBOLS	THIS DRAWING CONTAINS INFORMATION THAT IS PROPRIETARY TO MOLEX ELECTRONIC TECHNOLOGIES, LLC AND SHOULD NOT BE USED WITHOUT WRITTEN PERMISSION		
	DIMENSION UNITS	SCALE	CURRENT REV / DESC: ADDED 44130-0049 P/N
▽ = 0	IN/MM	1:1	EC NO: 645384 DRWN: EHAUGERUD 2020/09/15 CHK'D: DSTEIER 2020/09/18 APPR: FSMITH 2020/09/23
▽ = 0	GENERAL TOLERANCES (UNLESS SPECIFIED)		
▽ = 0		MM	INITIAL REVISION: DRWN: POLGAR 1998/01/23 APPR: FSMITH 2011/05/18
▽ = 0		INCH	
▽ = 0	4 PLACES ±	±	DOCUMENT NUMBER: SD-44130-001 DOC TYPE: PSD DOC PART: 000 REVISION: E17
▽ = 0	3 PLACES ±	±	
▽ = 0	2 PLACES ±	0.38 ±	MATERIAL NUMBER: SEE CHART CUSTOMER: GENERAL MARKET SHEET NUMBER: 5 OF 5
▽ = 0	1 PLACE ±	0.38 ±	
▽ = 0	0 PLACES ±	±	
▽ = 0	ANGULAR TOL ±	0.5 °	
▽ = 0	DRAFT WHERE APPLICABLE MUST REMAIN WITHIN DIMENSIONS	THIRD ANGLE PROJECTION	DRAWING: C-SIZE SERIES: 44130



MINI-FIT JR
RIGHT ANGLE HEADER ASSY CUSTOM HEADERS

PRODUCT CUSTOMER DRAWING

X-ON Electronics

Largest Supplier of Electrical and Electronic Components

Click to view similar products for [Headers & Wire Housings](#) category:

Click to view products by [Molex](#) manufacturer:

Other Similar products are found below :

[892-18-020-10-001101](#) [58102-G61-06LF](#) [582553-1](#) [0009485154](#) [009176003701906](#) [0050291907](#) [LY20-4P-DT1-P1E-BR](#) [02.125.8002.8](#)
[609-3404](#) [61062-3](#) [622-0430](#) [622-3653LF](#) [63453-116](#) [636-1030](#) [636-1427](#) [636-3427](#) [636-4007](#) [641938-9](#) [641991-4](#) [644827-2](#) [65817-010LF](#)
[65817-015LF](#) [65863-015LF](#) [66207-023LF](#) [67095-007LF](#) [67601157](#) [68648-049](#) [70.362.1628.0](#) [70-4210](#) [70-4226B](#) [70-4853B](#) [707-5020](#) [707-5028](#) [71.350.2428.0](#) [71918-208LF](#) [71961-016LF](#) [733-134](#) [733-162](#) [754199-000](#) [760-3052](#) [787-8014-00](#) [79531-3000](#) [FCN-360C032-B](#) [FCN-367T-T012/H](#) [FCN-723D010/2](#) [80.063.4001.1](#) [800-90-001-10-001000](#) [800-90-010-10-002000](#) [801-43-002-10-013000](#) [801-43-006-10-002000](#)