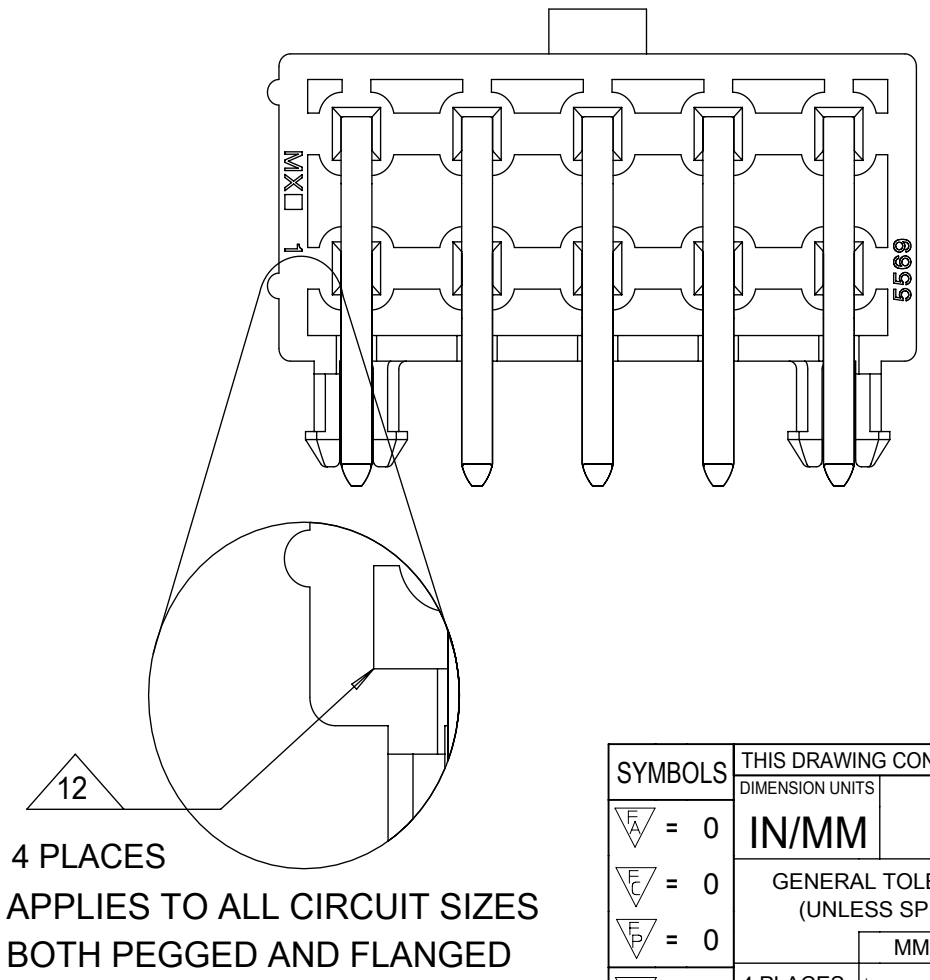


- NOTES:**
- MATERIALS:**
HOUSING MATERIAL OPTIONS: SEE CHART FOR SPECIFIC PART
 NYLON, UNFILLED, UL94V-2, COLOR: NATURAL
 NYLON, UNFILLED, UL94V-2, COLOR: BLACK
 NYLON, UNFILLED, UL94V-0, COLOR: NATURAL
 NYLON, UNFILLED, UL94V-0, COLOR: BLACK
 LCP GLASS FILLED, UL94V-0, COLOR: BLACK
 IEC 60335-1, 5TH EDITION GLOW WIRE CAPABLE,
 WITH PRESS FIT PEG -SEE SHEET 3
 TERMINALS: BRASS
 - FINISH (PLATING) OPTIONS:** SEE CHART FOR SPECIFIC PART
 "GS" = 0.00076/(.000030) MIN. SELECT GOLD AND
 0.00254/(.0000100) SELECT MATTE TIN OVER
 0.00127/(.000050) MIN. NICKEL
 "MS" = 0.00254/(.000100) MIN. MATTE TIN OVER
 0.00127/(.000050) MIN. NICKEL
 - PRODUCT SPECIFICATION:** PS-5556-004 FOR LCP GLASS FILLED MATERIAL,
 PS-5556-001 FOR ALL OTHER MATERIALS.
 - PACKAGING:** SEE CHART: BULK PER PK-5569-002
 TRAY PER PK-5569-003(PEGGED) OR PK-5569-004(FLANGES)
 - CIRCUITS SHOWN PROVIDE THE MAKE-FIRST/BREAK-LAST FEATURE.**
 SEE CHARTS ON SHEETS 3 & 4 FOR SPECIFIC CIRCUIT LOCATIONS.
 - PART MATES WITH MINI-FIT JR. RECEPTACLE #5557.**
 - CONNECTORS ARE NOT TO BE MATED OR UNMATED WHILE CIRCUITS ARE LIVE.**
 - PARTS ARE NOT DESIGNED FOR CURRENT SHARING.**
 - DISCOLORATION IN THE BANDOLIER CARRIER AREA OF THE PIN IS INHERENT TO THE PLATING PROCESS AND IS DUE TO THE MASKING EFFECT OF THE CARRIER. THIS DISCOLORATION, IF PRESENT, IS IN A NON-FUNCTIONAL AREA OF THE PIN AND WILL NOT EFFECT THE PERFORMANCE OF THE HEADER ASSEMBLY.**
 - PART CONFORMS TO CLASS "B" REQUIREMENTS OF COSMETIC SPECIFICATION PS-45499-002.**
 - FORMING MARKS ARE ACCEPTABLE.**
 - CORNER CORE-OUTS ARE OPTIONAL AND MAY OR MAY NOT BE PRESENT.**
 - TEXT ON PART IS FOR REFERENCE ONLY. TEXT AND TEXT LOCATION MAY VARY DEPENDING ON PART NUMBER AND/OR TOOL.**

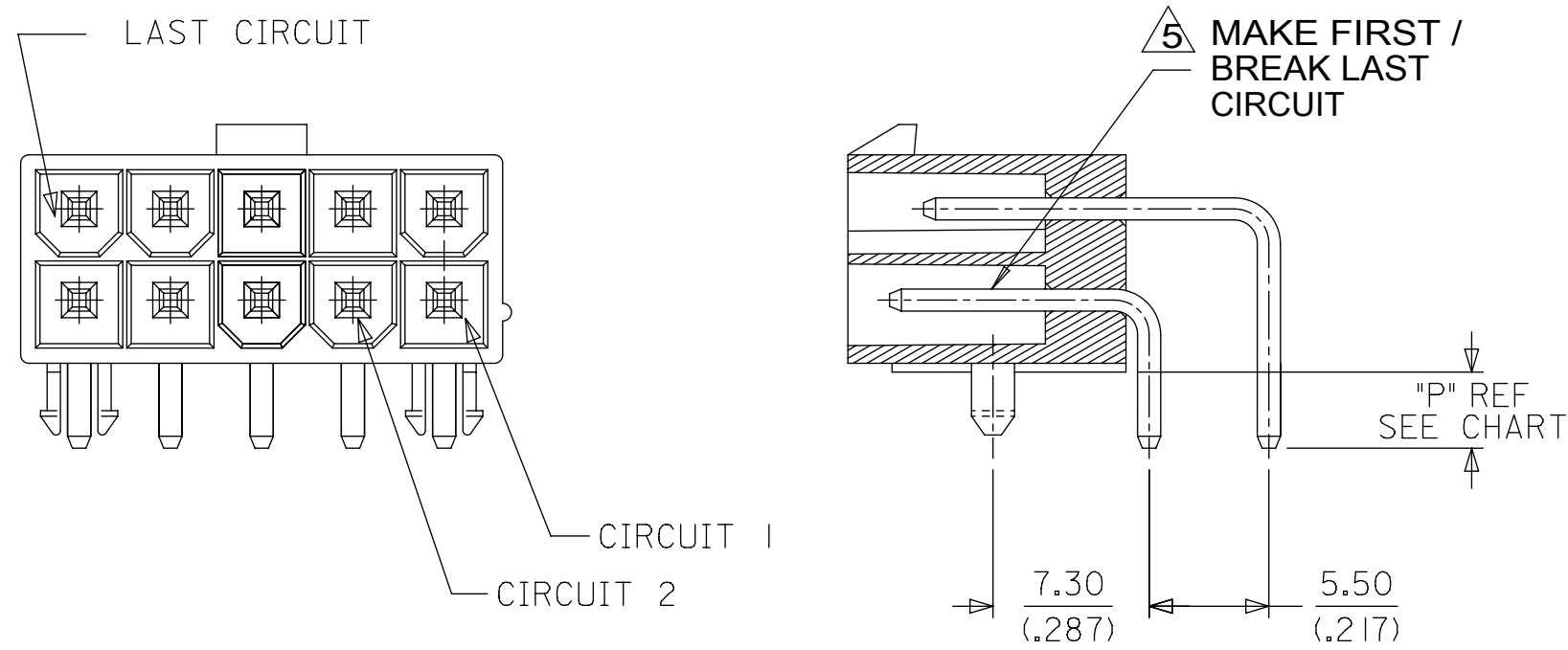


| CIRCUIT SIZE | DIM. "A" | DIM. "B" | DIM. "C" | DIM. "D" |
|--------------|------------------|------------------|------------------|------------------|
| 2 | .606 (15.40) | N.A. | .213 (5.40) | .354 (9.00) |
| 4 | .772 (19.60) | .165 (4.20) | .378 (9.60) | .520 (13.20) |
| 6 | .937 (23.80) | .331 (8.40) | .543 (13.80) | .685 (17.40) |
| 8 | 1.102 (28.00) | .496 (12.60) | .709 (18.00) | .850 (21.60) |
| 10 | 1.268 (32.20) | .661 (16.80) | .874 (22.20) | 1.016 (25.80) |
| 12 | 1.433 (36.40) | .827 (21.00) | 1.039 (26.40) | 1.181 (30.00) |
| 14 | 1.598 (40.60) | .992 (25.20) | 1.205 (30.60) | 1.346 (34.20) |
| 16 | 1.764 (44.80) | 1.157 (29.40) | 1.370 (34.80) | 1.512 (38.40) |
| 18 | 1.929 (49.00) | 1.323 (33.60) | 1.535 (39.00) | 1.677 (42.60) |
| 20 | 2.094 (53.20) | 1.488 (37.80) | 1.701 (43.20) | 1.843 (46.80) |
| 22 | 2.260 (57.40) | 1.654 (42.00) | 1.866 (47.40) | 2.008 (51.00) |
| 24 | 2.425 (61.60) | 1.819 (46.20) | 2.031 (51.60) | 2.173 (55.20) |

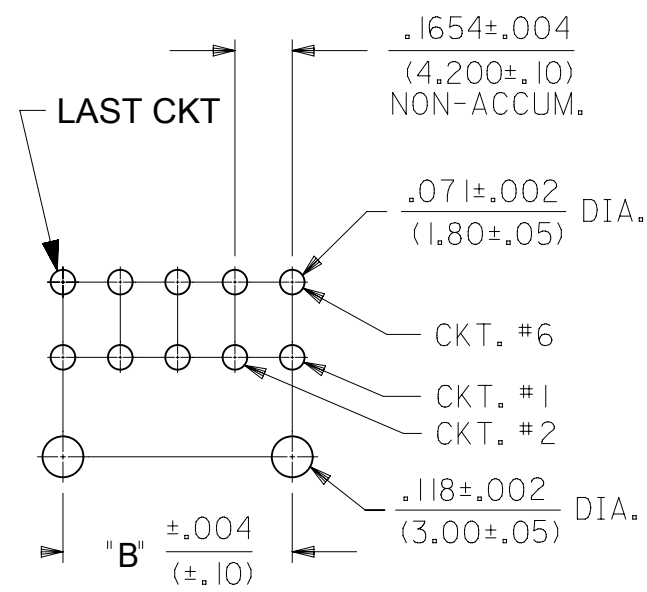
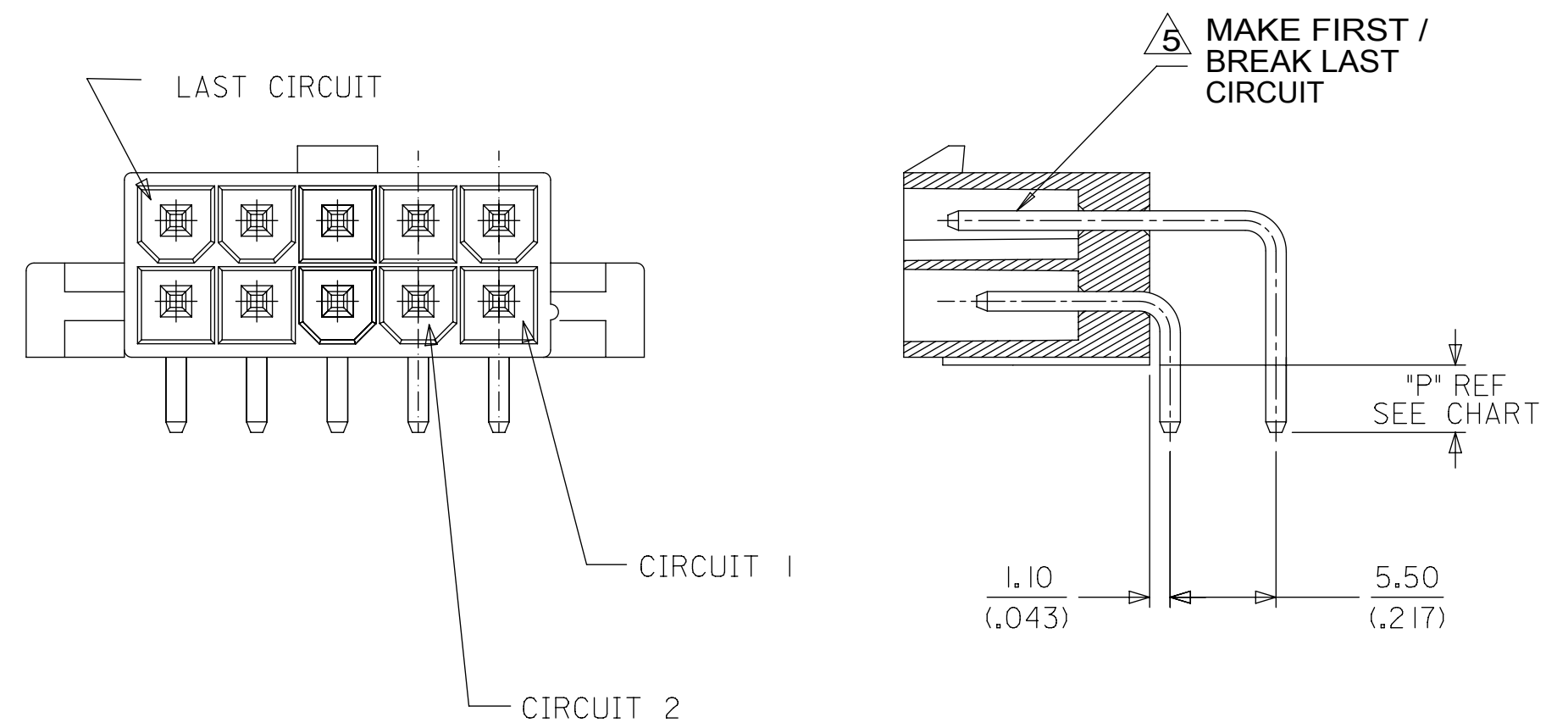
THIS DRAWING CONTAINS INFORMATION THAT IS PROPRIETARY TO MOLEX ELECTRONIC TECHNOLOGIES, LLC AND SHOULD NOT BE USED WITHOUT WRITTEN PERMISSION

| | | | |
|-----------------|--|------------------------|---|
| SYMBOLS | DIMENSION UNITS | SCALE | CURRENT REV DESC: ADDED 44130-0049 P/N |
| ▽ = 0 | IN/MM | 4:1 | |
| ▽ = 0 | GENERAL TOLERANCES (UNLESS SPECIFIED) | | |
| ▽ = 0 | | MM | INCH |
| ▽ = 0 | 4 PLACES | ± | ± |
| ▽ = 0 | 3 PLACES | ± | ± |
| ▽ = 0 | 2 PLACES | ± 0.38 | ± |
| ▽ = 0 | 1 PLACE | ± 0.38 | ± |
| ▽ = 0 | 0 PLACES | ± | ± |
| ▽ = 0 | ANGULAR TOL ± 0.5° | | |
| ▽ = 0 | DRAFT WHERE APPLICABLE MUST REMAIN WITHIN DIMENSIONS | | |
| | | THIRD ANGLE PROJECTION | DRAWING |
| | | | SERIES |
| | | | C-SIZE |
| | | | 44130 |
| | | EC NO: 645384 | DRWN: EHAUGERUD 2020/09/15 |
| | | CHK'D: DSTEIER | 2020/09/18 |
| | | APPR: FSMITH | 2020/09/23 |
| | | INITIAL REVISION: | |
| | | DRWN: POLGAR | 1998/01/23 |
| | | APPR: FSMITH | 2011/05/18 |
| DOCUMENT NUMBER | | DOC TYPE | DOC PART |
| SD-44130-001 | | PSD | 000 |
| MATERIAL NUMBER | | CUSTOMER | SHEET NUMBER |
| SEE CHART | | GENERAL MARKET | 1 OF 5 |

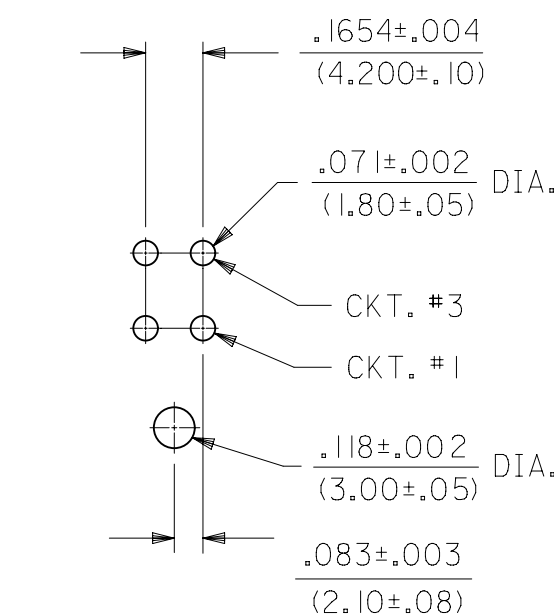
HOUSING WITH PEGS



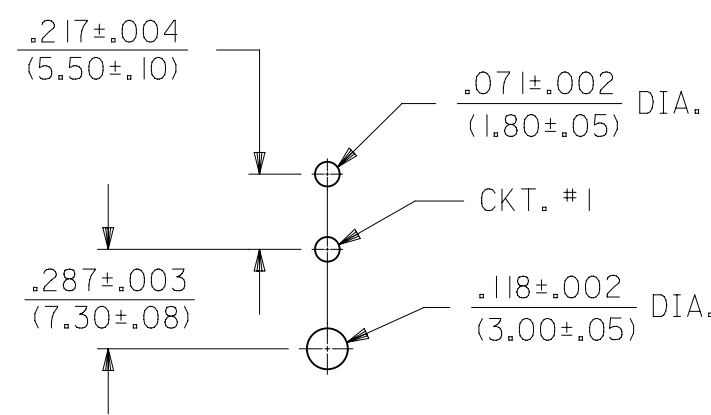
HOUSING WITH FLANGE



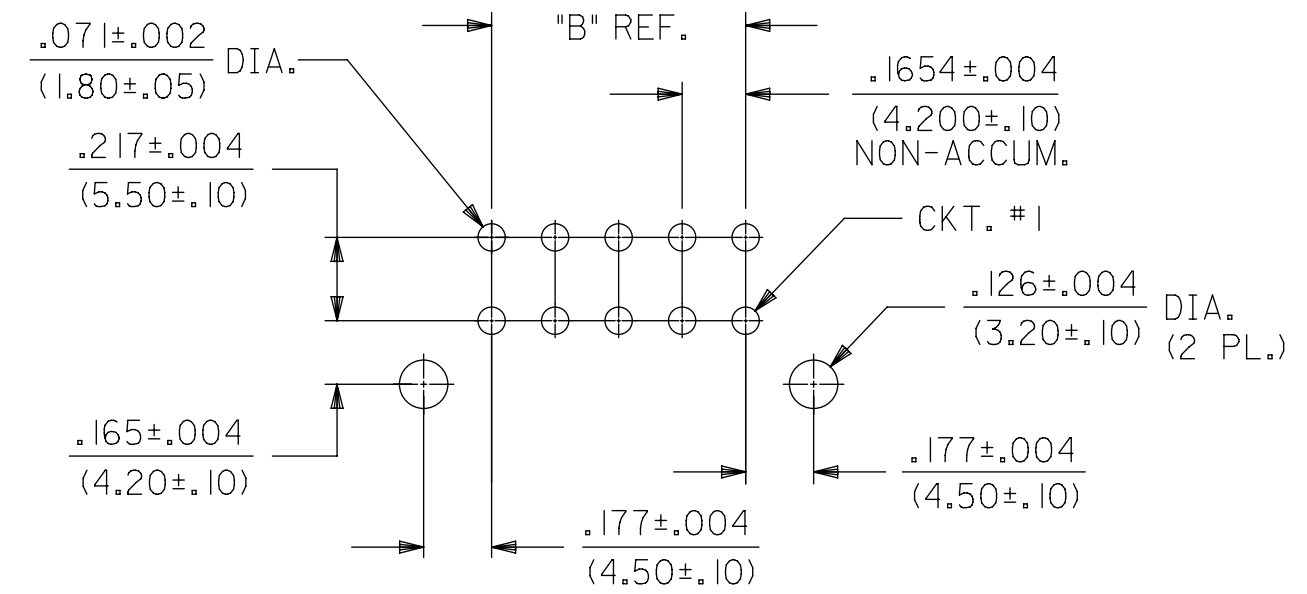
RECOMMENDED HOLE LAYOUT FOR .070/(1.78) MAX. THICK P.C. BOARD VIEWED FROM COMPONENT SIDE FOR 6 THRU 24 CIRCUITS



RECOMMENDED HOLE LAYOUT FOR .070/(1.78) MAX. THICK P.C. BOARD VIEWED FROM COMPONENT SIDE FOR 4 CIRCUIT PARTS



RECOMMENDED HOLE LAYOUT FOR .070/(1.78) MAX. THICK P.C. BOARD VIEWED FROM COMPONENT SIDE FOR 2 CIRCUIT PARTS



RECOMMENDED HOLE LAYOUT FOR .070/(1.78) MAX. THICK P.C. BOARD. (FLANGE MOUNT)

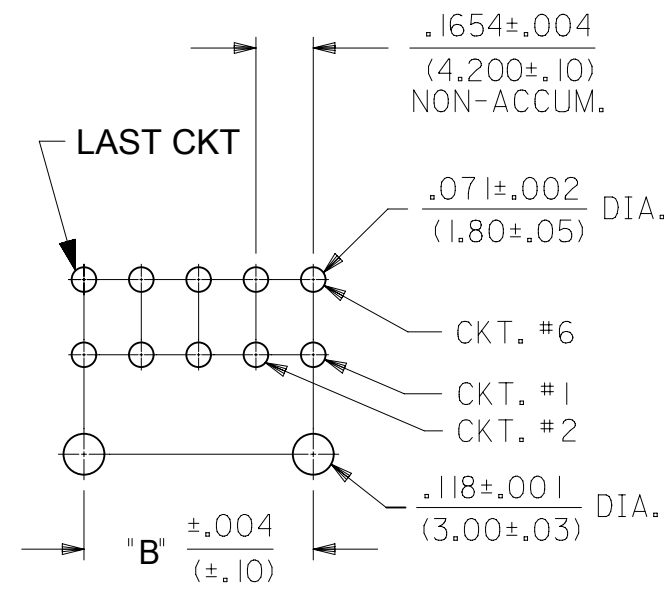
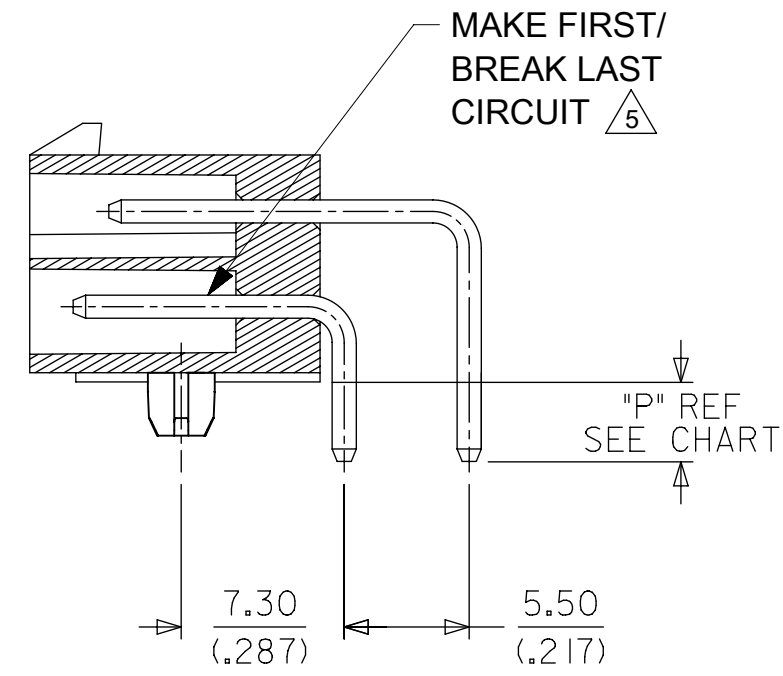
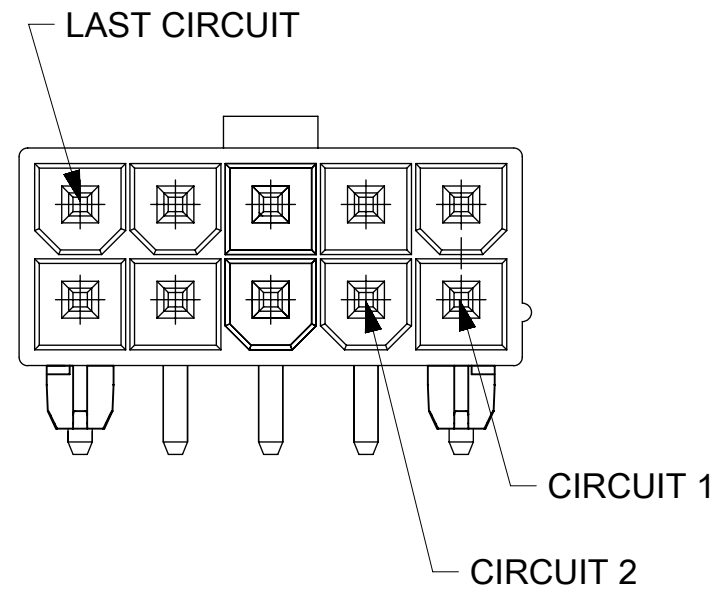
| | | | | | | | | | | |
|---------|---|--------|------------------------|--|---|--|--------|--|--|--|
| SYMBOLS | THIS DRAWING CONTAINS INFORMATION THAT IS PROPRIETARY TO MOLEX ELECTRONIC TECHNOLOGIES, LLC AND SHOULD NOT BE USED WITHOUT WRITTEN PERMISSION | | | | | | | | | |
| | DIMENSION UNITS | | SCALE | | CURRENT REV DESC: ADDED 44130-0049 P/N | | | | | |
| ▽ = 0 | IN/MM | | 4:1 | | EC NO: 645384 DRWN: EHAUGERUD 2020/09/15 CHK'D: DSTEIER 2020/09/18 APPR: FSMITH 2020/09/23 | | | | | |
| ▽ = 0 | GENERAL TOLERANCES (UNLESS SPECIFIED) | | | | | | | | | |
| ▽ = 0 | | MM | INCH | | INITIAL REVISION: DRWN: POLGAR 1998/01/23 APPR: FSMITH 2011/05/18 | | | | | |
| ▽ = 0 | 4 PLACES | ± | ± | | | | | | | |
| ▽ = 0 | 3 PLACES | ± | ± | | DOCUMENT NUMBER: SD-44130-001 DOC TYPE: PSD DOC PART: 000 REVISION: E17 | | | | | |
| ▽ = 0 | 2 PLACES | ± 0.38 | ± | | | | | | | |
| ▽ = 0 | 1 PLACE | ± 0.38 | ± | | MATERIAL NUMBER: SEE CHART CUSTOMER: GENERAL MARKET SHEET NUMBER: 2 OF 5 | | | | | |
| ▽ = 0 | 0 PLACES | ± | ± | | | | | | | |
| ▽ = 0 | ANGULAR TOL ± 0.5 ° | | THIRD ANGLE PROJECTION | | DRAWING | | SERIES | | | |
| ▽ = 0 | DRAFT WHERE APPLICABLE MUST REMAIN WITHIN DIMENSIONS | | | | C-SIZE | | 44130 | | | |

molex

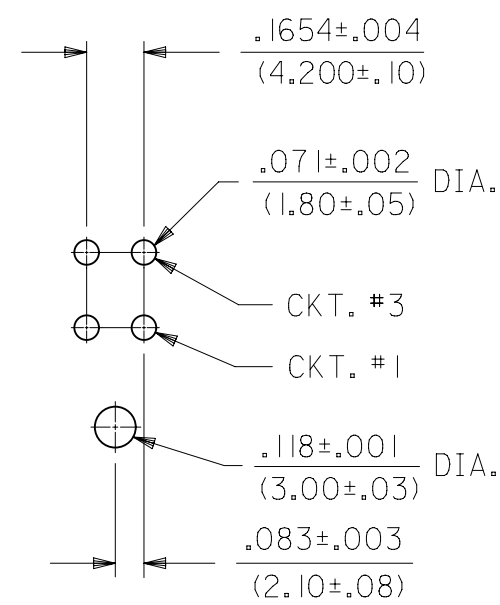
MINI-FIT JR
RIGHT ANGLE HEADER ASSY CUSTOM HEADERS

PRODUCT CUSTOMER DRAWING

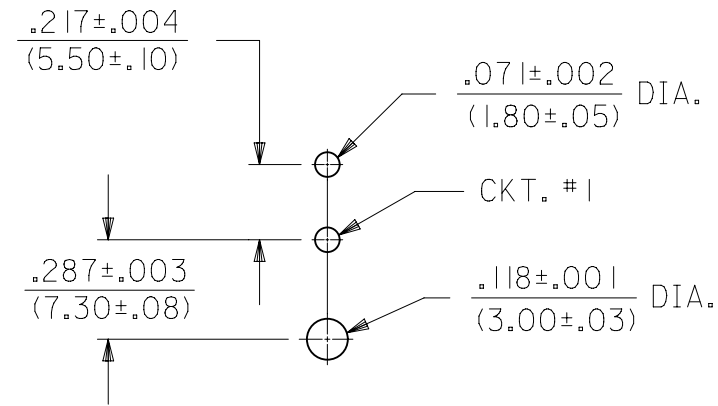
HOUSING WITH PRESS FIT PEGS



RECOMMENDED HOLE LAYOUT FOR .070/(1.78) MAX. THICK P.C. BOARD VIEWED FROM COMPONENT SIDE FOR 6 THRU 24 CIRCUITS



RECOMMENDED HOLE LAYOUT FOR .070/(1.78) MAX. THICK P.C. BOARD VIEWED FROM COMPONENT SIDE FOR 4 CIRCUIT PARTS



RECOMMENDED HOLE LAYOUT FOR .070/(1.78) MAX. THICK P.C. BOARD VIEWED FROM COMPONENT SIDE FOR 2 CIRCUIT PARTS

| | | | | | | | | | | |
|---------|---|--|------------------------|------|--|--|--------|--|--|--|
| SYMBOLS | THIS DRAWING CONTAINS INFORMATION THAT IS PROPRIETARY TO MOLEX ELECTRONIC TECHNOLOGIES, LLC AND SHOULD NOT BE USED WITHOUT WRITTEN PERMISSION | | | | | | | | | |
| | DIMENSION UNITS | | SCALE | | CURRENT REV DESC: ADDED 44130-0049 P/N | | | | | |
| ∇ = 0 | IN/MM | | 4:1 | | molex MINI-FIT JR RIGHT ANGLE HEADER ASSY CUSTOM HEADERS | | | | | |
| ∇ = 0 | GENERAL TOLERANCES (UNLESS SPECIFIED) | | | | | | | | | |
| ∇ = 0 | | | MM | INCH | EC NO: 645384 DRWN: EHAUGERUD 2020/09/15 CHK'D: DSTEIER 2020/09/18 APPR: FSMITH 2020/09/23 | | | | | |
| S = 0 | 4 PLACES | | ± | ± | INITIAL REVISION: DRWN: DRWN BY XXXX/XX/XX APPR: APPR BY XXXX/XX/XX | | | | | |
| ∇ = 0 | 3 PLACES | | ± | ± | | | | | | |
| ∇ = 0 | 2 PLACES | | ± 0.38 | ± | PRODUCT CUSTOMER DRAWING DOCUMENT NUMBER: SD-44130-001 DOC TYPE: PSD DOC PART: 000 REVISION: E17 | | | | | |
| ∇ = 0 | 1 PLACE | | ± 0.38 | ± | | | | | | |
| ∇ = 0 | 0 PLACES | | ± | ± | MATERIAL NUMBER: GENERAL MARKET CUSTOMER: GENERAL MARKET SHEET NUMBER: 3 OF 5 | | | | | |
| ∇ = 0 | ANGULAR TOL | | ± 0.5° | | | | | | | |
| ∇ = 0 | DRAFT WHERE APPLICABLE MUST REMAIN WITHIN DIMENSIONS | | THIRD ANGLE PROJECTION | | DRAWING | | SERIES | | | |
| ∇ = 0 | | | C-SIZE | | 44130 | | | | | |

| MATERIAL NUMBER | HOUSING MAT'L/COLOR | NO OF CKT | HOUSING OPTION | PKG | FINISH SEE NOTE #2 | PIN IDENTIFICATION CODE / CIRCUIT LOCATION (SEE CHART BELOW) V = VOID | | | | | | | | | | | | | | | | | | | | | | | |
|-----------------|---------------------|-----------|----------------|------|--------------------|---|-------|-------|-------|-------|-------|-------|-------|-------|--------|--------|--------|--------|--------|--------|--------|--------|--------|--------|--------|--------|--------|--------|--------|
| | | | | | | CKT 1 | CKT 2 | CKT 3 | CKT 4 | CKT 5 | CKT 6 | CKT 7 | CKT 8 | CKT 9 | CKT 10 | CKT 11 | CKT 12 | CKT 13 | CKT 14 | CKT 15 | CKT 16 | CKT 17 | CKT 18 | CKT 19 | CKT 20 | CKT 21 | CKT 22 | CKT 23 | CKT 24 |
| 44130-0001 | NYLON 94V-2/BLACK | 06 | PEG | TRAY | MS | | | | | 2 | | | | | | | | | | | | | | | | | | | |
| 44130-0002 | NYLON 94V-2/BLACK | 08 | PEG | TRAY | MS | 2 | | | | | | | | | | | | | | | | | | | | | | | |
| 44130-0003 | NYLON 94V-0/BLACK | 08 | PEG | TRAY | MS | 2 | | | | | | | | | | | | | | | | | | | | | | | |
| 44130-0004 | NYLON 94V-0/BLACK | 06 | PEG | TRAY | MS | | | | | 2 | | | | | | | | | | | | | | | | | | | |
| 44130-0006 | NYLON 94V-0/NATURAL | 04 | PEG | BULK | MS | 2 | 3 | 2 | 2 | | | | | | | | | | | | | | | | | | | | |
| 44130-0007 | NYLON 94V-0/NATURAL | 06 | PEG | BULK | MS | 2 | | | 2 | 2 | 2 | | | | | | | | | | | | | | | | | | |
| 44130-0008 | NYLON 94V-0/NATURAL | 10 | FLANGES | BULK | MS | 4 | 4 | 4 | 4 | 4 | 4 | 4 | 4 | 4 | | | | | | | | | | | | | | | |
| 44130-0009 | NYLON 94V-0/NATURAL | 06 | PEG | TRAY | MS | V | | | 2 | 2 | 2 | | | | | | | | | | | | | | | | | | |
| 44130-0013 | NYLON 94V-0/NATURAL | 06 | FLANGES | TRAY | MS | 2 | 2 | 2 | | 2 | 2 | | | | | | | | | | | | | | | | | | |
| 44130-0015 | NYLON 94V-2/NATURAL | 24 | PEG | TRAY | MS | 2 | 2 | | | | | | | | | | | | | | | | | | | 2 | | | |
| 44130-0017 | NYLON 94V-0/BLACK | 08 | PEG | TRAY | MS | | 2 | | | | | | | | | | | | | | | | | | | | | | |
| 44130-0024 | NYLON 94V-0/NATURAL | 08 | PEG | BULK | GS | 2 | 2 | 5 | 2 | 2 | 5 | 2 | 2 | | | | | | | | | | | | | | | | |
| 44130-0026 | NYLON 94V-2/NATURAL | 04 | PEG | BULK | MS | 8 | 8 | 8 | 8 | | | | | | | | | | | | | | | | | | | | |
| 44130-0027 | NYLON 94V-0/NATURAL | 02 | PEG | BULK | MS | 5 | 5 | | | | | | | | | | | | | | | | | | | | | | |
| 44130-0028 | NYLON 94V-0/NATURAL | 04 | PEG | BULK | MS | 8 | 8 | 8 | 8 | | | | | | | | | | | | | | | | | | | | |
| 44130-0030 | NYLON 94V-0/NATURAL | 06 | PEG | TRAY | GS | 2 | 1 | 2 | 2 | 2 | 2 | | | | | | | | | | | | | | | | | | |
| 44130-0031 | NYLON 94V-0/NATURAL | 08 | PEG | BULK | MS | 9 | 9 | 9 | 9 | 9 | 9 | 9 | | | | | | | | | | | | | | | | | |

| PIN ID | MATING CONFIGURATION | DIM P REF (PCB TAIL LENGTH) | PIN ID | MATING CONFIGURATION | DIM P (PCB TAIL LENGTH) |
|--------|------------------------------------|-----------------------------|--------|----------------------|-------------------------|
| | | | | | |
| 2 | STANDARD MATING | 3.5 (.14) | | | |
| 3 | MAKE FIRST/BREAK LAST (LONGER PIN) | 4.9 (.19) | | | |
| 4 | STANDARD MATING | 6.0 (.24) | | | |
| 5 | MAKE FIRST/BREAK LAST (LONGER PIN) | 4.2 (.17) | | | |
| 6 | STANDARD MATING | 4.2 (.17) | | | |
| 8 | STANDARD MATING | 5.3 (.21) | | | |

| | | | | | | | | | | | | | |
|--|---|------------------------|-------|---------|---|--------|--|-----------------|--|----------------|--|--------------|--|
| SYMBOLS = 0 = 0 = 0 = 0 = 0 = 0 = 0 = 0 = 0 = 0 | THIS DRAWING CONTAINS INFORMATION THAT IS PROPRIETARY TO MOLEX ELECTRONIC TECHNOLOGIES, LLC AND SHOULD NOT BE USED WITHOUT WRITTEN PERMISSION | | | | | | | | | | | | |
| | DIMENSION UNITS | | SCALE | | CURRENT REV DESC: ADDED 44130-0049 P/N | | | | | | | | |
| | IN/MM | | 1:1 | | molex MINI-FIT JR RIGHT ANGLE HEADER ASSY CUSTOM HEADERS PRODUCT CUSTOMER DRAWING | | | | | | | | |
| | GENERAL TOLERANCES (UNLESS SPECIFIED) | | | | | | | | | | | | |
| | 4 PLACES ± | | MM | | INCH | | EC NO: 645384 | | | | | | |
| | 3 PLACES ± | | | | | | DRWN: EHAUGERUD 2020/09/15 | | | | | | |
| | 2 PLACES ± 0.38 | | | | | | CHK'D: DSTEIER 2020/09/18 | | | | | | |
| | 1 PLACE ± 0.38 | | | | | | APPR: FSMITH 2020/09/23 | | | | | | |
| | 0 PLACES ± | | | | | | INITIAL REVISION: | | | | | | |
| | ANGULAR TOL ± 0.5° | | | | | | DRWN: POLGAR 1998/01/23 APPR: FSMITH 2011/05/18 | | | | | | |
| DRAFT WHERE APPLICABLE MUST REMAIN WITHIN DIMENSIONS | | THIRD ANGLE PROJECTION | | DRAWING | | SERIES | | MATERIAL NUMBER | | CUSTOMER | | SHEET NUMBER | |
| | | | | C-SIZE | | 44130 | | SEE CHART | | GENERAL MARKET | | 4 OF 5 | |

X-ON Electronics

Largest Supplier of Electrical and Electronic Components

Click to view similar products for [Headers & Wire Housings](#) category:

Click to view products by [Molex](#) manufacturer:

Other Similar products are found below :

[892-18-020-10-001101](#) [58102-G61-06LF](#) [582553-1](#) [0009485154](#) [009176003701906](#) [0050291907](#) [LY20-4P-DT1-P1E-BR](#) [02.125.8002.8](#)
[609-3404](#) [61062-3](#) [622-0430](#) [622-3653LF](#) [63453-116](#) [636-1030](#) [636-1427](#) [636-3427](#) [636-4007](#) [641938-9](#) [641991-4](#) [644827-2](#) [65817-010LF](#)
[65817-015LF](#) [65863-015LF](#) [66207-023LF](#) [67095-007LF](#) [67601157](#) [68648-049](#) [70.362.1628.0](#) [70-4210](#) [70-4226B](#) [70-4853B](#) [707-5020](#) [707-5028](#) [71.350.2428.0](#) [71918-208LF](#) [71961-016LF](#) [733-134](#) [733-162](#) [754199-000](#) [760-3052](#) [787-8014-00](#) [79531-3000](#) [FCN-360C032-B](#) [FCN-367T-T012/H](#) [FCN-723D010/2](#) [80.063.4001.1](#) [800-90-001-10-001000](#) [800-90-010-10-002000](#) [801-43-002-10-013000](#) [801-43-006-10-002000](#)