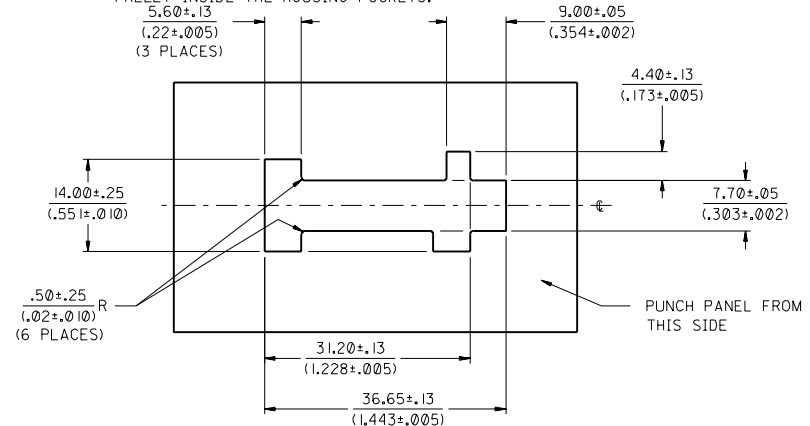
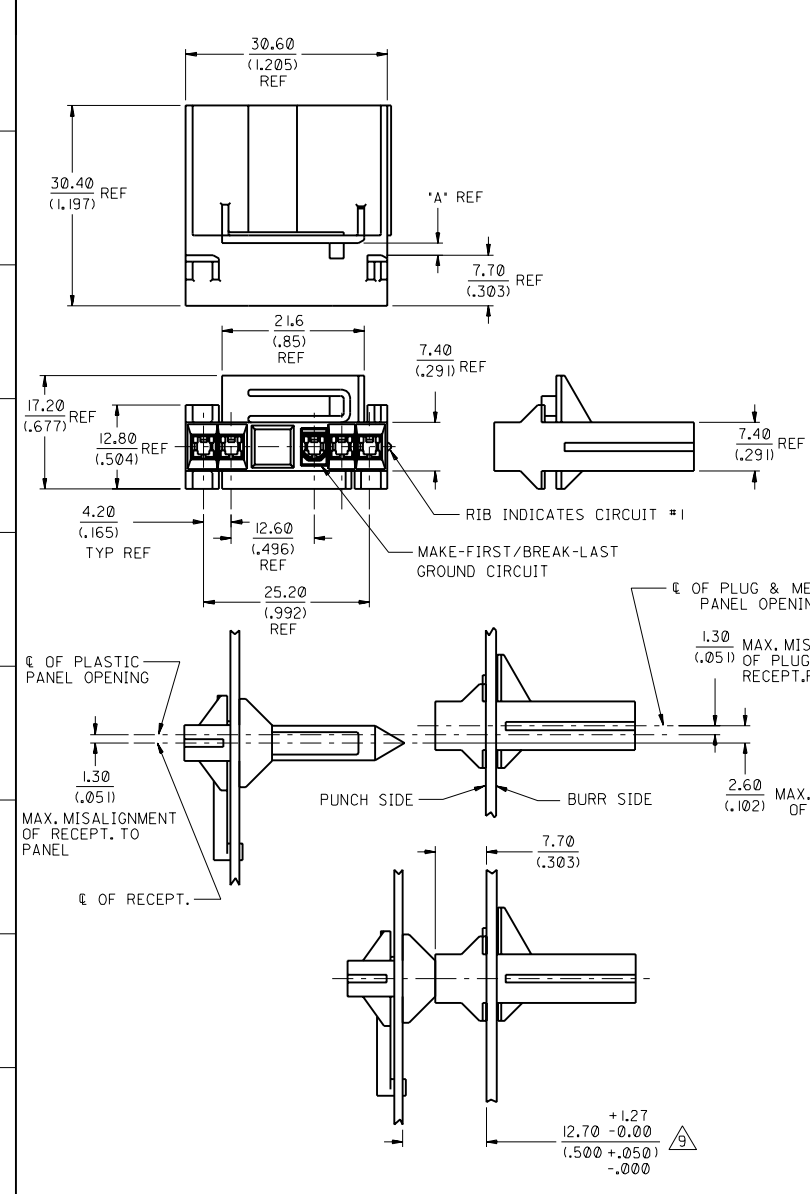


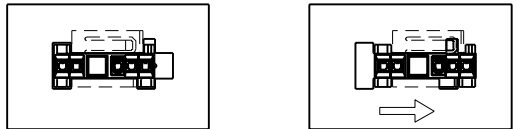
13	12	11	10	9	8	7	6	5	4	3	2	1
MATERIAL NO.	HOUSING VERSION	*A* DIMENSION	PANEL THICKNESS	PANEL TYPE								
44157-0001	PANEL MOUNT PLUG	1.80/(.071)	$\frac{1.60 \pm .05}{(.063 \pm .002)}$	SHEET METAL								
44157-0002	PANEL MOUNT PLUG	1.40/(.055)	$\frac{1.20 \pm .03}{(.047 \pm .001)}$	SHEET METAL								

**NOTES:**

- MATERIAL: HOUSINGS: NYLON, UNFILLED, UL 94V-0. COLOR: NATURAL  
TERMINAL: HIGH CURRENT COPPER ALLOY.
- FINISH: OVERALL TIN PLATE.
- PRODUCT SPEC.: NONE
- DIMENSIONS GIVEN ACROSS C'S ARE SYMMETRICAL ABOUT THOSE C'S WITHIN HALF THE TOTAL TOLERANCE.
- THIS PLUG IS DESIGNED TO BE USED WITH MALE TERMINAL 44478-\*\*2\*\*.
- THIS PLUG IS DESIGNED TO MATE WITH FLOATING RECEPTACLE NO. 44156-0001.
- THIS PLUG IS DESIGNED TO BE USED WITH VARIOUS PANEL THICKNESSES.
- ASSEMBLIES ARE NOT TO BE MATED OR UNMATED WHILE CIRCUITS ARE LIVE.
- A MAXIMUM TOLERANCE OF .120/(.050) ALLOWS FOR 2 POINTS OF CONTACT. A MAXIMUM TOLERANCE OF .51/(.020) ALLOWS FOR 4 POINTS OF CONTACT.
- WIRES ARE TO BE DRESSED IN SUCH A MANNER TO ALLOW THE TERMINALS TO FLOAT FREELY INSIDE THE HOUSING POCKETS.



PANEL OPENING: FROM OUTSIDE THE BOX  
RECOMMENDED PANEL THICKNESS: SEE TABLE



- INSERT PLUG THRU POLARIZED
- SLIDE TO RIGHT UNTIL LATCH ENGAGES SLOT IN PANEL.

**PANEL MOUNTING INSTRUCTIONS**  
FULL SCALE

ADDED NOTE #10 EC NO. UCR 2001-1079 DRAWN: POLGAR 07/05/16 CHK'D: COMERCIAL 07/05/17 APPR: COMERCIAL 07/05/17	QUALITY SYMBOLS MAJOR CRITICAL	GENERAL TOLERANCES: (UNLESS SPECIFIED)		SCALE 2 : 1	DESIGN UNITS <input checked="" type="checkbox"/> mm <input type="checkbox"/> INCH	THIRD ANGLE PROJECTION	DIMENSIONS: <input checked="" type="checkbox"/> mm <input type="checkbox"/> INCH <input type="checkbox"/> ONLY	SHT	REV	
		4 PLACES ±0.--- ±.---	3 PLACES ±0.--- ±.---	2 PLACES ±0.--- ±.---	1 PLACE ±0.--- ±.---	ANGULAR: ± -- °	DRAWN BY & DATE POLGAR 98/05/11		TITLE: B.M.I. PANEL MT. PLUG, 5.0/(.197) MIN. I.E.C. SPEC. MINI-FIT JR. SERIES	
		CHECKED BY & DATE COMERCIAL 98/06/08		APPROVED BY & DATE COMERCIAL 98/06/08		MATERIAL NO. SEE CHART		DRAWING NO. SD-44157-001		SHEET NO. 1 OF 1
		DRAFT WHERE APPLICABLE MUST REMAIN WITHIN DIMENSIONS		THIS DRAWING CONTAINS INFORMATION THAT IS PROPRIETARY TO MOLEX INCORPORATED AND SHOULD NOT BE USED WITHOUT WRITTEN PERMISSION.		CAD FILENAME		MOLEX MOLEX INCORPORATED		SIZE C

## X-ON Electronics

Largest Supplier of Electrical and Electronic Components

*Click to view similar products for [Headers & Wire Housings](#) category:*

*Click to view products by [Molex](#) manufacturer:*

Other Similar products are found below :

[892-18-020-10-001101](#) [58102-G61-06LF](#) [582553-1](#) [0009485154](#) [009176003701906](#) [0050291907](#) [LY20-4P-DT1-P1E-BR](#) [02.125.8002.8](#)  
[609-3404](#) [61062-3](#) [622-0430](#) [622-3653LF](#) [63453-116](#) [636-1030](#) [636-1427](#) [636-3427](#) [636-4007](#) [641938-9](#) [641991-4](#) [644827-2](#) [65817-010LF](#)  
[65817-015LF](#) [65863-015LF](#) [66207-023LF](#) [67095-007LF](#) [67601157](#) [68648-049](#) [70.362.1628.0](#) [70-4210](#) [70-4226B](#) [70-4853B](#) [707-5020](#) [707-5028](#) [71.350.2428.0](#) [71918-208LF](#) [71961-016LF](#) [733-134](#) [733-162](#) [754199-000](#) [760-3052](#) [787-8014-00](#) [79531-3000](#) [FCN-360C032-B](#) [FCN-367T-T012/H](#) [FCN-723D010/2](#) [80.063.4001.1](#) [800-90-001-10-001000](#) [800-90-010-10-002000](#) [801-43-002-10-013000](#) [801-43-006-10-002000](#)