

**PLEASE CHECK WWW.MOLEX.COM FOR LATEST PART INFORMATION**

**Part Number:** [0444281805](#)  
**Status:** **Active**  
**Overview:** [Micro-Fit Connector System](#)  
**Description:** Micro-Fit BMI Header, Surface Mount Compatible, Dual Row, Right-Angle, without Snap-in Plastic Peg PCB Lock, 18 Circuits, 0.38µm Gold (Au) Selective Plating

**Documents:**

|  |   |
|--|---|
| <a href="#">3D Model</a>                                       | <a href="#">Test Summary 444280001-TS-000 (PDF)</a>             |
| <a href="#">Drawing (PDF)</a>                                  | <a href="#">Datasheet (PDF)</a>                                 |
| <a href="#">3D Model (PDF)</a>                                 | <a href="#">Symbol Footprint Data SYM-44428-18046-001 (PDF)</a> |
| <a href="#">Product Specification PS-44300-001-001 (PDF)</a>   | <a href="#">RoHS Certificate of Compliance (PDF)</a>            |
| <a href="#">Packaging Specification PK-44428-001-001 (PDF)</a> |   |

**Agency Certification**

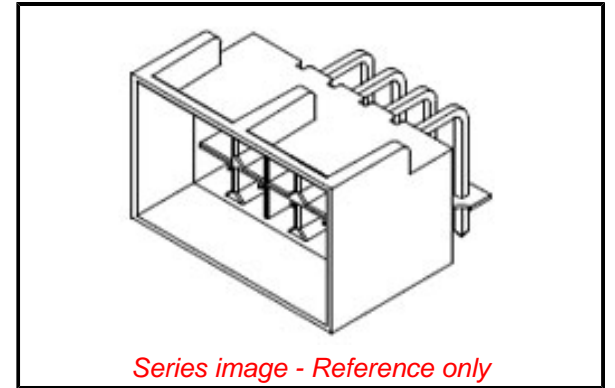
|     |         |
|-----|---------|
| CSA | LR19980 |
| UL  | E29179  |

**General**

|                |  |
|----------------|--|
| Product Family | PCB Headers  |
| Series         | <a href="#">44428</a>  |
| Application    | Board-to-Board, Power, Wire-to-Board                             |
| Comments       | High Temperature Square Pin Solder Type Polarized to Mating Part |
| Overview       | <a href="#">Micro-Fit Connector System</a>                       |
| Product Name   | Micro-Fit BMI  |
| UPC            | 756054349595   |

**Physical**

|                                |                                |
|--------------------------------|--------------------------------|
| Breakaway                      | No                             |
| Circuits (Loaded)              | 18                             |
| Circuits (maximum)             | 18                             |
| Color - Resin                  | Black                          |
| Durability (mating cycles max) | 30                             |
| First Mate / Last Break        | No                             |
| Flammability                   | 94V-0                          |
| Glow-Wire Capable              | No                             |
| Guide to Mating Part           | No                             |
| Keying to Mating Part          | None                           |
| Lock to Mating Part            | Yes                            |
| Material - Metal               | Brass                          |
| Material - Plating Mating      | Gold                           |
| Material - Plating Termination | Tin                            |
| Material - Resin               | High Temperature Thermoplastic |
| Net Weight                     | 3.710/g                        |
| Number of Rows                 | 2                              |
| Orientation                    | Right Angle                    |
| PC Tail Length                 | 3.50mm                         |
| PCB Locator                    | Yes                            |
| PCB Retention                  | None                           |
| PCB Thickness - Recommended    | 1.60mm                         |
| Packaging Type                 | Tray                           |
| Pitch - Mating Interface       | 3.00mm                         |
| Plating min - Mating           | 0.381µm                        |
| Plating min - Termination      | 2.540µm                        |
| Polarized to PCB               | Yes                            |
| Shrouded                       | Fully                          |
| Stackable                      | No                             |



**EU ELV**

**Not Relevant**

**EU RoHS**

**Compliant**

**REACH SVHC**

Not Contained Per -  
D(2021)4569-DC (8  
July 2021)

**Halogen-Free**

**Status**

**Not Low-Halogen**

For more information, please visit [Contact US](#)

China ROHS

ELV

RoHS Phthalates

**China RoHS**

Green Image

Not Relevant

Not Contained

**Search Parts in this Series**

[44428](#) Series

**Mates With**

[44133](#) Micro-Fit BMI Panel Mount Receptacle Housing, [44764](#) Micro-Fit BMI Receptacle Header, [44769](#) Micro-Fit BMI Receptacle Header

|                                |                |
|--------------------------------|----------------|
| Surface Mount Compatible (SMC) | Yes            |
| Temperature Range - Operating  | -40° to +105°C |
| Termination Interface: Style   | Through Hole   |

**Electrical**

|                               |      |
|-------------------------------|------|
| Current - Maximum per Contact | 8.5A |
| Voltage - Maximum             | 600V |

**Solder Process Data**

|  |      |
|--|------|
| Duration at Max. Process Temperature (seconds) | 005  |
| Lead-free Process Capability                   | WAVE |
| Max. Cycles at Max. Process Temperature        | 001  |
| Process Temperature max. C                     | 260  |

**Material Info****Reference - Drawing Numbers**

|                         |                      |
|-------------------------|----------------------|
| Packaging Specification | PK-44428-001-001     |
| Product Specification   | PS-44300-001-001     |
| Sales Drawing           | SD-44428-001-001     |
| Symbol/Footprint Data   | SYM-44428-1804_6-001 |
| Test Summary            | 444280001-TS-000     |

This document was generated on 08/31/2021

**PLEASE CHECK [WWW.MOLEX.COM](http://WWW.MOLEX.COM) FOR LATEST PART INFORMATION**

## X-ON Electronics

Largest Supplier of Electrical and Electronic Components

*Click to view similar products for [Headers & Wire Housings](#) category:*

*Click to view products by [Molex](#) manufacturer:*

Other Similar products are found below :

[892-18-020-10-001101](#) [58102-G61-06LF](#) [582553-1](#) [0009485154](#) [009176003701906](#) [0050291907](#) [LY20-4P-DT1-P1E-BR](#) [02.125.8002.8](#)  
[609-3404](#) [61062-3](#) [622-0430](#) [622-3653LF](#) [63453-116](#) [636-1030](#) [636-1427](#) [636-3427](#) [636-4007](#) [641938-9](#) [641991-4](#) [644827-2](#) [65817-010LF](#)  
[65817-015LF](#) [65863-015LF](#) [66207-023LF](#) [67095-007LF](#) [67601157](#) [68648-049](#) [70.362.1628.0](#) [70-4210](#) [70-4226B](#) [70-4853B](#) [707-5020](#) [707-](#)  
[5028](#) [71.350.2428.0](#) [71918-208LF](#) [71961-016LF](#) [733-134](#) [733-162](#) [754199-000](#) [760-3052](#) [787-8014-00](#) [79531-3000](#) [FCN-360C032-B](#) [FCN-](#)  
[367T-T012/H](#) [FCN-723D010/2](#) [80.063.4001.1](#) [800-90-001-10-001000](#) [800-90-010-10-002000](#) [801-43-002-10-013000](#) [801-43-006-10-002000](#)