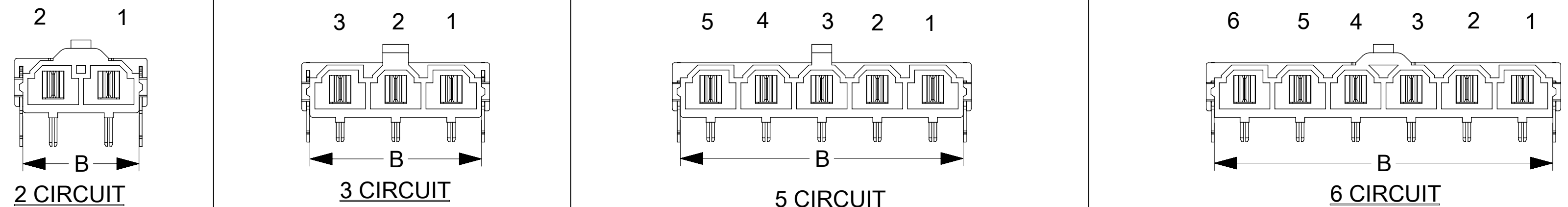
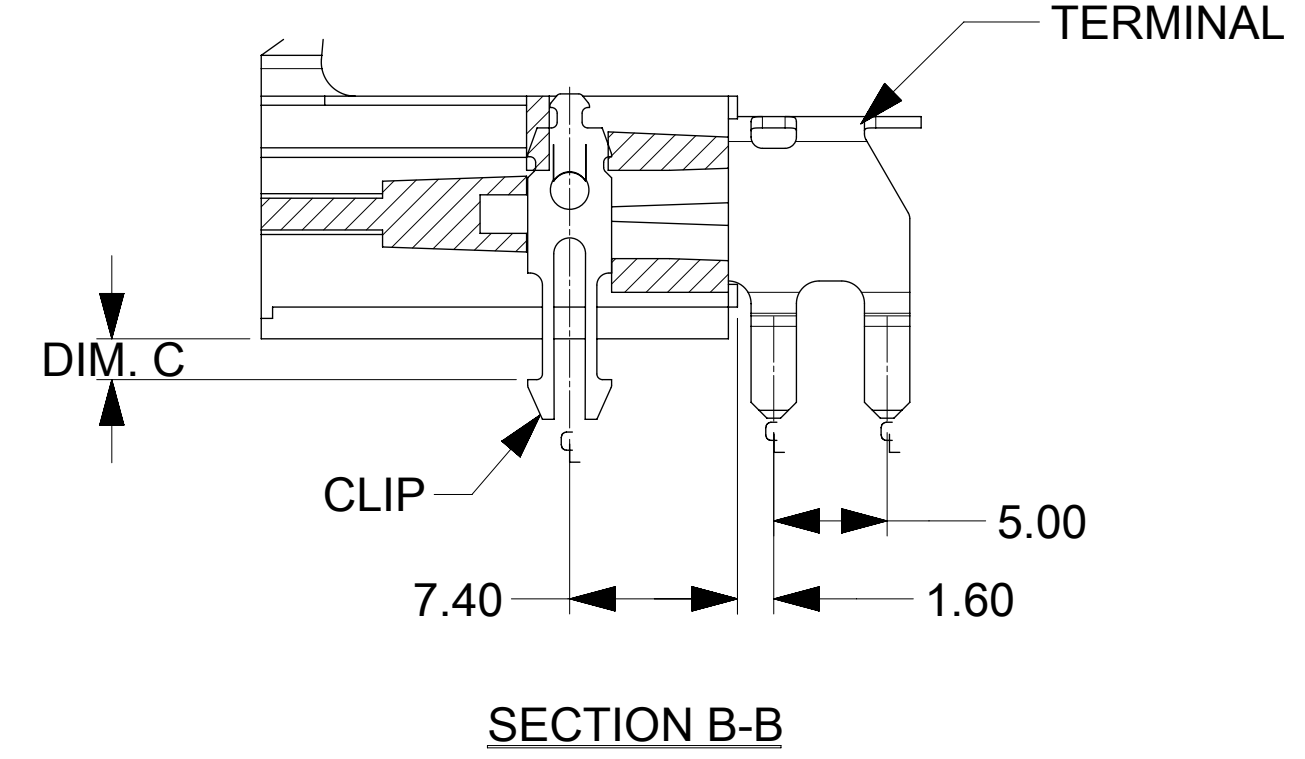
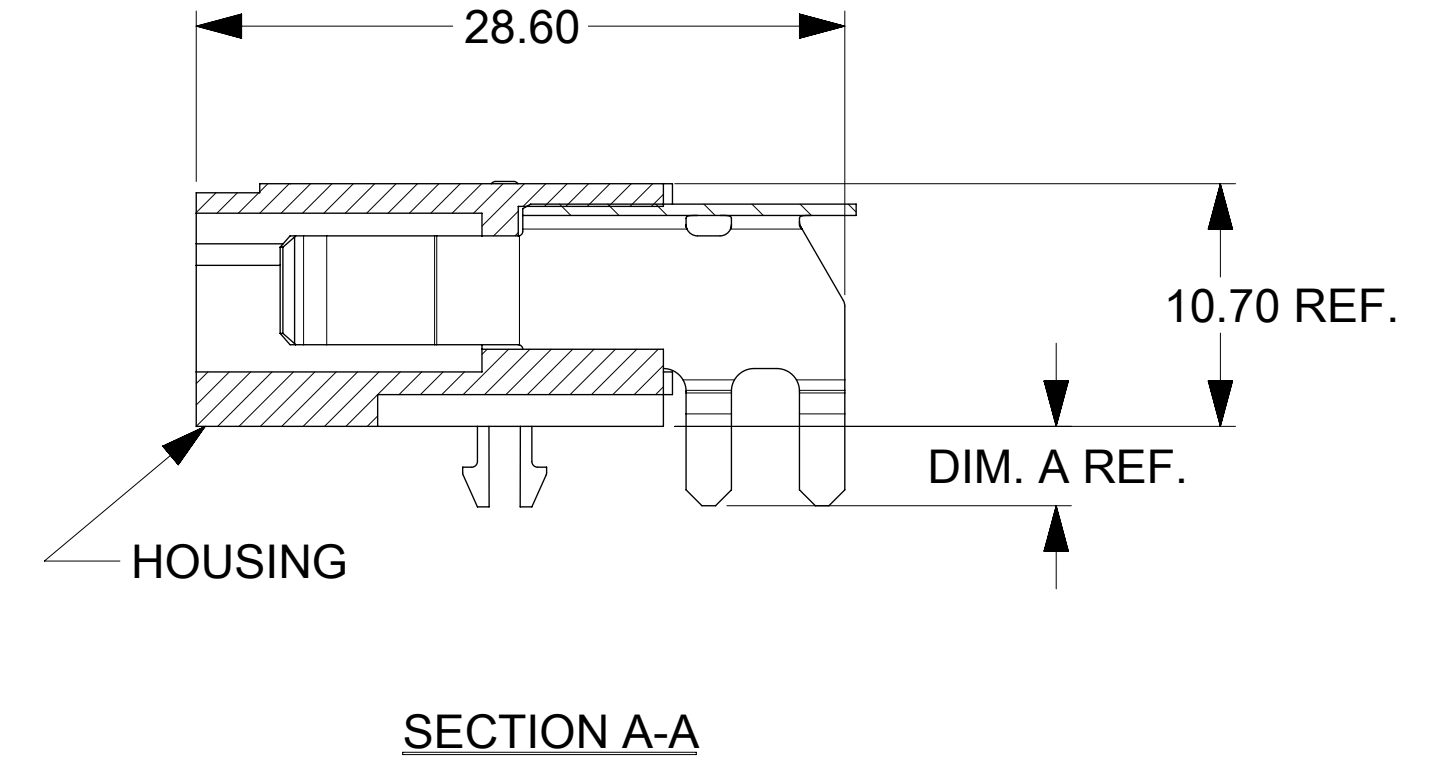
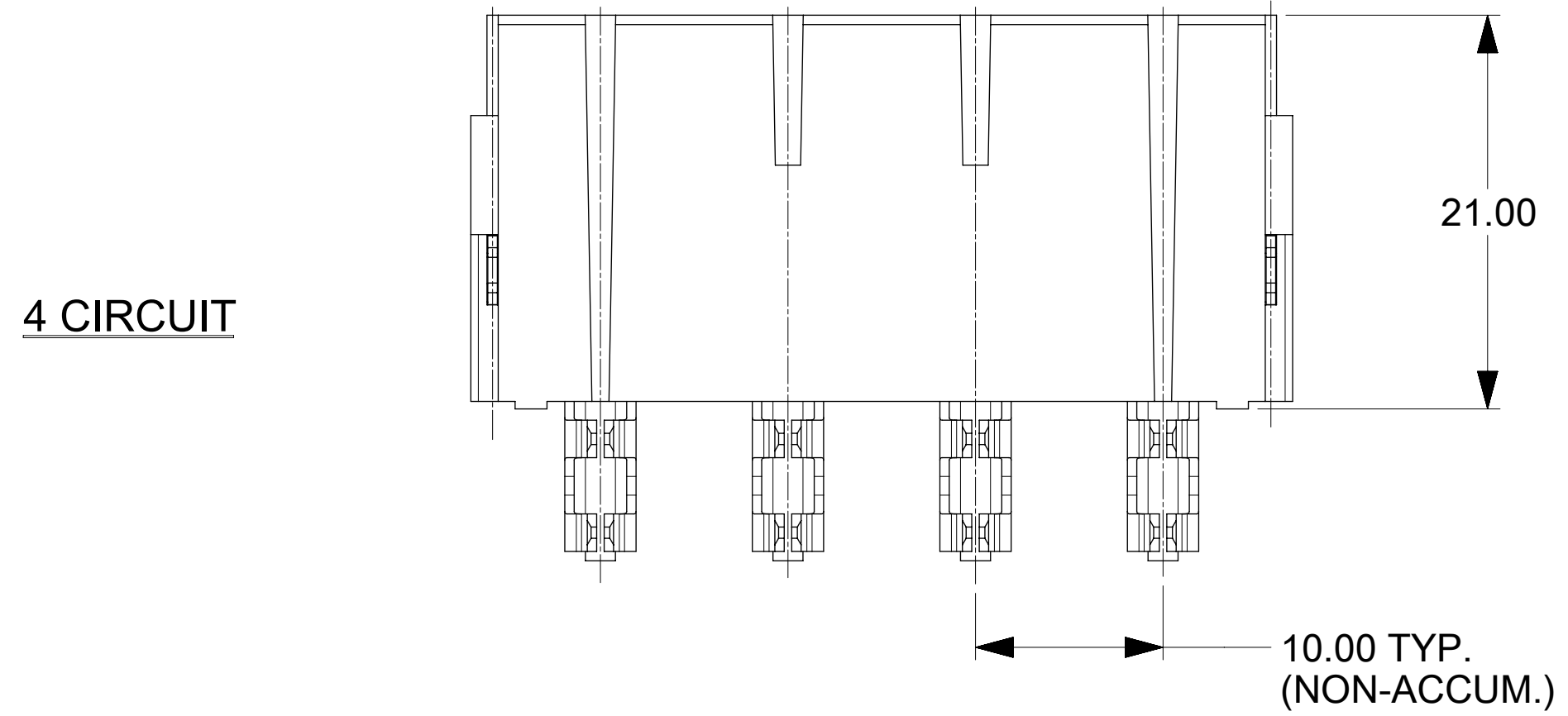
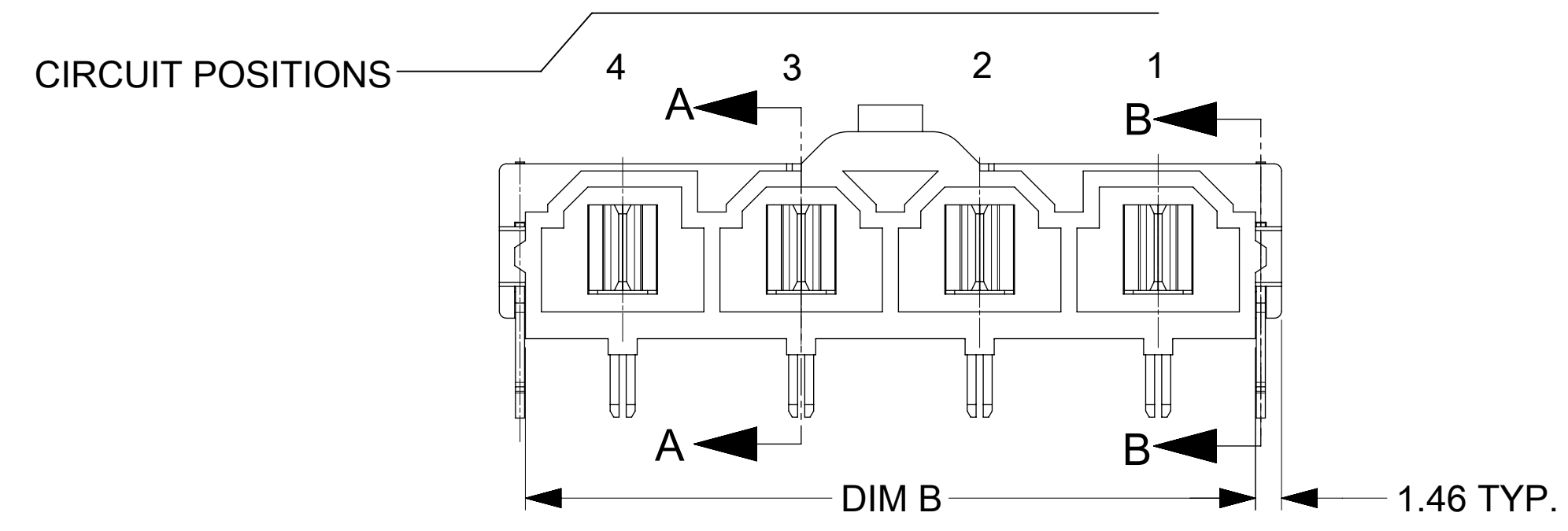


ITEM NUMBER	CKT. SIZE	STANDARD TERMINAL LOADED	QTY.	LOADED IN CIRCUIT POSITIONS	MFBL TERMINAL LOADED	QTY.	LOADED IN CIRCUIT POSITIONS	QUANTITY OF VOIDED CIRCUIT	DIM A	DIM B	DIM C	TERMINAL PLATING
445400001	3	YES	1	2	YES	2	1 & 3	NONE	3.50	30.90	1.80	OVERALL BRIGHT TIN
445400002	3	YES	2	2 & 3	NO	N/A	N/A	1	3.50	30.90	1.80	
445400003	3	YES	2	1 & 3	NO	N/A	N/A	1	3.50	30.90	1.80	
445400004	3	YES	2	1 & 2	NO	N/A	N/A	1	3.50	30.90	1.80	
445400005	5	YES	4	2, 3, 4, 5	YES	1	1	NONE	3.50	50.90	1.80	
445400006	4	YES	3	2, 3, 4	YES	1	1	NONE	3.50	40.90	1.80	
445400007	3	YES	2	1 & 2	YES	1	3	NONE	3.50	30.90	1.80	
445400008	4	YES	3	1, 2, 3	YES	1	4	NONE	3.50	40.90	1.80	
445400009	2	YES	1	2	YES	1	1	NONE	5.10	20.90	3.40	
445400010	2	YES	1	2	YES	1	1	NONE	3.50	20.90	1.80	
445400011	2	YES	1	1	YES	1	2	NONE	3.50	40.90	1.80	
445400012	4	YES	1	2	YES	3	1, 3 & 4	NONE	5.10	40.90	3.40	
445400013	3	YES	2	1 & 3	YES	1	2	NONE	3.50	30.90	1.80	
445400014	6	YES	5	1,2,3,4&5	YES	1	6	NONE	3.50	60.90	1.80	
445401001	3	YES	2	1 & 3	YES	1	2	NONE	3.50	30.90	1.80	
445401009	2	YES	1	2	YES	1	1	NONE	5.10	20.90	3.40	
445401010	3	YES	2	1 & 3	NO	N/A	N/A	1	3.50	30.90	1.80	
445401011	3	YES	2	1 & 3	NO	N/A	N/A	1	3.50	30.90	1.80	

- NOTES:-
- MATERIAL: HOUSING:- GLASS FILLED NYLON 4/6, U.L. 94V-0, COLOR: BLACK.  
TERMINAL:- HIGH PERFORMANCE COPPER ALLOY.
  - PLATING: OVERALL BRIGHT TIN:- .000100/(.00254) MIN. TIN OVER .000050/(.00127) MIN. NICKEL.  
SELECT GOLD:- .000030/(.00076) MIN. SELECT GOLD IN CONTACT AREA, .000100/(.00254) MIN. SELECT TIN ON SOLDER TAILS OVER .000050/(.00127) MIN. NICKEL.  
SELECT SILVER: .000100/(.00254)MIN.SILVER, .000100/(.00254)MIN SELECT TIN ON SOLDER TAILS, BOTH OVER .000050/(.00127) MIN. NICKEL OVERALL.
  - PRODUCT SPECS: NONE.
  - PACKAGING INFORMATION: PK-42820-910.
  - PART IS DESIGNED AND DIMENSIONED IN METRIC.
  - WHEN USING OVERALL TIN PLATED TERMINALS, FOR APPLICATIONS INVOLVING VIBRATION AND/OR THERMAL CYCLING, MOLEX STRONGLY RECOMMENDS THE USE OF NYE LUBRICANT (NYOGEL 760G) ON THE MATING SURFACES OF THE TERMINAL. REFER TO AS-42815-001.
  - THIS PART CONFORMS TO CLASS B REQUIREMENTS OF COSMETIC SPEC PS-45499-002.



THIS DRAWING CONTAINS INFORMATION THAT IS PROPRIETARY TO MOLEX ELECTRONIC TECHNOLOGIES, LLC AND SHOULD NOT BE USED WITHOUT WRITTEN PERMISSION											
DIMENSION UNITS		SCALE		CURRENT REV DESC: MIGRATED TO ECTR							
MM		3:1									
GENERAL TOLERANCES (UNLESS SPECIFIED)											
		MM		INCH		EC NO: 171562					
4 PLACES		±		±		DRWN: RLALSANGI 2017/10/25					
3 PLACES		±		±		CHK'D: ISHWARG 2018/05/04					
2 PLACES		± 0.25		±		APPR: ISHWARG 2018/05/04					
1 PLACE		± 0.4		±		INITIAL REVISION:					
0 PLACES		±		±		DRWN: COMERCI 2004/09/09					
ANGULAR TOL		± 0.5°		±		APPR: FSMITH 2015/04/01					
DRAFT WHERE APPLICABLE MUST REMAIN WITHIN DIMENSIONS				THIRD ANGLE PROJECTION		DRAWING		SERIES		MATERIAL NUMBER	
						D-SIZE		44540		SEE CHART	
DOCUMENT STATUS				RELEASE DATE		12:38:17		CUSTOMER		SHEET NUMBER	
P1				2018/05/04				GENERAL MARKET		1 OF 1	

**molex**

RIGHT ANGLE HEADER ASSY.  
W/ MFBL AND VOIDS MINI-FIT SR. SERIES

PRODUCT CUSTOMER DRAWING

DOCUMENT NUMBER: SD-44540-001  
DOC TYPE: PSD  
DOC PART: 001  
REVISION: C1

## X-ON Electronics

Largest Supplier of Electrical and Electronic Components

*Click to view similar products for [Headers & Wire Housings](#) category:*

*Click to view products by [Molex](#) manufacturer:*

Other Similar products are found below :

[892-18-020-10-001101](#) [58102-G61-06LF](#) [582553-1](#) [0009485154](#) [009176003701906](#) [0050291907](#) [LY20-4P-DT1-P1E-BR](#) [02.125.8002.8](#)  
[609-3404](#) [61062-3](#) [622-0430](#) [622-3653LF](#) [63453-116](#) [636-1030](#) [636-1427](#) [636-3427](#) [636-4007](#) [641938-9](#) [641991-4](#) [644827-2](#) [65817-010LF](#)  
[65817-015LF](#) [65863-015LF](#) [66207-023LF](#) [67095-007LF](#) [67601157](#) [68648-049](#) [70.362.1628.0](#) [70-4210](#) [70-4226B](#) [70-4853B](#) [707-5020](#) [707-](#)  
[5028](#) [71.350.2428.0](#) [71918-208LF](#) [71961-016LF](#) [733-134](#) [733-162](#) [754199-000](#) [760-3052](#) [787-8014-00](#) [79531-3000](#) [FCN-360C032-B](#) [FCN-](#)  
[367T-T012/H](#) [FCN-723D010/2](#) [80.063.4001.1](#) [800-90-001-10-001000](#) [800-90-010-10-002000](#) [801-43-002-10-013000](#) [801-43-006-10-002000](#)