

**PLEASE CHECK WWW.MOLEX.COM FOR LATEST PART INFORMATION**

**Part Number:** [0446610021](#)  
**Status:** **Active**  
**Overview:** Magnetic and Modular Jacks/Plugs  
**Description:** Modular Jack, Right-Angle, Low Profile, Shielded, 8/8

**Documents:**

<a href="#">3D Model</a>	<a href="#">Packaging Specification PK-44661-004-000 (PDF)</a>
<a href="#">Drawing (PDF)</a>	<a href="#">Test Summary TS-44560-003-001 (PDF)</a>
<a href="#">3D Model (PDF)</a>	<a href="#">RoHS Certificate of Compliance (PDF)</a>
<a href="#">Product Specification PS-44560-003-001 (PDF)</a>	

**Agency Certification**

CSA	LR19980
UL	E107635

**General**

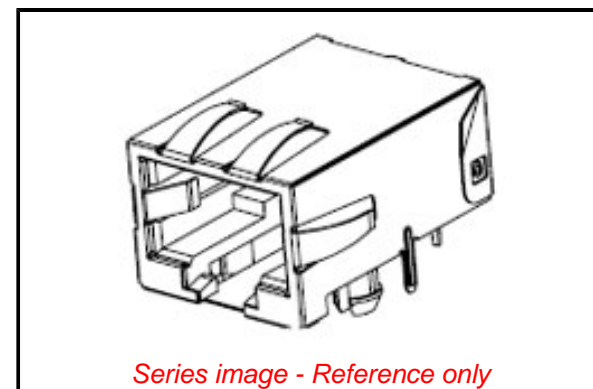
Product Family	Modular Jacks/Plugs
Series	<a href="#">44661</a>
Comments	Bezel Shield
Component Type	PCB Jack
Magnetic	No
Overview	<u>Magnetic and Modular Jacks/Plugs</u>
Performance Category	5, 5e
Power over Ethernet (PoE)	N/A
Product Name	Modular Jack 8/8, RJ45
UPC	800756545530

**Physical**

Color - Resin	Black
Durability (mating cycles max)	750
Flammability	94V-0
Inverted / Top Latch	No
Jack Height	11.23mm
Lightpipes/LEDs	None
Material - Metal	Brass, Phosphor Bronze
Material - Plating Mating	Gold
Material - Plating Termination	Tin
Material - Resin	High Temperature Thermoplastic
Net Weight	3.500/g
Orientation	Right Angle (Side Entry)
PCB Retention	Yes
PCB Thickness - Recommended	1.60mm
Packaging Type	Tray
Pitch - Mating Interface	1.02mm
Pitch - Termination Interface	1.27mm
Plating min - Mating	1.270µm
Plating min - Termination	2.540µm
Port Configuration	1x1
Positions / Loaded Contacts	8/8
Surface Mount Compatible (SMC)	Yes
Temperature Range - Operating	-40° to +85°C
Termination Interface: Style	Through Hole
Wire/Cable Type	N/A

**Electrical**

Current - Maximum per Contact	1.5A
Grounding to Panel	Bezel Ground Tabs



*Series image - Reference only*

**EU ELV**

**Not Relevant**

**EU RoHS**

**Compliant**

**REACH SVHC**

Contained Per -  
D(2021)4569-DC (8  
July 2021)  
reaction mass of  
2-ethylhexyl 10-  
ethyl-4,4-dioct  
Perfluorononan-1-  
oic acid  
(2,2,3,3,4,4,5,5,6,6,7  
Diocetyl tin dilaurate,  
stannane, dioctyl-,  
bis(co  
Pyrene  
Boric acid  
n-pentyl-  
isopentylphthalate  
1,2-  
Benzenedicarboxylic  
acid, dipentyl ester, br  
diisohexyl phthalate  
Dibutylbis(pentane-2,4-  
dionato-O,O')tin  
2-ethylhexyl 10-  
ethyl-4,4-dioctyl-7-  
oxo-8-oxa-3,  
Disodium-octaborate  
C.I. Direct Black 38  
Dibutyltin-dichloride  
1,2-diethoxyethane  
Dodecamethylcyclohexasiloxane  
Octanoic acid,  
2,2,3,3,4,4,5,5,6,6,7,7,8,8,8-  
pen  
Benzo(ghi)perylene  
Dipentyl phthalate  
Imidazolidine-2-thione  
Dihexyl-phthalate  
Fatty Acids, C16-18,  
Lead Salts

**China RoHS**

Shielded Yes  
Voltage - Maximum 150V

#### Solder Process Data

Duration at Max. Process Temperature (seconds) 005  
Lead-free Process Capability WAVE  
Max. Cycles at Max. Process Temperature 001  
Process Temperature max. C 260

#### Material Info

#### Reference - Drawing Numbers

Packaging Specification PK-44661-004-000  
Product Specification PS-44560-003-001  
Sales Drawing SD-44661-001-001  
Test Summary TS-44560-003-001

Silicic acid (H<sub>2</sub>Si<sub>2</sub>O<sub>5</sub>),  
barium salt (1:1),  
lead-  
Sulfurous Acid, Lead  
Salt, Dibasic  
Cyanamide, lead(2+)  
salt (1:1)  
Tetralead-trioxide-  
sulphate  
pyrochlore, antimony  
lead yellow  
Cadmium  
Lead  
Cadmium-sulphide  
Cadmium-oxide  
Decabromodiphenylether  
1,2-bis(2-  
methoxyethoxy)ethane  
1,2-Dimethoxyethane  
1,2-  
Benzenedicarboxylic  
acid, bis(2-  
methoxyethyl  
Pentazinc-chromate-  
octahydroxide  
Potassium  
hydroxyoctaoxidizincatedichromate  
bis(2-methoxyethyl)  
ether  
Strontium-chromate  
Boric acid, disodium  
salt, hydrate  
Tris(2-chloroethyl)  
phosphate  
Lead sulfochromate  
yellow

#### Halogen-Free Status

**Not Low-Halogen**

For more information, please visit [Contact US](#)

China ROHS	Green Image
ELV	Not Relevant
RoHS Phthalates	Not Contained

#### Search Parts in this Series

[44661](#) Series

#### Mates With

FCC 68 Plugs

This document was generated on 08/27/2021

**PLEASE CHECK WWW.MOLEX.COM FOR LATEST PART INFORMATION**

## X-ON Electronics

Largest Supplier of Electrical and Electronic Components

*Click to view similar products for [Modular Connectors / Ethernet Connectors](#) category:*

*Click to view products by [Molex](#) manufacturer:*

Other Similar products are found below :

[8949-H88/06BLKA/SN](#) [74441-0010/BKN](#) [MP1010RX-1000](#) [MP44RX-1000](#) [PHP-6P6C-5](#) [GAX-3-66](#) [GAX-8-62](#) [GDCX-PA-66-50](#) [GDCX-PN-64](#) [GDCX-PN-66](#) [GDCX-PN-66-50](#) [GDLX-A-66](#) [GDLX-N-66](#) [GDLX-S-66](#) [GDLX-S-88K](#) [GDTX-S-88-50](#) [GDX-PA-1010](#) [GLX-N-1010M-BLK](#) [GLX-S-88M-BLK](#) [GMX-N-1010](#) [GMX-S-1010](#) [GMX-S-66](#) [GMX-SMT4-N-88](#) [GPX-2-64](#) [GSGX-N-2-88](#) [GSGX-N-4-88](#) [GSX-NS2-88-3.05](#) [GSX-NS2-88-3.05-50](#) [GSX-NS-88-3.05-50](#) [PT-108A-8C-UL](#) [PT-J951-8C](#) [PTS-J531-8CS-50UL](#) [1-1775629-2](#) [A-2014-0-4](#) [GWLX-S-88-GR](#) [GWLX-S9-88-YG](#) [DC-1021-8-WH-6](#) [1300530003](#) [1324640-4](#) [RJ11FTVC2G](#) [RJ11FTVC2N](#) [RJFTVX2SA1G](#) [132764-001](#) [1413235](#) [MP88X-1000](#) [MPS88RX-5000](#) [E5288-S000K3-L](#) [E5908-15A242-L](#) [155302-001](#) [AX100653](#)