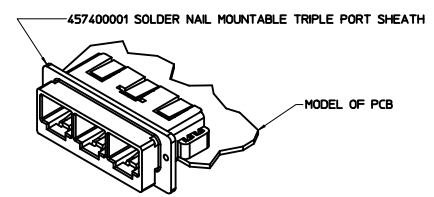


DETAIL Z
SCALE 14:1

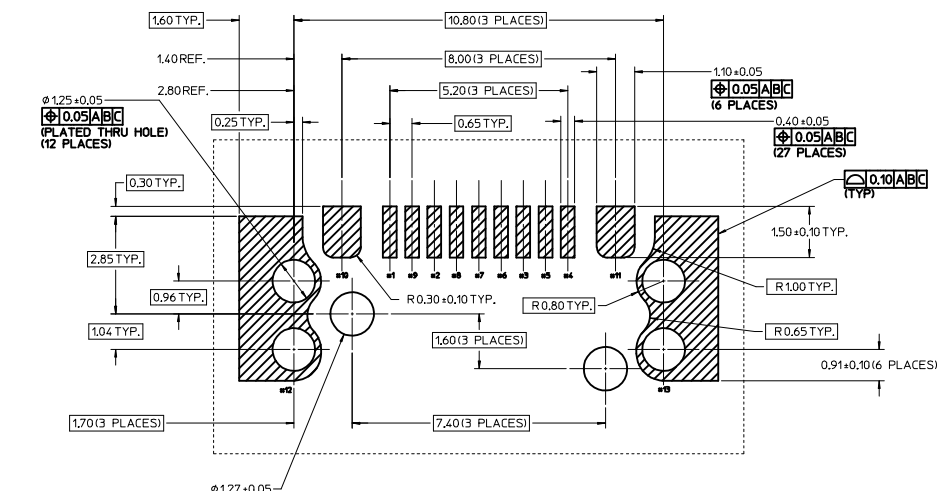
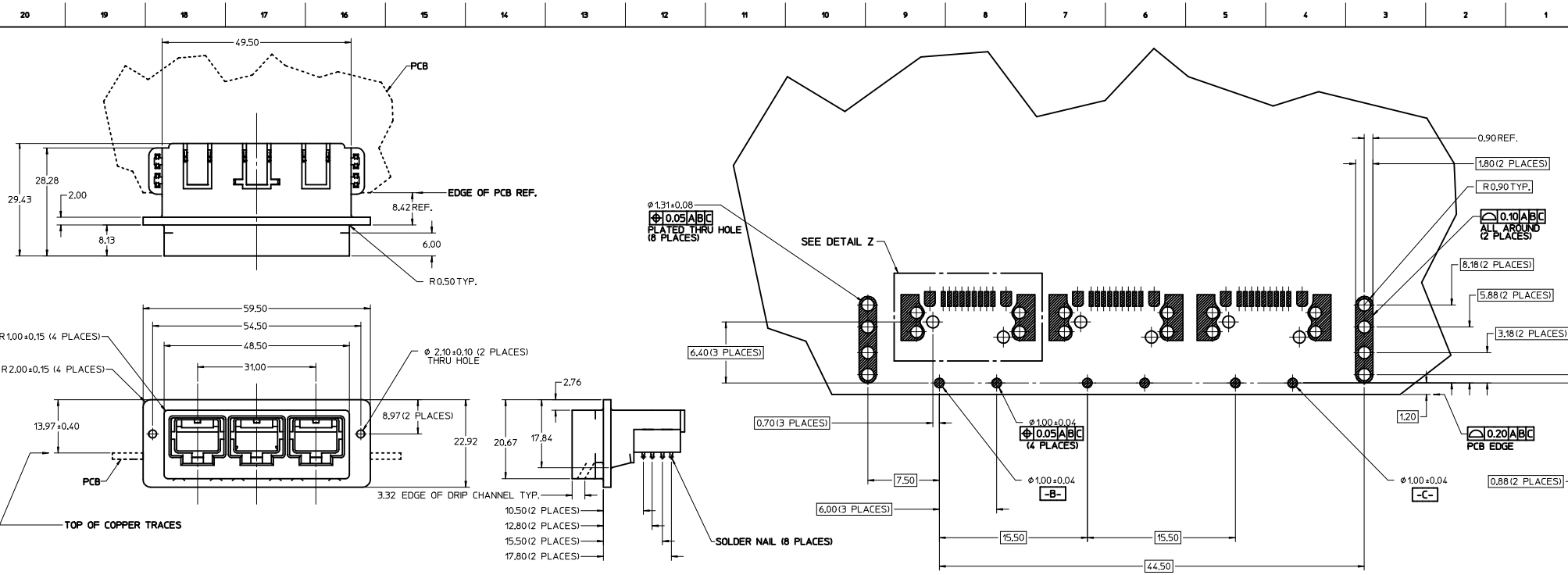
PCB LAYOUT -- USING THE BILINGUAL FOOT PRINT
(SCALE 5:1)
(NOTE: DATUM -A- IS THE TOP SURFACES OF THE COPPER TRACES)
(NOTE: THE SOLDERABLE SURFACES ARE HATCHED)

- NOTES:
1. MATERIAL
MOLDING: GLASS FILLED LCP, COLOR = BLACK.
SOLDER NAILS: COPPER ALLOY.
 2. FINISHES
MOLDING: NONE
SOLDER NAILS: TIN OVER NICKEL PLATING
 3. PRODUCT SPECIFICATION: PS-45240-001
 4. PACKAGING: PK-45740-001
 5. UNLESS OTHERWISE SPECIFIED, ALL DIMENSIONS AND FEATURES LOCATED ACROSS A CENTERLINE TO BE SYMMETRIC TO WITHIN 0.25 TOTAL.
 6. THE 1394b SOCKETS ARE TO BE SOLDERED TO THE PCB BEFORE ASSEMBLING THE 457400001 TRIPLE PORT SHEATH.
 7. THREE 1394b SOCKETS MUST BE USED WITH EACH 457400001 TRIPLE PORT SHEATH.
 8. SEE AS-45740-001 FOR ADDITIONAL MOUNTING INSTRUCTIONS.
 9. THE PART CONFORMS TO CLASS 'B' REQUIREMENTS OF COSMETIC SPECIFICATION PS-45499-002.



ISOMETRIC PROJECTION OF 45740-0001 MOUNTED TO PCB
(NOTE THE THREE UNDERLYING 1394b BILINGUAL SOCKETS ARE NOT VISABLE)

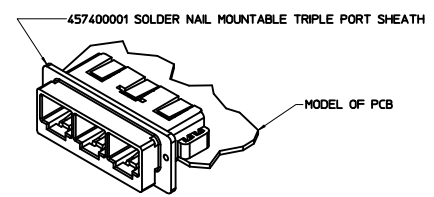
QAL 2828 TO 2943 IEC NO: UCP2007-0876 DRAWN BY: DRWNSCHMIDT CHKD BY: BELL APPROVED BY: SMITH DATE: 2006/12/19 DATE: 2006/12/20	QUALITY SYMBOLS	GENERAL TOLERANCES (UNLESS SPECIFIED)	DIMENSION STYLE	SCALE	DESIGN UNITS	THIRD ANGLE PROJECTION															
	$\nabla=0$ $\nabla=0$	<table border="1"> <tr> <th></th> <th>mm</th> <th>INCH</th> </tr> <tr> <td>4 PLACES ±</td> <td>---</td> <td>---</td> </tr> <tr> <td>3 PLACES ±</td> <td>---</td> <td>---</td> </tr> <tr> <td>2 PLACES ±</td> <td>0.13</td> <td>---</td> </tr> <tr> <td>1 PLACE ±</td> <td>0.25</td> <td>---</td> </tr> </table>		mm	INCH	4 PLACES ±	---	---	3 PLACES ±	---	---	2 PLACES ±	0.13	---	1 PLACE ±	0.25	---	MM ONLY	2:1	METRIC	
		mm	INCH																		
	4 PLACES ±	---	---																		
3 PLACES ±	---	---																			
2 PLACES ±	0.13	---																			
1 PLACE ±	0.25	---																			
DRAFT WHERE APPLICABLE MUST REMAIN WITHIN DIMENSIONS	DRAWN BY: PELOZA CHECKED BY: PELOZA APPROVED BY: COMERCI DATE: 04/01/13 DATE: 04/01/14 DATE: 04/01/13	MATERIAL NO: 457400001	DOCUMENT NO: SD-45740-001	TITLE: SHEATH SOLDER TAIL MOUNT TRIPLE PORT	MOLEX INCORPORATED	SHEET NO: 1 OF 1															
THIS DRAWING CONTAINS INFORMATION THAT IS PROPRIETARY TO MOLEX INCORPORATED AND SHOULD NOT BE USED WITHOUT WRITTEN PERMISSION																					



DETAIL Z
SCALE 14:1

PCB LAYOUT -- USING THE BILINGUAL FOOT PRINT
(SCALE 5:1)
(NOTE: DATUM -A- IS THE TOP SURFACES OF THE COPPER TRACES)
(NOTE: THE SOLDERABLE SURFACES ARE HATCHED)

- NOTES:
1. MATERIAL
MOLDING: GLASS FILLED LCP, COLOR = BLACK.
SOLDER NAILS: COPPER ALLOY.
 2. FINISHES
MOLDING: NONE
SOLDER NAILS: TIN OVER NICKEL PLATING
 3. PRODUCT SPECIFICATION: PS-45240-001
 4. PACKAGING: PK-45740-001
 5. UNLESS OTHERWISE SPECIFIED, ALL DIMENSIONS AND FEATURES LOCATED ACROSS A CENTERLINE TO BE SYMMETRIC TO WITHIN 0.25 TOTAL.
 6. THE 1394b SOCKETS ARE TO BE SOLDERED TO THE PCB BEFORE ASSEMBLING THE 457400001 TRIPLE PORT SHEATH.
 7. THREE 1394b SOCKETS MUST BE USED WITH EACH 457400001 TRIPLE PORT SHEATH.
 8. SEE AS-45740-001 FOR ADDITIONAL MOUNTING INSTRUCTIONS.
 9. THE PART CONFORMS TO CLASS 'B' REQUIREMENTS OF COSMETIC SPECIFICATION PS-45499-002.



ISOMETRIC PROJECTION OF 45740-0001 MOUNTED TO PCB
(NOTE THE THREE UNDERLYING 1394b BILINGUAL SOCKETS ARE NOT VISABLE)

QAL 2828 TO 2943 IEC NO: UCP2007-0876 DRAWN BY: DRWNSCHMIDT CHKD BY: BELL APPR: SMITH DATE: 2006/12/19 DATE: 2006/12/20	QUALITY SYMBOLS	GENERAL TOLERANCES (UNLESS SPECIFIED)	DIMENSION STYLE	SCALE	DESIGN UNITS	THIRD ANGLE PROJECTION															
	$\nabla=0$ $\nabla=0$	<table border="1"> <tr> <th></th> <th>mm</th> <th>INCH</th> </tr> <tr> <td>4 PLACES ±</td> <td>---</td> <td>---</td> </tr> <tr> <td>3 PLACES ±</td> <td>---</td> <td>---</td> </tr> <tr> <td>2 PLACES ±</td> <td>0.13</td> <td>---</td> </tr> <tr> <td>1 PLACE ±</td> <td>0.25</td> <td>---</td> </tr> </table>		mm	INCH	4 PLACES ±	---	---	3 PLACES ±	---	---	2 PLACES ±	0.13	---	1 PLACE ±	0.25	---	MM ONLY	2:1	METRIC	
		mm	INCH																		
	4 PLACES ±	---	---																		
3 PLACES ±	---	---																			
2 PLACES ±	0.13	---																			
1 PLACE ±	0.25	---																			
DRAFT WHERE APPLICABLE MUST REMAIN WITHIN DIMENSIONS	DRAWN BY: PELOZA CHECKED BY: PELOZA APPROVED BY: COMERCI DATE: 04/01/13 DATE: 04/01/14 DATE: 04/01/13	MATERIAL NO: 457400001	DOCUMENT NO: SD-45740-001	TITLE: SHEATH SOLDER TAIL MOUNT TRIPLE PORT	MOLEX INCORPORATED	SHEET NO: 1 OF 1															
THIS DRAWING CONTAINS INFORMATION THAT IS PROPRIETARY TO MOLEX INCORPORATED AND SHOULD NOT BE USED WITHOUT WRITTEN PERMISSION																					

X-ON Electronics

Largest Supplier of Electrical and Electronic Components

Click to view similar products for [IEEE 1394 Connectors](#) category:

Click to view products by [MOLEX](#) manufacturer:

Other Similar products are found below :

[EHFF2](#) [EHFF2B](#) [EHFWX2BX](#) [3E106-2220KV](#) [3E106-2230KV](#) [53460-0619](#) [3E106-0220KV](#) [3E206-0100KV](#) [1734290-2](#) [53460-0629](#)
[53462-0629](#) [NA1394-6-W](#) [5788516-1](#) [3E106-1230 KV](#) [3E306-3200-008](#) [FWF21NSCC](#) [FWFODE](#) [FWFTV22G](#) [FWFTVC2G](#) [FWFTVC2N](#)
[JE18](#) [PX0419](#) [PX0847](#) [693-006-699-003](#) [928](#) [929](#) [930](#) [45740-0001](#) [53460-0639](#) [53462-0001](#) [53984-0681](#) [NA1394-6-W-B](#) [EHFW800X2](#)
[EHFW800X2B](#) [EHFW800X2PKG](#) [1734290-1](#) [5787956-1](#)