

| PART NUMBER | CKT. SIZE | #OF PARTS PER BAG | BAGS PER CARTON | DU |
|-------------|------------------|-------------------|-----------------|-----|
| 45776-*004 | 4 | 750 | 1 | 750 |
| 45776-*006 | 6 | 700 | 1 | 700 |
| 45776-*008 | 8 | 700 | 1 | 700 |
| 45776-*010 | 10 | 650 | 1 | 650 |
| 45776-*012 | 12 | 600 | 1 | 600 |
| 45776-*014 | 14 | 520 | 1 | 520 |
| 45776-*016 | $\triangle 3$ 16 | 400 | 1 | 400 |
| 45776-*018 | $\triangle 3$ 18 | 400 | 1 | 400 |

* INDICATES ANY NUMBER

- NOTE:
1. THE CARTONS ARE SEALED WITH 2" WIDE TAPE AS PER ES-40000-7013. STAPLING OF THE BOTTOM OF THE CARTON IS ACCEPTABLE.
 2. PARTS TO BE MOISTURIZED PER AS-45499-001, 45776-40XX PART NUMBERS TO USE BAG AND PAD PER METHOD.
 3. [\triangle] INDICATES PACKAGING USED IN KOREA FOR 16 & 18 CKT PARTS.
 4. USE PRESCRIBED BOX AND LINER BAG. BAG MUST BE SEALED WITH TWIST LOCK 313017300, TWIST TIE OR EQUIVALENT.

LINER BAG PER
31300-8790
[35907-0010] $\triangle 3$
PER ES-40000-7011

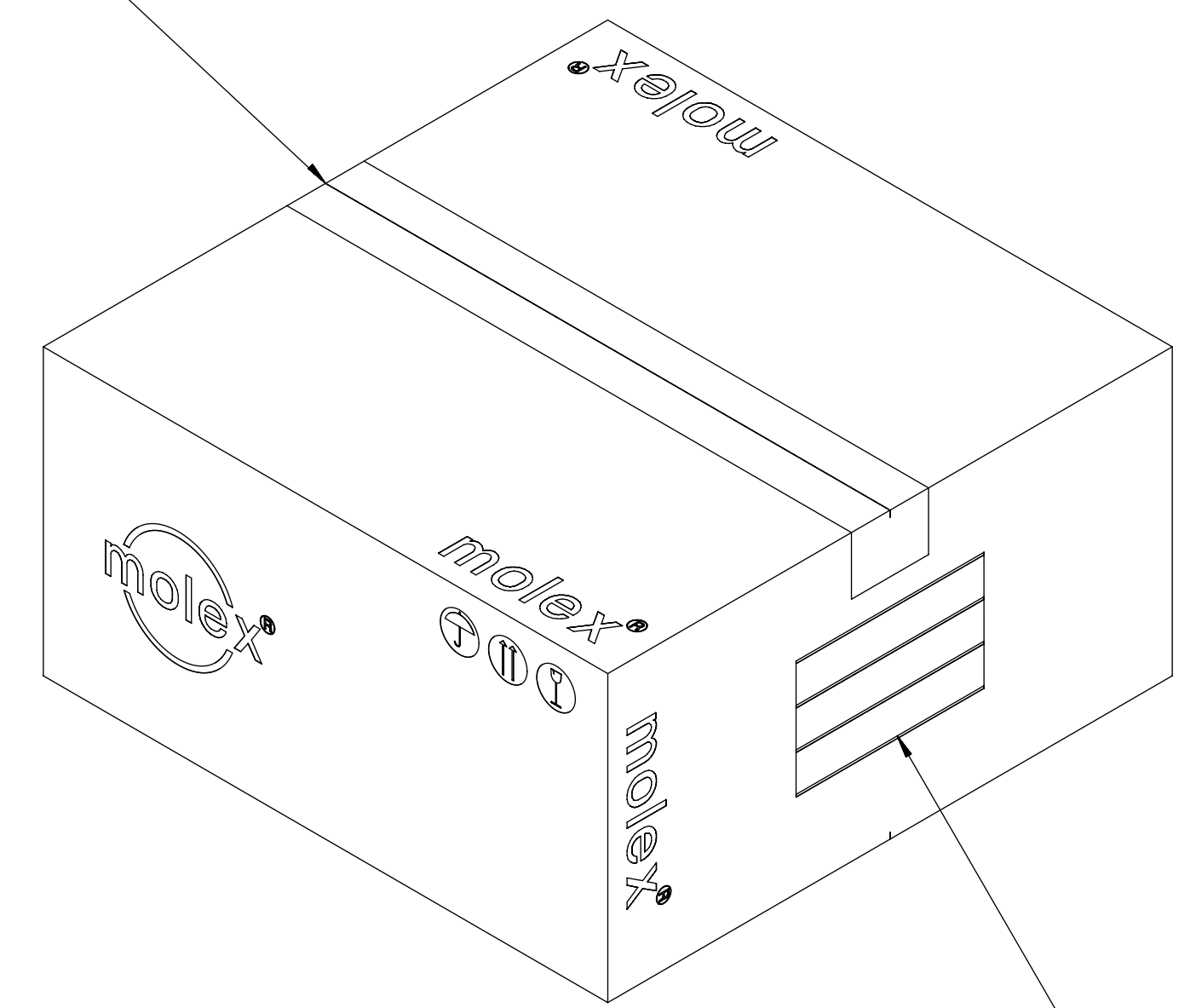
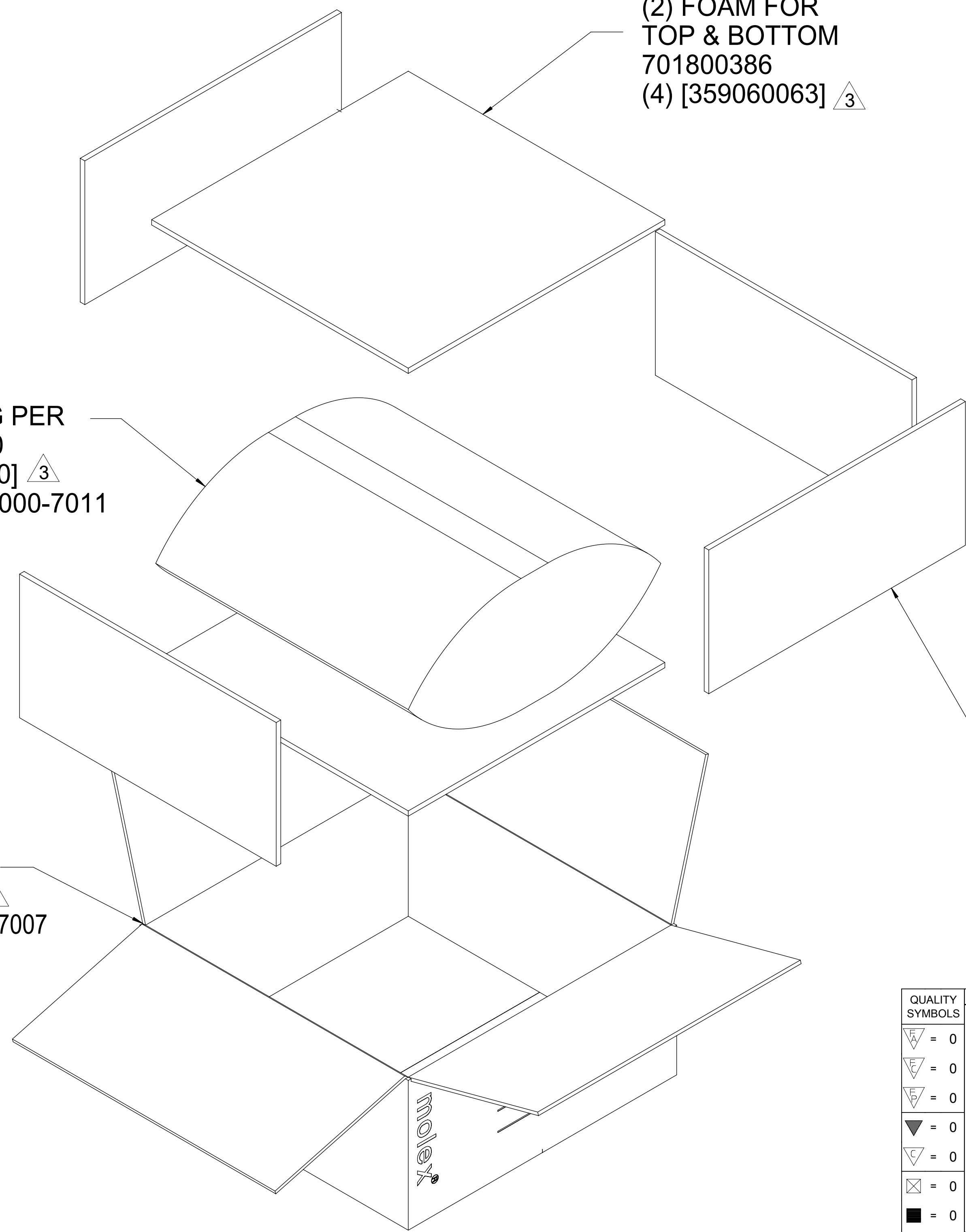
CARTON
96707-0014
[35909-0082] $\triangle 3$
PER ES-40000-7007

(2) FOAM FOR
TOP & BOTTOM
701800386
(4) [359060063] $\triangle 3$

(4) FOAM FOR SIDES
85044615
OR (2) 701800386
CUT IN HALF
(4) [359060063] $\triangle 3$

ADHESIVE TAPE PER
ES-40000-7013

MOLEX SHIPPING LABEL PER
ES-40000-7012



| QUALITY SYMBOLS | THIS DRAWING CONTAINS INFORMATION THAT IS PROPRIETARY TO MOLEX ELECTRONIC TECHNOLOGIES, LLC AND SHOULD NOT BE USED WITHOUT WRITTEN PERMISSION | | DIMENSION UNITS | | SCALE | molex® | | | |
|-----------------|---|--|-----------------|--------|------------------------|--|---|--|----------|
| $\nabla = 0$ | UPDATE NOTE 2 EC NO. 167997 DRWN: AZAHROVIC CHKD: J.BELL REV / APPR: FSMITH | GENERAL TOLERANCES (UNLESS SPECIFIED) | | mm | 1:1 | PACKAGING SPEC. FOR 45776 FOAM-IN-PLACE PLUG MINI-FIT JR. SERIES | | | |
| $\nabla = 0$ | | 4 PLACES \pm \pm | MM | INCH | DRWN BY | | | | DATE |
| $\nabla = 0$ | | 3 PLACES \pm \pm | | | AZBOROWSKI | | | | 07/13/06 |
| $\nabla = 0$ | | 2 PLACES \pm \pm | | | CHK'D BY | DATE | PACKAGING DESIGN DRAWING SERIES: 45776 MATERIAL NUMBER: SEE CHART CUSTOMER: GENERAL MARKET | | |
| $\nabla = 0$ | | 1 PLACES \pm \pm | | | GPOLGAR | 07/14/06 | | | |
| $\nabla = 0$ | | 0 PLACES \pm \pm | | | APPR BY | DATE | | | |
| $\square = 0$ | | ANGULAR TOL \neq 1/2 | | FSMITH | 2010/10/25 | DOCUMENT NUMBER: PK-45776-001 DOC TYPE: PDD DOC PART: 000 SHEET NUMBER: 1 OF 1 | | | |
| $\square = 0$ | | DRAFT WHERE APPLICABLE MUST REMAIN WITHIN DIMENSIONS | | D | THIRD ANGLE PROJECTION | | | | |

X-ON Electronics

Largest Supplier of Electrical and Electronic Components

Click to view similar products for [Headers & Wire Housings](#) category:

Click to view products by [Molex](#) manufacturer:

Other Similar products are found below :

[892-18-020-10-001101](#) [58102-G61-06LF](#) [582553-1](#) [0009485154](#) [009176003701906](#) [0050291907](#) [LY20-4P-DT1-P1E-BR](#) [02.125.8002.8](#)
[609-3404](#) [61062-3](#) [622-0430](#) [622-3653LF](#) [63453-116](#) [636-1030](#) [636-1427](#) [636-3427](#) [636-4007](#) [641938-9](#) [641991-4](#) [644827-2](#) [65817-010LF](#)
[65817-015LF](#) [65863-015LF](#) [66207-023LF](#) [67095-007LF](#) [67601157](#) [68648-049](#) [70.362.1628.0](#) [70-4210](#) [70-4226B](#) [70-4853B](#) [707-5020](#) [707-](#)
[5028](#) [71.350.2428.0](#) [71918-208LF](#) [71961-016LF](#) [733-134](#) [733-162](#) [754199-000](#) [760-3052](#) [787-8014-00](#) [79531-3000](#) [FCN-360C032-B](#) [FCN-](#)
[367T-T012/H](#) [FCN-723D010/2](#) [80.063.4001.1](#) [800-90-001-10-001000](#) [800-90-010-10-002000](#) [801-43-002-10-013000](#) [801-43-006-10-002000](#)