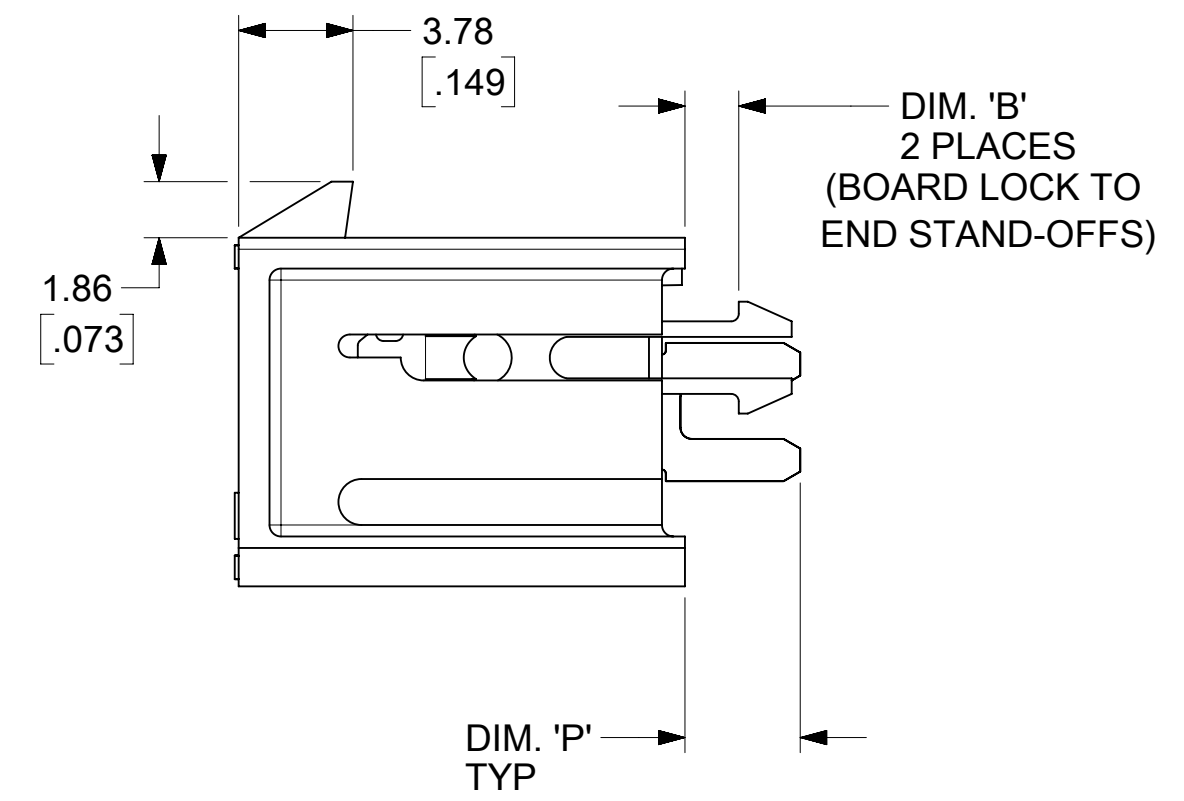
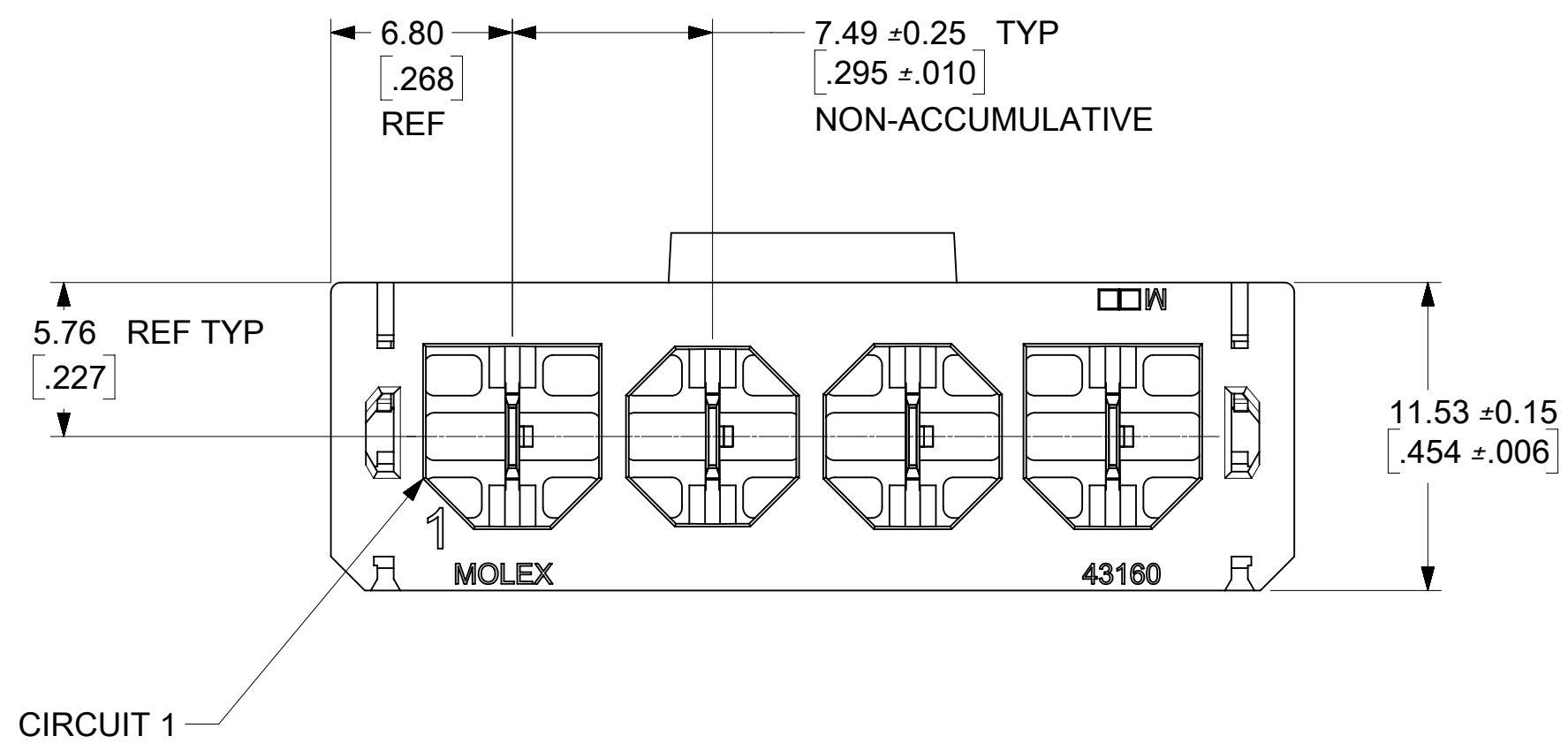
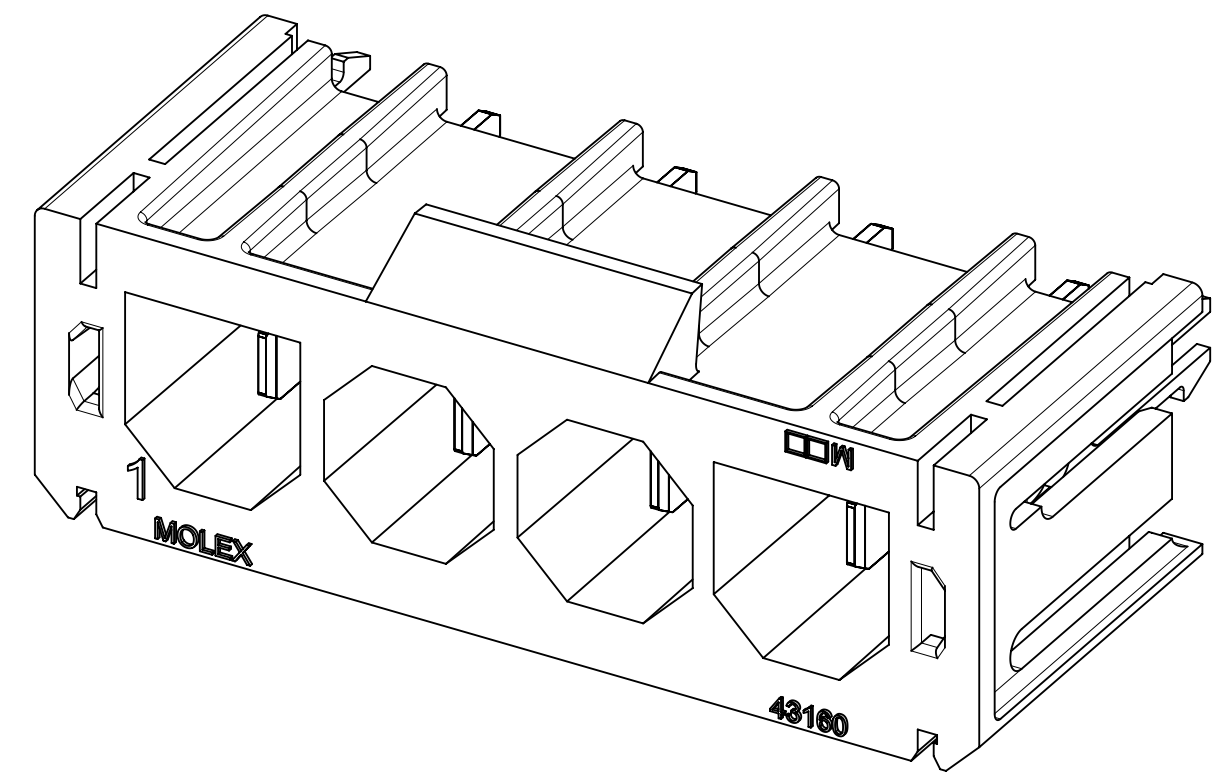
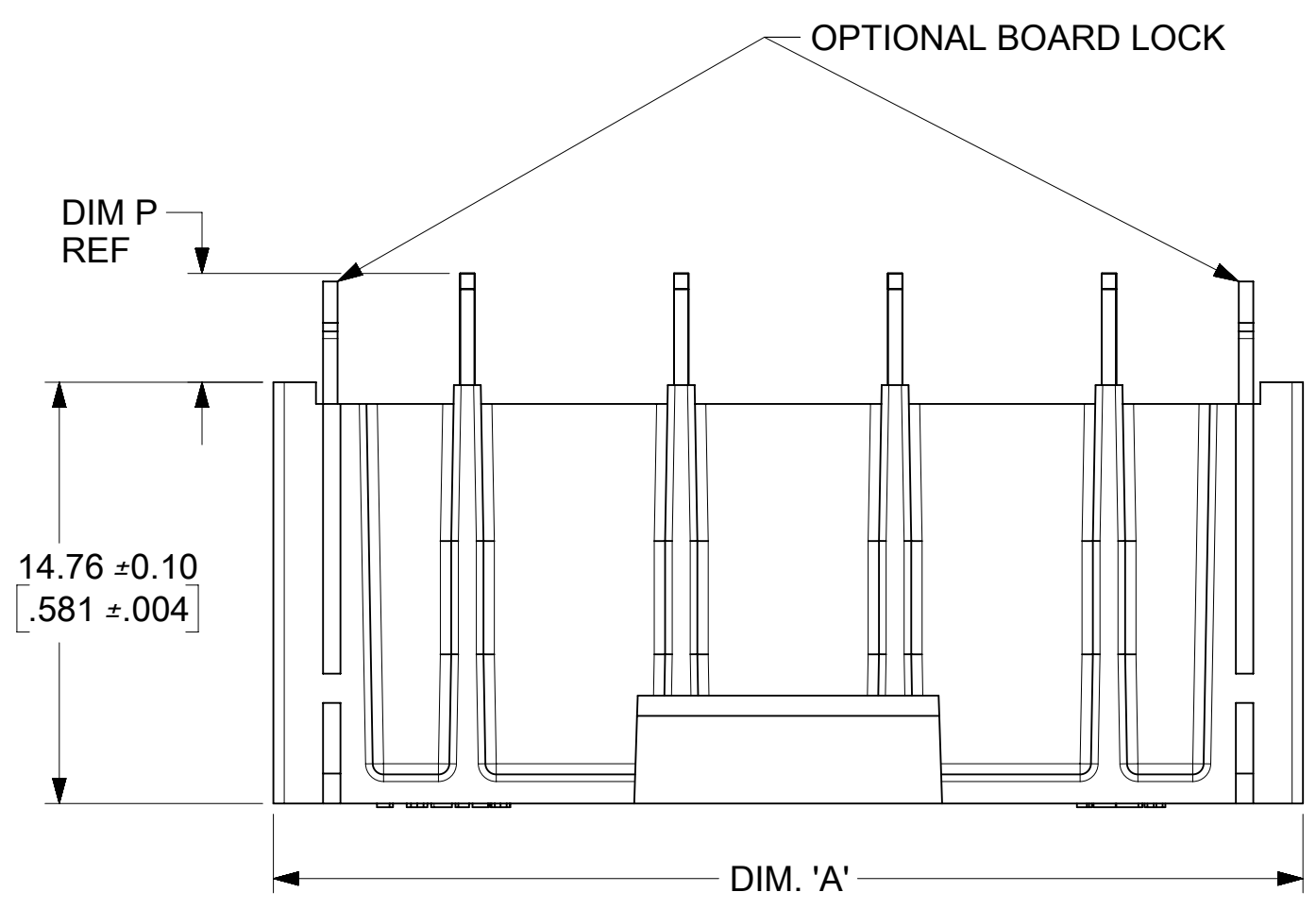


CIRCUITS	DIM. 'A' ± $\frac{0.33}{.013}$
2	$\frac{21.08}{.830}$
3	$\frac{28.58}{1.125}$
4	$\frac{36.07}{1.420}$
5	$\frac{43.56}{1.715}$
6	$\frac{51.05}{2.010}$
8	$\frac{66.04}{2.600}$



- INSULATOR MATERIAL: 30% GLASS FILLED 4/6 NYLON UL94V-0, COLOR: BLACK  
TERMINAL MATERIAL : BRASS
- TERMINAL FINISH: OVERALL REFLOWED MATTE TIN: 0.00152/.000060 MIN OVER 0.00127/.000050 MIN NICKEL.
- PRODUCT SPECIFICATION PS-44441-9999.
- PACKAGING: SEE CHART
- THIS HEADER MATES WITH 44441 OR 43335 SERIES RECEPTACLE HOUSINGS.
- HEADERS INDICATED AS "FINGER-PROOF" ARE DESIGNED TO MINIMIZE ACCESSIBILITY TO LIVE PARTS, PER UL1977 AND UL60950 (FORMERLY UL1950) FINGER PROBE REQUIREMENTS.
- THIS PART CONFORMS TO CLASS B REQUIREMENTS OF MOLEX COSMETIC SPECIFICATION PS-45499-002
- PARTS LISTED ON THIS DRAWING ARE CONSTRUCTED TO MEET THE REQUIREMENTS FOR DIRECT SUPPORT OF UNINSULATED LIVE PARTS AS DESCRIBED IN UL508C.
- TEXT ON PART IS FOR REFERENCE ONLY. TEXT AND TEXT LOCATION MAY VARY DEPENDING ON PART NUMBER AND/OR TOOL.
- PART DESIGNED IN INCHES.

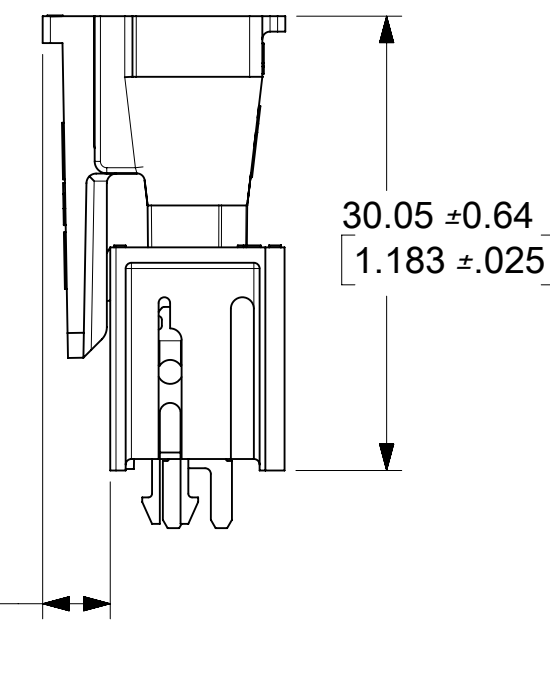
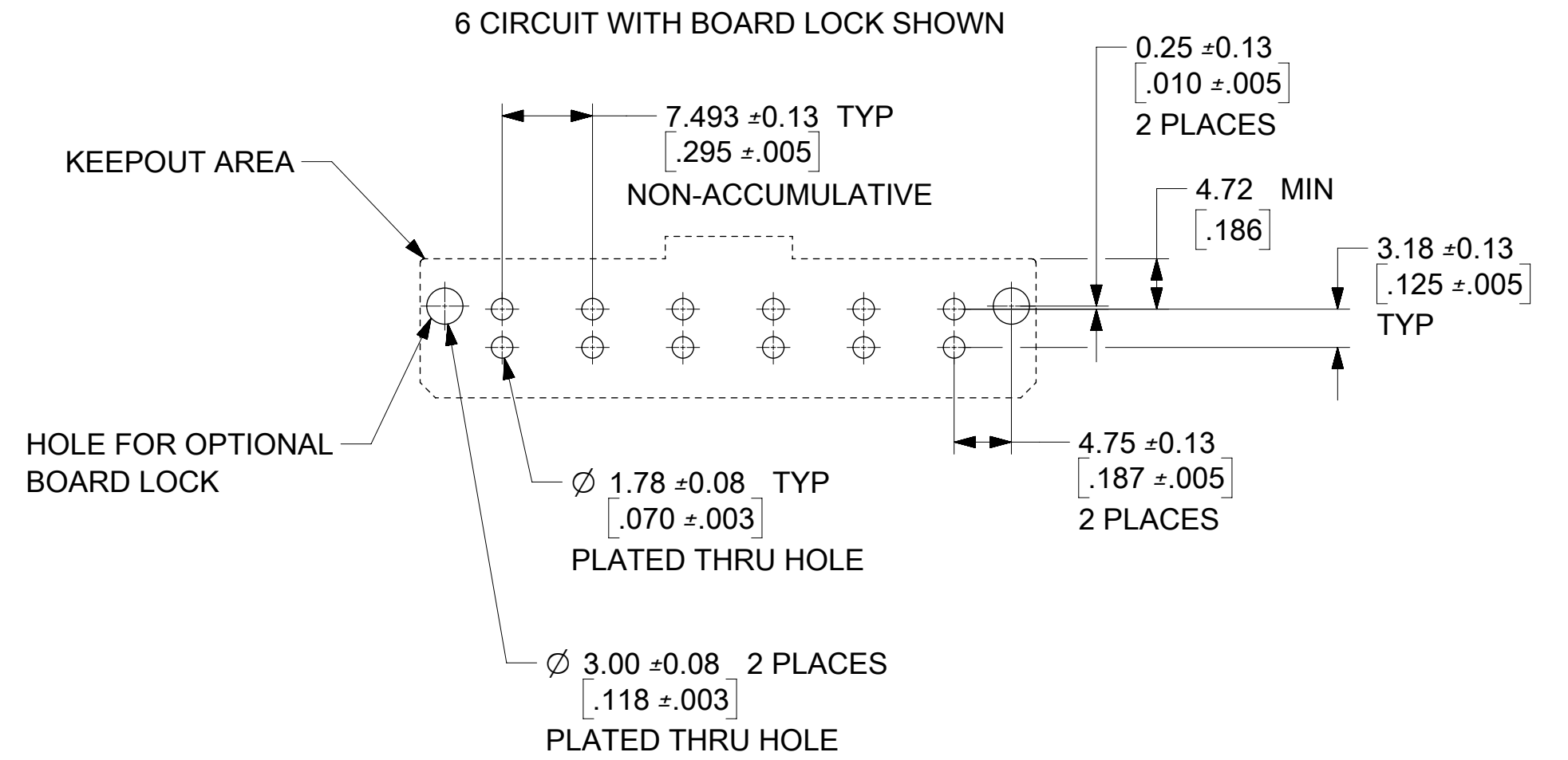
SHEETS 1 AND 2: VERTICAL HEADERS  
SHEETS 3 AND 4: RIGHT ANGLE HEADERS  
SHEET 5: POLARIZATION

SYMBOLS		THIS DRAWING CONTAINS INFORMATION THAT IS PROPRIETARY TO MOLEX ELECTRONIC TECHNOLOGIES, LLC AND SHOULD NOT BE USED WITHOUT WRITTEN PERMISSION	
$\nabla = 0$	IN/MM	SCALE	CURRENT REV DESC: RELEASED
$\nabla = 0$	4 PLACES ±	4:1	
$\nabla = 0$	3 PLACES ±	GENERAL TOLERANCES (UNLESS SPECIFIED)	
$\nabla = 0$	2 PLACES ±	MM	EC NO: 623888
$\nabla = 0$	1 PLACE ±	INCH	DRWN: MKIPPER 2019/09/11
$\nabla = 0$	0 PLACES ±		CHK'D: DSTEIER 2019/09/13
$\nabla = 0$	ANGULAR TOL ± 0.5 °		APPR: FSMITH 2019/09/17
$\nabla = 0$	DRAFT WHERE APPLICABLE MUST REMAIN WITHIN DIMENSIONS	THIRD ANGLE PROJECTION	INITIAL REVISION:
		DRAWING	DRWN: MKIPPER 2019/09/11
		SERIES	APPR: FSMITH 2019/09/17
		C-SIZE	46007
		MATERIAL NUMBER	460070001-SD
		CUSTOMER	GENERAL MARKET
		SHEET NUMBER	1 OF 5

VERTICAL HEADER ASSEMBLIES

ASSEMBLY PART NO.	CIRCUITS	DIM. 'P' ± $\frac{0.51}{.020}$	BOARD LOCK	DIM. 'B' ± $\frac{0.10}{.004}$	PACKAGING SPEC.
46007-0102	2	3.81/(.150) (SHORT TAIL)	NO	N/A	PK-43160-0010
46007-0103	3				
46007-0104	4				
46007-0105	5				
46007-0106	6				
46007-0108	8				
46007-0302	2	5.33/(.210) (LONG TAIL)	NO	N/A	PK-43789-001
46007-0303	3				
46007-0304	4				
46007-0305	5				
46007-0306	6				
46007-0308	8				
46007-2102	2	3.81/(.150) (SHORT TAIL)	YES	1.78/(.070) FOR 1.57/(.062) PCB	PK-43789-001
46007-2103	3				
46007-2104	4				
46007-2105	5				
46007-2106	6				
46007-2108	8				
46007-4102	2	3.81/(.150) (SHORT TAIL)	YES	2.59/(.102) FOR 2.39/(.094) PCB	PK-43789-001
46007-4103	3				
46007-4104	4				
46007-4105	5				
46007-4106	6				
46007-4108	8				
46007-4302	2	5.33/(.210) (LONG TAIL)	YES	2.59/(.102) FOR 2.39/(.094) PCB	PK-43789-001
46007-4303	3				
46007-4304	4				
46007-4305	5				
46007-4306	6				
46007-4308	8				
46007-6302	2	5.33/(.210) (LONG TAIL)	YES	3.38/(.133) FOR 3.18/(.125) PCB	PK-43789-001
46007-6303	3				
46007-6304	4				
46007-6305	5				
46007-6306	6				
46007-6308	8				
ASSEMBLY PART NO.	CIRCUITS	DIM. 'P' ± $\frac{0.51}{.020}$	BOARD LOCK	DIM. 'B' ± $\frac{0.10}{.004}$	PACKAGING SPEC.

RECOMMENDED P.C. BOARD LAYOUT FOR VERTICAL HEADERS



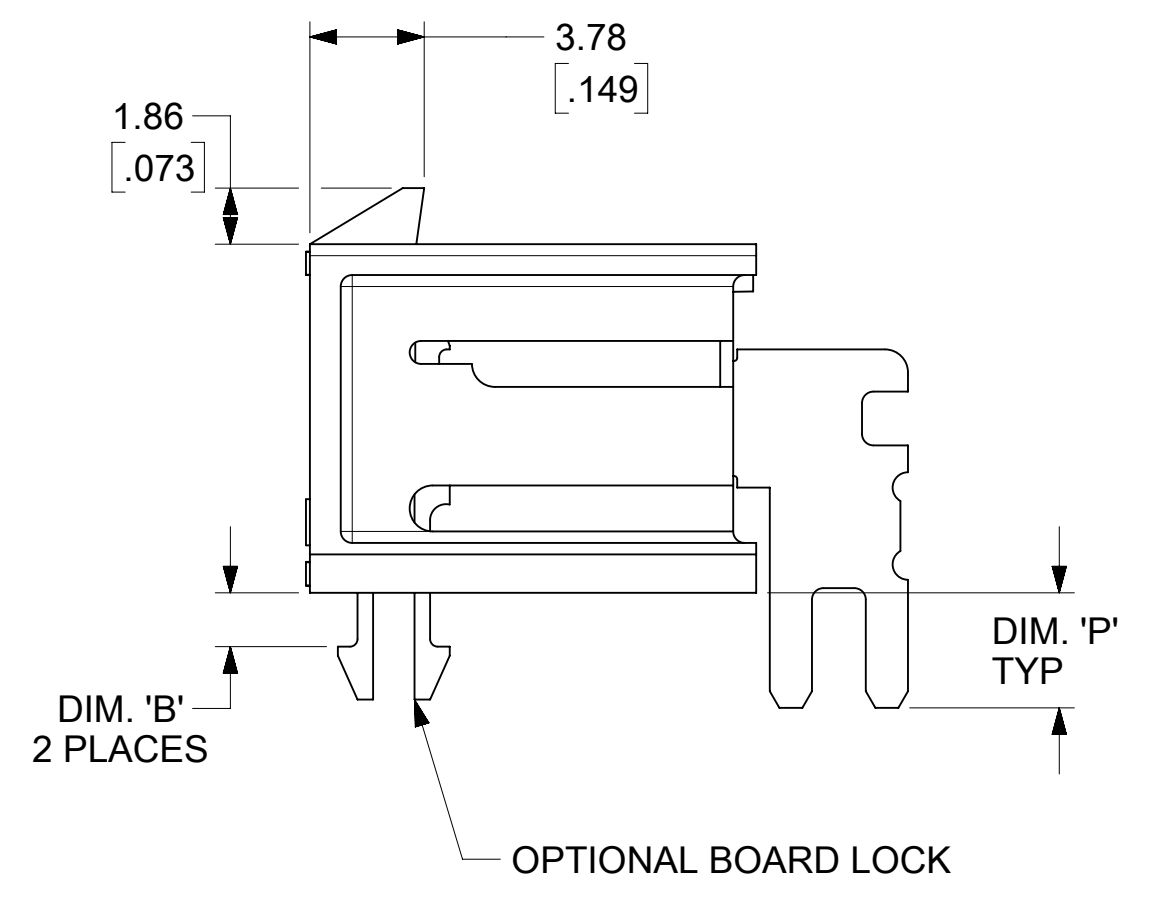
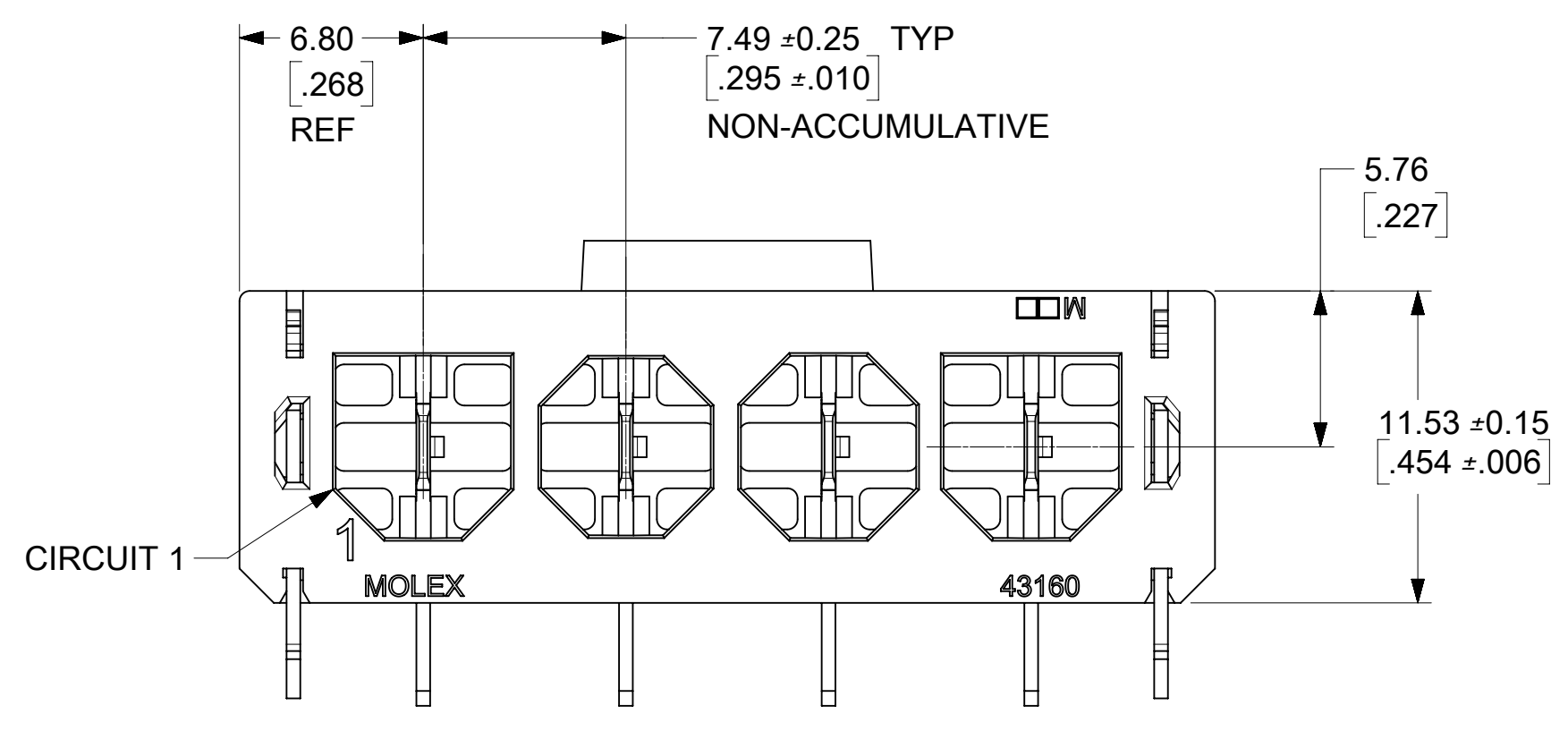
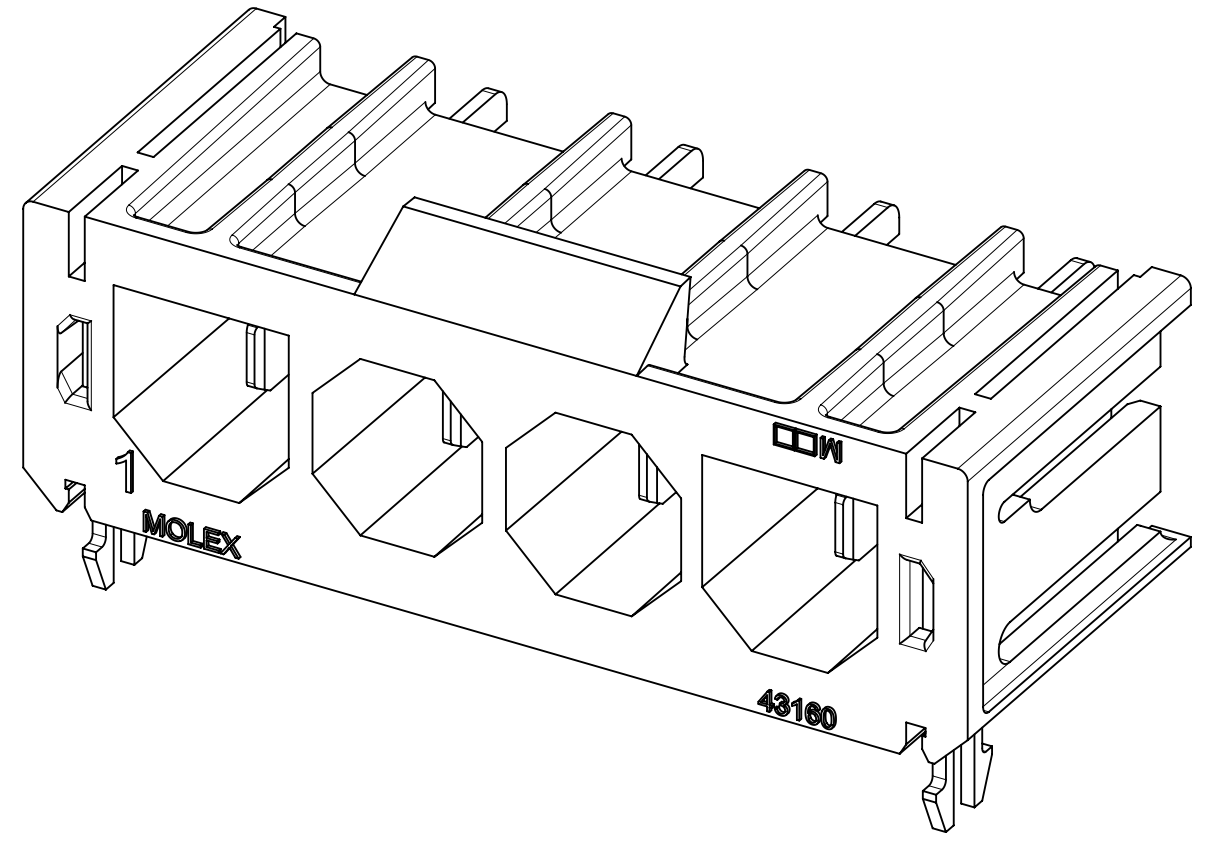
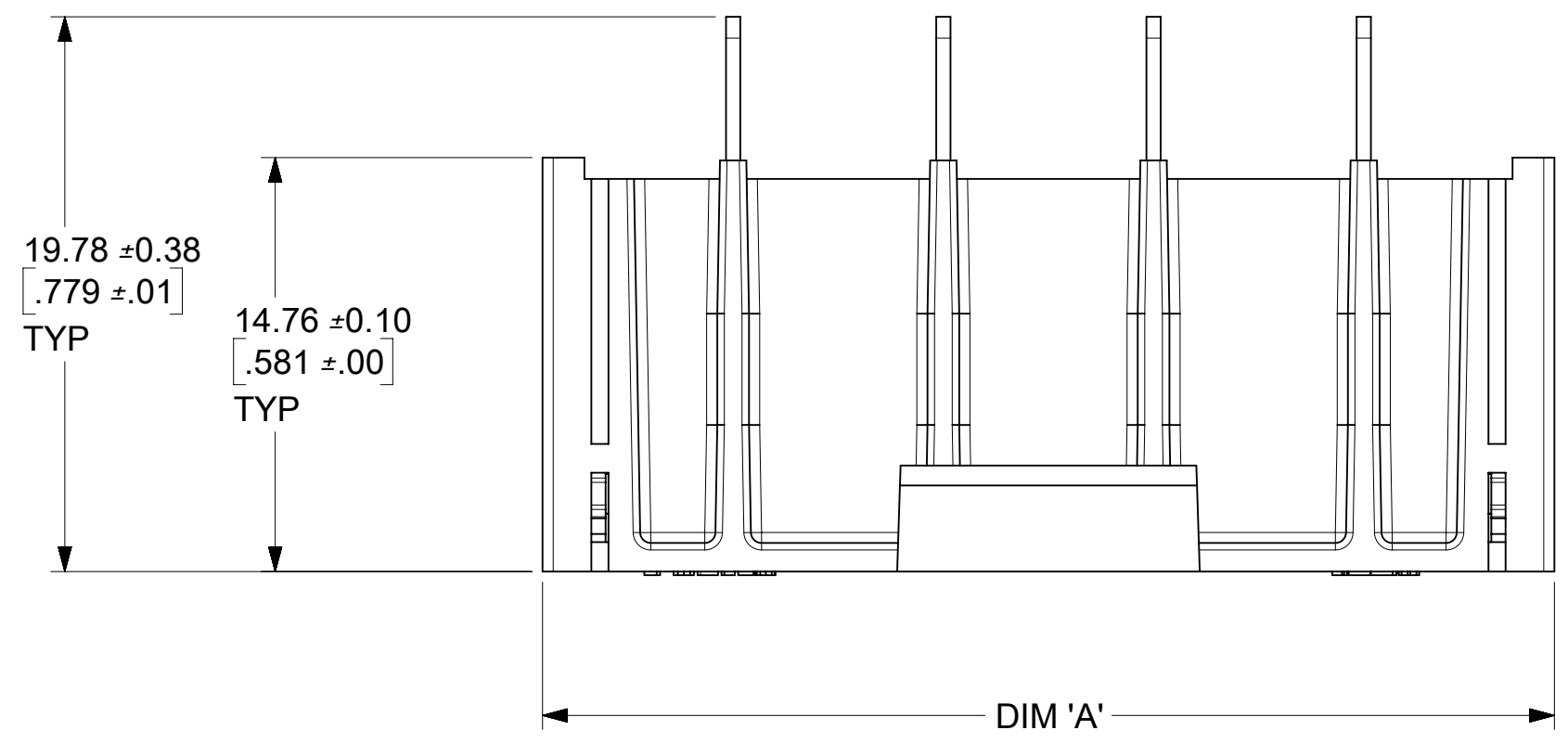
MATED DIMENSIONS VERTICAL HEADERS

THIS DRAWING CONTAINS INFORMATION THAT IS PROPRIETARY TO MOLEX ELECTRONIC TECHNOLOGIES, LLC AND SHOULD NOT BE USED WITHOUT WRITTEN PERMISSION									
SYMBOLS		DIMENSION UNITS		SCALE		CURRENT REV DESC: RELEASED			
▽ = 0	▽ = 0	IN/MM	2:1						
▽ = 0	▽ = 0	GENERAL TOLERANCES (UNLESS SPECIFIED)							
▽ = 0	▽ = 0		MM	INCH					
▽ = 0	▽ = 0	4 PLACES	±	±	EC NO: 623888				
▽ = 0	▽ = 0	3 PLACES	±	± 0.005	DRWN: MKIPPER 2019/09/11				
▽ = 0	▽ = 0	2 PLACES	± 0.13	± 0.01	CHK'D: DSTEIER 2019/09/13				
▽ = 0	▽ = 0	1 PLACE	± 0.25	±	APPR: FSMITH 2019/09/17				
▽ = 0	▽ = 0	0 PLACES	±	±	INITIAL REVISION:				
▽ = 0	▽ = 0	ANGULAR TOL	± 0.5 °		DRWN: MKIPPER 2019/09/11				
▽ = 0	▽ = 0	DRAFT WHERE APPLICABLE MUST REMAIN WITHIN DIMENSIONS		THIRD ANGLE PROJECTION		DRAWING SERIES			
						C-SIZE	46007		

<b>molex</b>			
SABRE HEADER ASSEMBLY FINGER PROOF 2-6 & 8 CIRCUIT .125/(3.18) X .020/(0.51)			
PRODUCT CUSTOMER DRAWING			
DOCUMENT NUMBER		DOC TYPE	DOC PART
460070001-SD		PSD	000
MATERIAL NUMBER		CUSTOMER	SHEET NUMBER
SEE CHARTS		GENERAL MARKET	2 OF 5

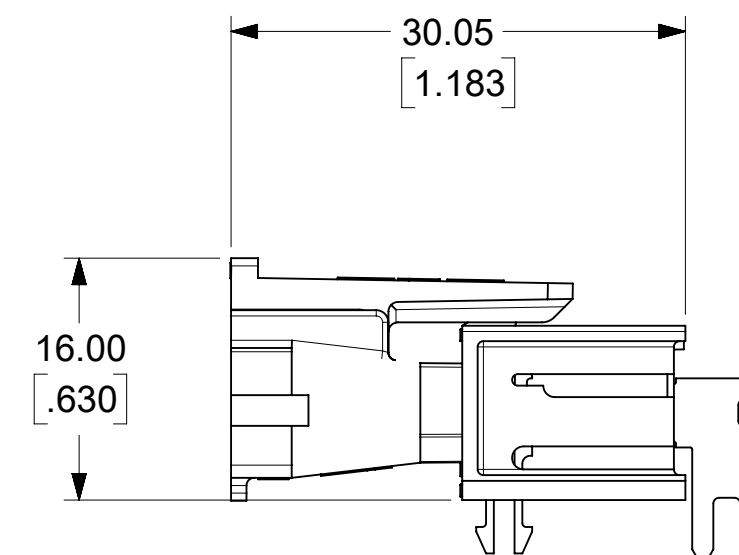
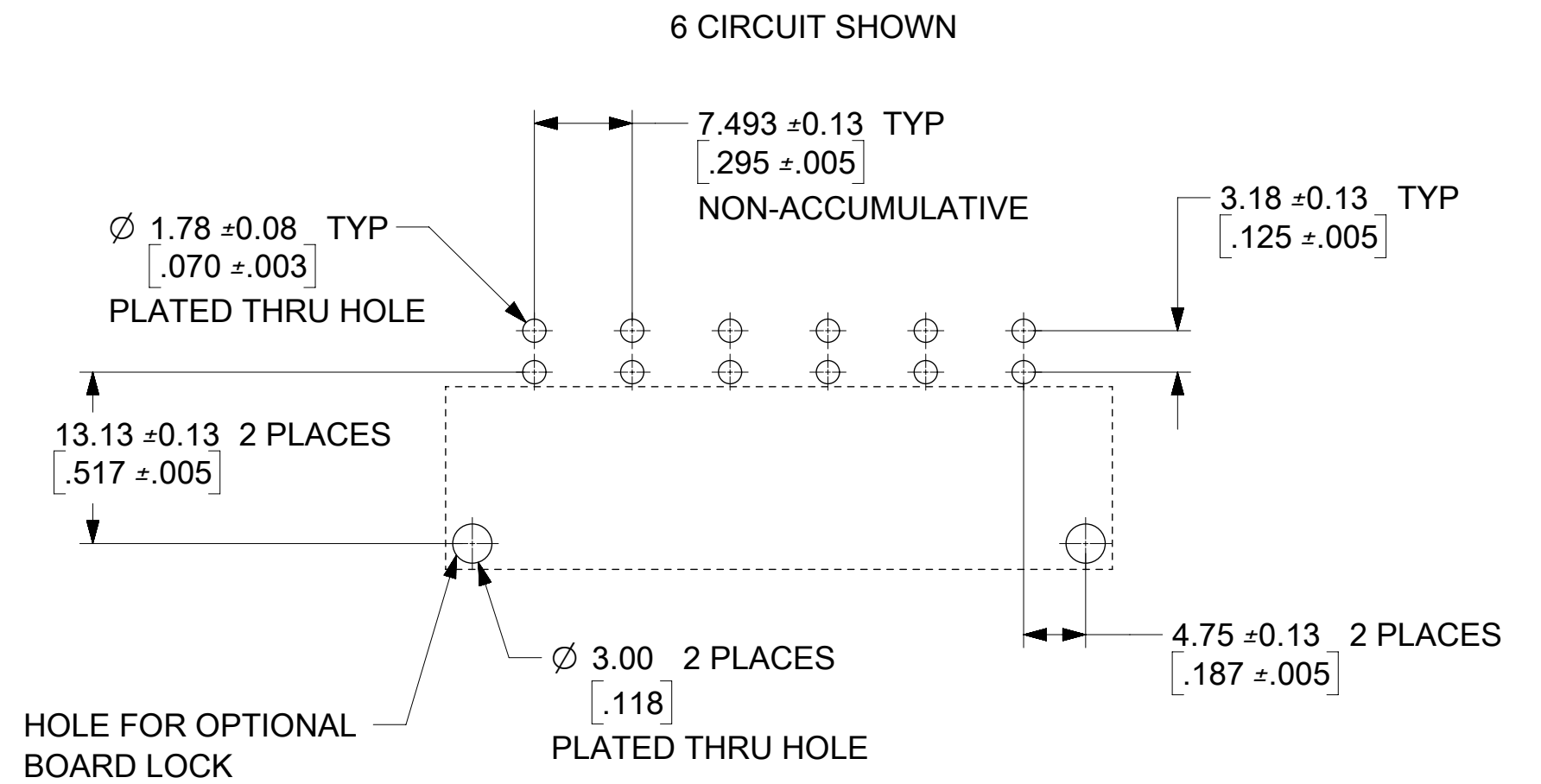
CIRCUITS	DIM. 'A' ±	0.33 .013
2	21.08 .830	
3	28.58 1.125	
4	36.07 1.420	
5	43.56 1.715	
6	51.05 2.010	
8	66.04 2.600	



THIS DRAWING CONTAINS INFORMATION THAT IS PROPRIETARY TO MOLEX ELECTRONIC TECHNOLOGIES, LLC AND SHOULD NOT BE USED WITHOUT WRITTEN PERMISSION										
SYMBOLS		DIMENSION UNITS		SCALE		CURRENT REV DESC: RELEASED				
∇ = 0	IN/MM	4:1								
∇ = 0	GENERAL TOLERANCES (UNLESS SPECIFIED)									
∇ = 0		MM	INCH							
S = 0	4 PLACES	±	±			EC NO: 623888		2019/09/11		
∇ = 0	3 PLACES	±	± 0.005			DRWN: MKIPPER		2019/09/13		
∇ = 0	2 PLACES	± 0.13	± 0.01			CHK'D: DSTEIER		2019/09/17		
∇ = 0	1 PLACE	± 0.25	±			APPR: FSMITH				
∇ = 0	0 PLACES	±	±			INITIAL REVISION:				
∇ = 0	ANGULAR TOL	± 0.5 °				DRWN: MKIPPER		2019/09/11		
∇ = 0	DRAFT WHERE APPLICABLE MUST REMAIN WITHIN DIMENSIONS				THIRD ANGLE PROJECTION		DRAWING		SERIES	
							C-SIZE	46007		
DOCUMENT STATUS		P1	RELEASE DATE	2019/09/17	14:17:52	DOCUMENT NUMBER		DOC TYPE	DOC PART	REVISION
						460070001-SD		PSD	000	A
						MATERIAL NUMBER		CUSTOMER		SHEET NUMBER
						SEE CHARTS		GENERAL MARKET		3 OF 5

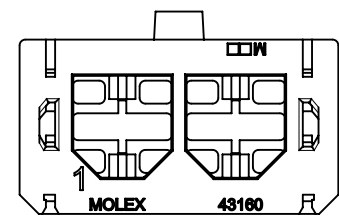
RIGHT ANGLE HEADER ASSEMBLIES					
ASSEMBLY PART NO.	CIRCUITS	DIM. 'P' ± $\frac{0.28}{.011}$	BOARD LOCK	DIM. 'B' ± $\frac{0.10}{.004}$	PACKAGING SPEC.
46007-1102	2	3.81/(.150) (SHORT TAIL)	NO	N/A	PK-43160-0010
46007-1103	3				
46007-1104	4				
46007-1105	5				
46007-1106	6				
46007-1108	8				
46007-1302	2	5.33/(.210) (LONG TAIL)	NO	N/A	PK-43789-001
46007-1303	3				
46007-1304	4				
46007-1305	5				
46007-1306	6				
46007-1308	8				
46007-3102	2	3.81/(.150) (SHORT TAIL)	YES	1.78/(.070) FOR 1.57/(.062) PCB	PK-43789-001
46007-3103	3				
46007-3104	4				
46007-3105	5				
46007-3106	6				
46007-3108	8				
46007-5102	2	3.81/(.150) (SHORT TAIL)	YES	2.59/(.102) FOR 2.39/(.094) PCB	PK-43789-001
46007-5103	3				
46007-5104	4				
46007-5105	5				
46007-5106	6				
46007-5108	8				
46007-5302	2	5.33/(.210) (LONG TAIL)	YES	2.59/(.102) FOR 2.39/(.094) PCB	PK-43789-001
46007-5303	3				
46007-5304	4				
46007-5305	5				
46007-5306	6				
46007-5308	8				
46007-7302	2	5.33/(.210) (LONG TAIL)	YES	3.38/(.133) FOR 3.18/(.125) PCB	PK-43789-001
46007-7303	3				
46007-7304	4				
46007-7305	5				
46007-7306	6				
46007-7308	8				
ASSEMBLY PART NO.	CIRCUITS	DIM. 'P' ± $\frac{0.28}{.011}$	BOARD LOCK	DIM. 'B' ± $\frac{0.10}{.004}$	PACKAGING SPEC.

### RECOMMENDED P.C. BOARD LAYOUT FOR RIGHT ANGLE HEADERS

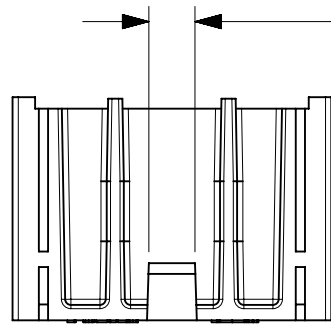


### MATED DIMENSIONS RIGHT ANGLE HEADERS

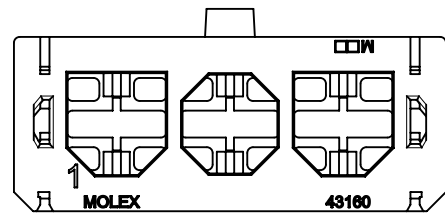
SYMBOLS	THIS DRAWING CONTAINS INFORMATION THAT IS PROPRIETARY TO MOLEX ELECTRONIC TECHNOLOGIES, LLC AND SHOULD NOT BE USED WITHOUT WRITTEN PERMISSION	
	DIMENSION UNITS	SCALE
$\nabla = 0$	IN/MM	2:1
$\nabla = 0$	GENERAL TOLERANCES (UNLESS SPECIFIED)	
$\nabla = 0$	MM	INCH
$\nabla = 0$	4 PLACES	±
$\nabla = 0$	3 PLACES	± 0.005
$\nabla = 0$	2 PLACES	± 0.13 ± 0.01
$\nabla = 0$	1 PLACE	± 0.25 ±
$\nabla = 0$	0 PLACES	±
$\nabla = 0$	ANGULAR TOL	± 0.5°
$\nabla = 0$	DRAFT WHERE APPLICABLE MUST REMAIN WITHIN DIMENSIONS	
	THIRD ANGLE PROJECTION	DRAWING
		SERIES
	C-SIZE	46007
	CURRENT REV DESC: RELEASED	
	EC NO: 623888	2019/09/11
	DRWN: MKIPPER	2019/09/13
	CHK'D: DSTEIER	2019/09/17
	APPR: FSMITH	2019/09/17
	INITIAL REVISION:	
	DRWN: MKIPPER	2019/09/11
	APPR: FSMITH	2019/09/17
	DOCUMENT NUMBER	DOC TYPE   DOC PART   REVISION
	460070001-SD	PSD   000   A
	MATERIAL NUMBER	CUSTOMER
	SEE CHARTS	GENERAL MARKET
	SHEET NUMBER	
	4 OF 5	



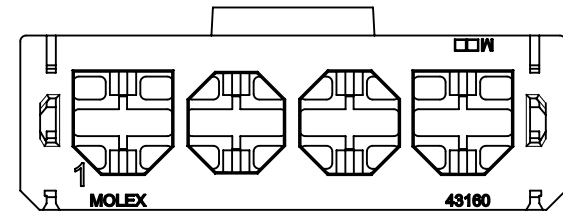
2 CIRCUITS



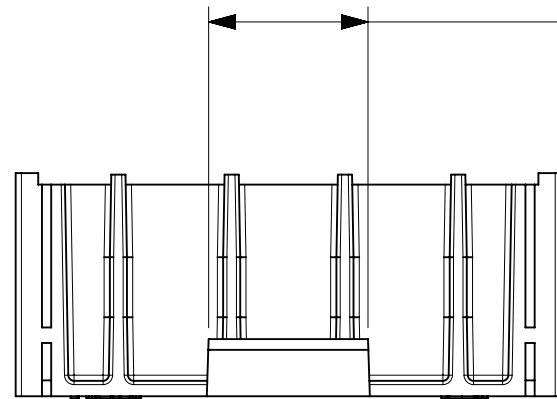
3.05  
 .120  
 2 AND 3 CIRCUIT



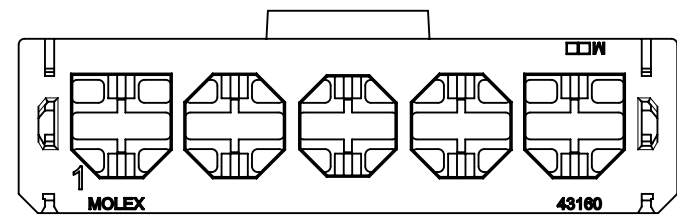
3 CIRCUITS



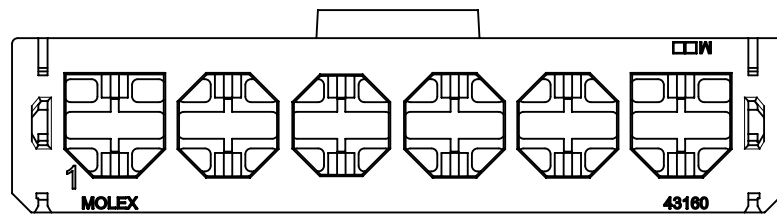
4 CIRCUITS



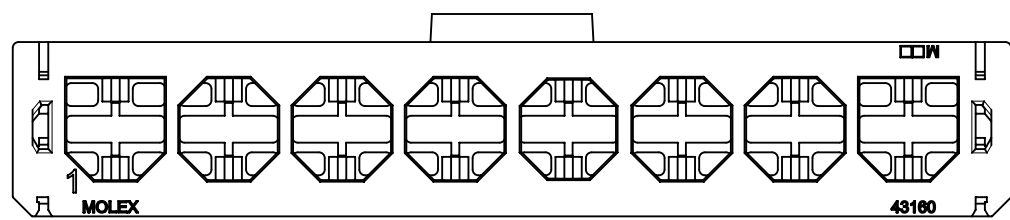
10.54  
 .415  
 4 CIRCUIT AND UP



5 CIRCUITS



6 CIRCUITS



8 CIRCUITS

**POLARIZATION**

SYMBOLS	THIS DRAWING CONTAINS INFORMATION THAT IS PROPRIETARY TO MOLEX ELECTRONIC TECHNOLOGIES, LLC AND SHOULD NOT BE USED WITHOUT WRITTEN PERMISSION										
	DIMENSION UNITS		SCALE		CURRENT REV DESC: RELEASED						
▽ = 0	MM/INCH		2:1		<b>molex</b> SABRE HEADER ASSEMBLY FINGER PROOF 2-6 & 8 CIRCUIT .125/(3.18) X .020/(0.51)						
▽ = 0	GENERAL TOLERANCES (UNLESS SPECIFIED)										
▽ = 0			MM	INCH	EC NO: 623888 DRWN: MKIPPER 2019/09/11 CHK'D: DSTEIER 2019/09/13 APPR: FSMITH 2019/09/17						
▽ = 0	4 PLACES	±	±								
▽ = 0	3 PLACES	±	± 0.005		PRODUCT CUSTOMER DRAWING DOCUMENT NUMBER: 460070001-SD   DOC TYPE: PSD   DOC PART: 000   REVISION: A						
▽ = 0	2 PLACES	± 0.13	± 0.01								
▽ = 0	1 PLACE	± 0.25	±		INITIAL REVISION: DRWN: MKIPPER 2019/09/11 APPR: FSMITH 2019/09/17						
▽ = 0	0 PLACES	±	±								
▽ = 0	ANGULAR TOL		± 0.5 °		THIRD ANGLE PROJECTION		DRAWING	SERIES	MATERIAL NUMBER	CUSTOMER	SHEET NUMBER
▽ = 0	DRAFT WHERE APPLICABLE MUST REMAIN WITHIN DIMENSIONS						C-SIZE	46007	SEE CHARTS	GENERAL MARKET	5 OF 5

## X-ON Electronics

Largest Supplier of Electrical and Electronic Components

*Click to view similar products for [Headers & Wire Housings](#) category:*

*Click to view products by [Molex](#) manufacturer:*

Other Similar products are found below :

[892-18-020-10-001101](#) [58102-G61-06LF](#) [582553-1](#) [0009485154](#) [009176003701906](#) [0050291907](#) [LY20-4P-DT1-P1E-BR](#) [02.125.8002.8](#)  
[609-3404](#) [61062-3](#) [61082-181009](#) [622-3653LF](#) [63453-116](#) [636-1030](#) [636-1427](#) [636-3427](#) [636-4007](#) [641938-9](#) [641991-4](#) [644827-2](#) [65817-](#)  
[010LF](#) [65817-015LF](#) [65863-015LF](#) [66207-023LF](#) [67095-007LF](#) [67601157](#) [68648-049](#) [70.362.1628.0](#) [70-4210](#) [70-4226B](#) [70-4853B](#) [707-](#)  
[5020](#) [707-5028](#) [71.350.2428.0](#) [71918-208LF](#) [71961-016LF](#) [733-134](#) [733-162](#) [754199-000](#) [760-3052](#) [787-8014-00](#) [79531-3000](#) [FCN-](#)  
[360C032-B](#) [FCN-367T-T012/H](#) [FCN-723D010/2](#) [80.063.4001.1](#) [800-90-001-10-001000](#) [800-90-010-10-002000](#) [801-43-002-10-013000](#)  
[801-43-006-10-002000](#)