

PLEASE CHECK WWW.MOLEX.COM FOR LATEST PART INFORMATION

Part Number: [0460140404](#)

Status: **Active**

Overview: Mini-Fit Family Power Connectors

Description: Mini-Fit Plus Header, 4.20mm Pitch, Single Row, Vertical, 4 Circuits, with Snap-in Plastic Peg PCB Lock, PA Polyamide Nylon 6/6, UL 94V-0, Tin (Sn) Over Nickel (Ni) Plating

Documents:

| | |
|--------------------------------|---|
| 3D Model | Product Specification PS-45750-001-001 (PDF) |
| Drawing (PDF) | Packaging Specification PK-5566-002-000 (PDF) |
| 3D Model (PDF) | RoHS Certificate of Compliance (PDF) |

Agency Certification

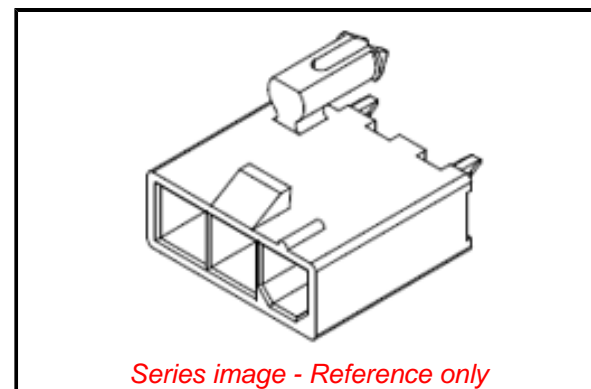
| | |
|-----|---------|
| CSA | LR19980 |
| UL | E29179 |

General

| | |
|----------------|---|
| Product Family | PCB Headers |
| Series | 46014 |
| Application | Board-to-Board, Power, Wire-to-Board |
| Comments | 11.5A When using as Board-to-Board Applications 12A When Using as Wire-to-Board |
| Overview | Mini-Fit Family Power Connectors |
| Product Name | Mini-Fit Plus |
| UPC | 884982067745 |

Physical

| | |
|--------------------------------|----------------|
| Breakaway | No |
| Circuits (Loaded) | 4 |
| Circuits (maximum) | 4 |
| Color - Resin | Natural |
| Durability (mating cycles max) | 100 |
| First Mate / Last Break | No |
| Flammability | 94V-0 |
| Glow-Wire Capable | No |
| Guide to Mating Part | No |
| Keying to Mating Part | None |
| Lock to Mating Part | Yes |
| Material - Metal | Copper Alloy |
| Material - Plating Mating | Tin |
| Material - Plating Termination | Nickel |
| Material - Resin | Nylon |
| Net Weight | 1.099/g |
| Number of Rows | 1 |
| Orientation | Vertical |
| PC Tail Length | 1.80mm |
| PCB Locator | Yes |
| PCB Retention | Yes |
| PCB Thickness - Recommended | 1.78mm |
| Packaging Type | Tray |
| Pitch - Mating Interface | 4.20mm |
| Polarized to Mating Part | Yes |
| Polarized to PCB | Yes |
| Shrouded | Fully |
| Stackable | No |
| Surface Mount Compatible (SMC) | No |
| Temperature Range - Operating | -40° to +105°C |



EU ELV

Not Relevant

EU RoHS

Compliant

REACH SVHC

Not Contained Per - D(2021)4569-DC (8 July 2021)

Halogen-Free

Status

Low-Halogen

For more information, please visit [Contact US](#)

China ROHS

ELV

RoHS Phthalates

China RoHS

Green Image

Not Relevant

Not Contained

Search Parts in this Series

[46014 Series](#)

Mates With

[5557 Mini-Fit Jr. Receptacle Housing](#)

Termination Interface: Style Through Hole

Electrical

Current - Maximum per Contact 11.5A, 12.0A
Voltage - Maximum 600V

Solder Process Data

Duration at Max. Process Temperature (seconds) 005
Lead-freeProcess Capability WAVE
Max. Cycles at Max. Process Temperature 001
Process Temperature max. C 240

Material Info

Reference - Drawing Numbers

Packaging Specification PK-5566-002-000
Product Specification PS-45750-001-001
Sales Drawing SD-46014-001-000

This document was generated on 01/03/2022

PLEASE CHECK WWW.MOLEX.COM FOR LATEST PART INFORMATION

X-ON Electronics

Largest Supplier of Electrical and Electronic Components

Click to view similar products for [Headers & Wire Housings](#) category:

Click to view products by [Molex](#) manufacturer:

Other Similar products are found below :

[892-18-020-10-001101](#) [58102-G61-06LF](#) [582553-1](#) [0009485154](#) [009176003701906](#) [0050291907](#) [LY20-4P-DT1-P1E-BR](#) [02.125.8002.8](#)
[609-3404](#) [61062-3](#) [622-0430](#) [622-3653LF](#) [63453-116](#) [636-1030](#) [636-1427](#) [636-3427](#) [636-4007](#) [641938-9](#) [641991-4](#) [644827-2](#) [65817-010LF](#)
[65817-015LF](#) [65863-015LF](#) [66207-023LF](#) [67095-007LF](#) [67601157](#) [68648-049](#) [70.362.1628.0](#) [70-4210](#) [70-4226B](#) [70-4853B](#) [707-5020](#) [707-5028](#) [71.350.2428.0](#) [71918-208LF](#) [71961-016LF](#) [733-134](#) [733-162](#) [754199-000](#) [760-3052](#) [787-8014-00](#) [79531-3000](#) [FCN-360C032-B](#) [FCN-367T-T012/H](#) [FCN-723D010/2](#) [80.063.4001.1](#) [800-90-001-10-001000](#) [800-90-010-10-002000](#) [801-43-002-10-013000](#) [801-43-006-10-002000](#)