

PLEASE CHECK WWW.MOLEX.COM FOR LATEST PART INFORMATION

Part Number: [0460140405](#)

Status: **Active**

Overview: Mini-Fit Family Power Connectors

Description: Mini-Fit Plus Header, 4.20mm Pitch, Single Row, Vertical, 4 Circuits, with Snap-in Plastic Peg PCB Lock, PA Polyamide Nylon 6/6, UL 94V-2, Tin (Sn) Over Nickel (Ni) Plating

Documents:

3D Model	Product Specification PS-45750-001-001 (PDF)
Drawing (PDF)	Packaging Specification PK-5566-002-000 (PDF)
3D Model (PDF)	RoHS Certificate of Compliance (PDF)

Agency Certification

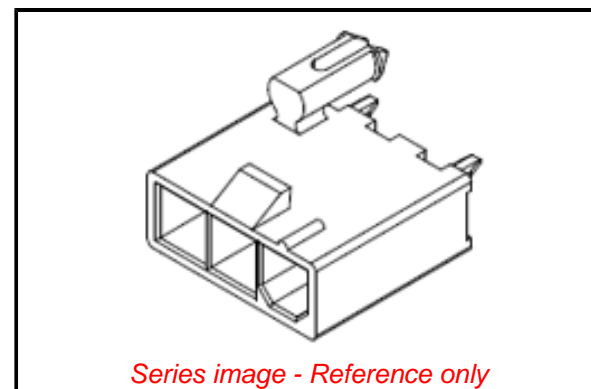
CSA	LR19980
UL	E29179

General

Product Family	PCB Headers
Series	46014
Application	Board-to-Board, Power, Wire-to-Board
Comments	11.5A When using as Board-to-Board Applications 12A When Using as Wire-to-Board
Overview	Mini-Fit Family Power Connectors
Product Name	Mini-Fit Plus
UPC	884982067752

Physical

Breakaway	No
Circuits (Loaded)	4
Circuits (maximum)	4
Color - Resin	Natural
Durability (mating cycles max)	100
First Mate / Last Break	No
Flammability	94V-2
Glow-Wire Capable	No
Guide to Mating Part	No
Keying to Mating Part	None
Lock to Mating Part	Yes
Material - Metal	Copper Alloy
Material - Plating Mating	Tin
Material - Plating Termination	Nickel
Material - Resin	Nylon
Net Weight	1.099/g
Number of Rows	1
Orientation	Vertical
PC Tail Length	1.80mm
PCB Locator	Yes
PCB Retention	Yes
PCB Thickness - Recommended	1.78mm
Packaging Type	Tray
Pitch - Mating Interface	4.20mm
Polarized to Mating Part	Yes
Polarized to PCB	Yes
Shrouded	Fully
Stackable	No
Surface Mount Compatible (SMC)	No
Temperature Range - Operating	-40° to +105°C



Series image - Reference only

EU ELV

Not Relevant

EU RoHS

Compliant

REACH SVHC

Not Contained Per - D(2021)4569-DC (8 July 2021)

Halogen-Free

Status

Low-Halogen

For more information, please visit [Contact US](#)

China ROHS

ELV

RoHS Phthalates

China RoHS

Green Image

Not Relevant

Not Contained

Search Parts in this Series

[46014 Series](#)

Mates With

[5557 Mini-Fit Jr. Receptacle Housing](#)

Termination Interface: Style Through Hole

Electrical

Current - Maximum per Contact 11.5A, 12.0A
Voltage - Maximum 600V

Solder Process Data

Duration at Max. Process Temperature (seconds) 005
Lead-freeProcess Capability WAVE
Max. Cycles at Max. Process Temperature 001
Process Temperature max. C 240

Material Info

Reference - Drawing Numbers

Packaging Specification PK-5566-002-000
Product Specification PS-45750-001-001
Sales Drawing SD-46014-001-000

This document was generated on 01/03/2022

PLEASE CHECK WWW.MOLEX.COM FOR LATEST PART INFORMATION

X-ON Electronics

Largest Supplier of Electrical and Electronic Components

Click to view similar products for [Headers & Wire Housings](#) category:

Click to view products by [Molex](#) manufacturer:

Other Similar products are found below :

[892-18-020-10-001101](#) [58102-G61-06LF](#) [582553-1](#) [0009485154](#) [009176003701906](#) [0050291907](#) [LY20-4P-DT1-P1E-BR](#) [02.125.8002.8](#)
[609-3404](#) [61062-3](#) [622-0430](#) [622-3653LF](#) [63453-116](#) [636-1030](#) [636-1427](#) [636-3427](#) [636-4007](#) [641938-9](#) [641991-4](#) [644827-2](#) [65817-010LF](#)
[65817-015LF](#) [65863-015LF](#) [66207-023LF](#) [67095-007LF](#) [67601157](#) [68648-049](#) [70.362.1628.0](#) [70-4210](#) [70-4226B](#) [70-4853B](#) [707-5020](#) [707-5028](#) [71.350.2428.0](#) [71918-208LF](#) [71961-016LF](#) [733-134](#) [733-162](#) [754199-000](#) [760-3052](#) [787-8014-00](#) [79531-3000](#) [FCN-360C032-B](#) [FCN-367T-T012/H](#) [FCN-723D010/2](#) [80.063.4001.1](#) [800-90-001-10-001000](#) [800-90-010-10-002000](#) [801-43-002-10-013000](#) [801-43-006-10-002000](#)