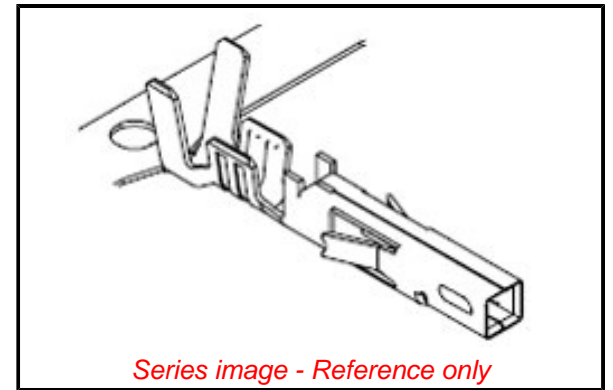


PLEASE CHECK WWW.MOLEX.COM FOR LATEST PART INFORMATION

Part Number: [0460181541](#)
Status: **Active**
Overview: Mini-Fit Plus Connector System
Description: Mini-Fit Plus High Mating Cycle Female Crimp Terminal, 18-20 AWG, Reel, Select Gold (Au) Plating with Proprietary Molex Advanced Contact Surface Finish (CSF) in Contact Area

Documents:

Drawing (PDF)	Packaging Specification PK-46018-001 (PDF)
Product Specification PS-46018-004-001 (PDF)	RoHS Certificate of Compliance (PDF)
Product Specification TS-46018-001-001 (PDF)	



General

Product Family	Crimp Terminals
Series	46018
Application	Power
Comments	Current Rating = 9A Max. Using 18 AWG Wire and 7A Max. Using 20 AWG Wire
Crimp Quality Equipment Overview	Yes
Packaging Alternative	<u>Mini-Fit Plus Connector System</u>
Product Name	46018-1542 (Loose)
UPC	Mini-Fit Plus 822350560474

Physical

Gender	Female
Material - Metal	Copper Alloy
Material - Plating Mating	Gold
Material - Plating Termination	Tin
Net Weight	0.150/g
Packaging Type	Reel
Plating min - Mating	0.051µm
Plating min - Termination	2.540µm
Termination Interface: Style	Crimp or Compression
Wire Insulation Diameter	1.65-2.95mm
Wire Size AWG	18, 20
Wire Size mm ²	N/A

Electrical

Current - Maximum per Contact	13.0A
Voltage - Maximum	600V

Solder Process Data

Lead-free Process Capability	N/A
------------------------------	-----

Material Info

Reference - Drawing Numbers

Packaging Specification	PK-46018-001
Product Specification	PS-46018-004-001, TS-46018-001-001
Sales Drawing	SD-46018-001-001

EU ELV

Not Relevant

EU RoHS

Compliant

REACH SVHC

Not Contained Per
-ED/01/2018 (15
January 2018)

Halogen-Free

Status

Low-Halogen

Need more information on product environmental compliance?

Email productcompliance@molex.com
Please visit the [Contact Us](#) section for any non-product compliance questions.

China ROHS	Green Image
ELV	Not Relevant
RoHS Phthalates	Not Contained

Search Parts in this Series

[46018](#) Series

Mates With

Mini-Fit Plus Crimp Terminal [46012](#)

Mini-Fit Plus Header [46011](#) , [46014](#)
, [46015](#)
Mini-Fit BMI Header [44068](#) ,
[42404](#) , [43810](#)
Mini-Fit Jr. Header [5569](#)

Mini-Fit TPA Header [30070](#)

Use With

Mini-Fit Jr. Receptacles [5557](#)
Mini-Fit TPA Receptacles [30067](#)
Mini-Fit BMI Panel Mount Receptacles [42474](#)
Mini-Fit BMI Panel Mount Slide-N-Lock Receptacles [44516](#)

PLEASE CHECK WWW.MOLEX.COM FOR LATEST PART INFORMATION

X-ON Electronics

Largest Supplier of Electrical and Electronic Components

Click to view similar products for [Molex manufacturer:](#)

Other Similar products are found below :

[120089-5003](#) [172310-1202](#) [38773-6407](#) [22-28-1040](#) [89761-6800](#) [89762-1543](#) [00-3083](#) [CR4006A30M003](#) [0003062041](#) [M15730061](#)
[6150300002](#) [CS8264N](#) [CS8369](#) [62201-8646](#) [62203-0031](#) [M37730026](#) [63445-1906](#) [63445-1943](#) [63446-3209](#) [63456-0054](#) [63801-7269](#)
[63811-5975](#) [63811-7275](#) [63811-7875](#) [63816-0600](#) [63819-0876](#) [63819-6870](#) [63823-0100](#) [63900-3870](#) [64001-0700](#) [64001-1000](#) [64001-1400](#)
[64001-2300](#) [64003-0400](#) [64005-3500](#) [M5556TL](#) [66W75](#) [67W47BLK](#) [69008-1100](#) [69W60](#) [702007D02F060](#) [703001B01F060](#)
[703001D02F0602](#) [703001D02F1201](#) [703006A13F060](#) [70-3601](#) [705000A03F2001](#) [705001A13F120](#) [70553-0023](#) [706006D02F0601](#)