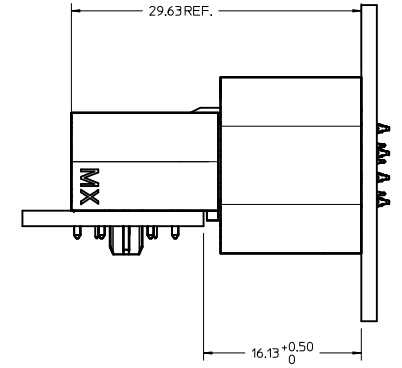
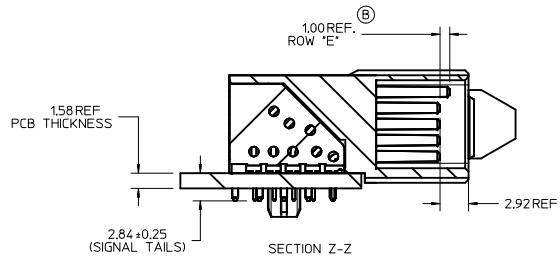
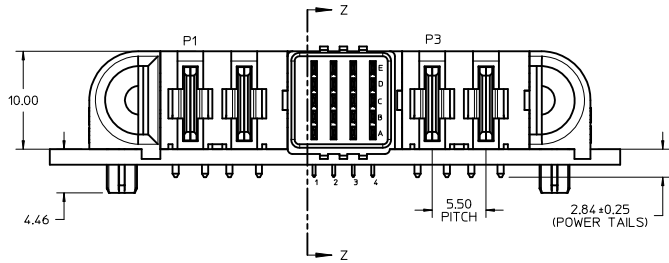
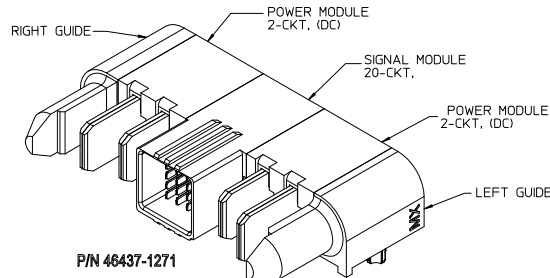


RECOMMENDED PCB LAYOUT



- NOTES:
- MATERIAL:
 - HOUSINGS: LCP UL94, V-0, COLOR: BLACK.
 - TERMINALS: COPPER ALLOY.
 - PLATING: 0.00127mm NICKEL OVERALL WITH 0.00254mm SELECTIVE TIN ON SOLDER TAILS AND 0.000762mm SELECTIVE GOLD ON CONTACT AREA.
 - ASSEMBLIES PACKED IN TRAYS, TRAY QNTY: 25 PCS
CARTON QNTY: 125 PCS
 - PC BOARD REQUIRES SOLDER THRU HOLES. REFER TO RPS-46436-300 FOR DETAILS
 - PRODUCT SPEC: RPS-46436-300.
 - APPLICATION SPEC: AS-46436-100.
 - PRODUCT TO MEET RoHS REQUIREMENTS.
 - ASSEMBLY MATES TO MOLEX RECEPTACLE ASSEMBLY P/N: 46562-1271.



P/N 46437-1271

ADD PKG QNTY EC NO: UICP2012-2739 DRAWN BY: SZCZOR CHKD: SZCZOR APPR: APATEL DATE: 2012/02/28 REV: A1	QUALITY SYMBOLS ▽=0 ▽=0 ▽=0	GENERAL TOLERANCES (UNLESS SPECIFIED) <table border="1"> <tr> <th></th> <th>mm</th> <th>INCH</th> </tr> <tr> <td>4 PLACES</td> <td>±---</td> <td>±---</td> </tr> <tr> <td>3 PLACES</td> <td>±---</td> <td>±---</td> </tr> <tr> <td>2 PLACES</td> <td>±0.25</td> <td>±---</td> </tr> <tr> <td>1 PLACE</td> <td>±0.25</td> <td>±---</td> </tr> <tr> <td colspan="3">ANGULAR ±1/2°</td> </tr> </table>		mm	INCH	4 PLACES	±---	±---	3 PLACES	±---	±---	2 PLACES	±0.25	±---	1 PLACE	±0.25	±---	ANGULAR ±1/2°			DIMENSION STYLE MM ONLY	SCALE 4:1	DESIGN UNITS METRIC	THIRD ANGLE PROJECTION
		mm	INCH																					
	4 PLACES	±---	±---																					
3 PLACES	±---	±---																						
2 PLACES	±0.25	±---																						
1 PLACE	±0.25	±---																						
ANGULAR ±1/2°																								
DRAFT WHERE APPLICABLE MUST REMAIN WITHIN DIMENSIONS		DRAWN BY: BKOSTIC DATE: 2011/06/30 CHECKED BY: BKOSTIC DATE: 2011/06/30 APPROVED BY: RNELSON DATE: 2011/08/24	MATERIAL NO: 46437-1271	DOCUMENT NO: SD-46437-1271	TITLE: RA PLUG ASSY 2P-20S-2P TEN60 POWER FAMILY	SHEET NO: 1 OF 1																		
THIS DRAWING CONTAINS INFORMATION THAT IS PROPRIETARY TO MOLEX INCORPORATED AND SHOULD NOT BE USED WITHOUT WRITTEN PERMISSION																								

X-ON Electronics

Largest Supplier of Electrical and Electronic Components

Click to view similar products for [molex manufacturer](#):

Other Similar products are found below :

[60506-C-50](#) [73108](#) [72903](#) [1062837003](#) [0533241060](#) [68301-1017](#) [71506-C](#) [880504](#) [387790039](#) [53254-0710](#) [85071-0017](#) [387204903](#)
[783472003](#) [514412093](#) [0026482195](#) [0191310031](#) [503308-4410](#) [02-09-6102](#) [0008650814](#) [791099208](#) [0039000218](#) [89762-1403](#) [89762-1542](#)
[89762-1582](#) [0011404526](#) [00136](#) [0022173102](#) [0026615060](#) [CR4006A30M003](#) [0039532085](#) [58098-0628](#) [0003092041](#) [0008520123](#)
[0011030025](#) [0011184017](#) [0022162060](#) [0022552102](#) [01312](#) [M15730061](#) [61432](#) [6150300002](#) [CS63W64](#) [CS8264N](#) [CS8365N](#) [CS8369](#)
[62201-8780](#) [62500-1774](#) [M37730026](#) [63103-50](#) [63443-2215](#)