

PLEASE CHECK WWW.MOLEX.COM FOR LATEST PART INFORMATION

Part Number: **0465621003**
Status: **Active**
Overview: EXTreme Ten60Power High-Current Connector
Description: 2.54mm, 5.50mm Pitch EXTreme Ten60Power Vertical Receptacle Assembly with Guide Receivers, 24 Signal Circuits, 6 Power Circuits

Documents:

Drawing (PDF)	Datasheet (PDF)
Product Specification PS-46436-100-001 (PDF)	RoHS Certificate of Compliance (PDF)
Packaging Specification PK-46562-002-000 (PDF)	

Agency Certification

CSA	LR19980
UL	E29179

Application tooling part link

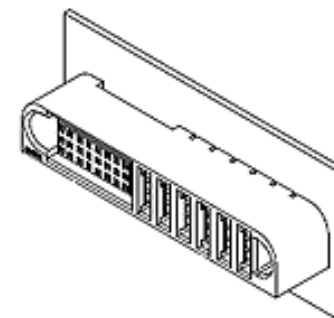
Application Tooling Part Link	62100-7800
Application Tooling Part Link	62100-7900

General

Product Family	PCB Receptacles
Series	46562
Application	Board-to-Board, Power, Signal
Comments	See PS-46436-100 for details
Overview	EXTreme Ten60Power High-Current Connector
Product Name	EXTreme Ten60Power
UPC	883906420710

Physical

(p)ower-(s)ignal Configuration	6p - 24s
Circuits (Loaded)	30
Circuits (maximum)	30
Color - Resin	Black
Durability (mating cycles max)	200
Flammability	94V-0
Glow-Wire Capable	No
Guide to Mating Part	Yes
Keying to Mating Part	None
Lock to Mating Part	No
Material - Metal	Copper
Material - Plating Mating	Gold
Material - Plating Termination	Tin
Material - Resin	High Temperature Thermoplastic
Net Weight	17.054/g
Number of Rows	1
Orientation	Vertical
PCB Locator	No
PCB Retention	None
PCB Thickness - Recommended	1.58mm
Packaging Type	Tray
Pitch - Mating Interface	2.54mm, 5.50mm
Plating min - Mating	0.127µm
Plating min - Termination	2.540µm
Polarized to Mating Part	Yes
Polarized to PCB	Yes
Stackable	No
Surface Mount Compatible (SMC)	No



Series image - Reference only

EU ELV

Not Relevant

EU RoHS

Compliant

REACH SVHC

Not Contained Per -
ECHA_01_2020 (16
January 2020

Halogen-Free

Status

Low-Halogen

For more information, please visit [Contact US](#)

China ROHS

ELV

RoHS Phthalates

Green Image

Not Relevant

Not Contained

Search Parts in this Series

46562 Series

Mates With

464371003 EXTreme Ten60Power Right Angle Plug Assembly

Application Tooling | FAQ

Tooling specifications and manuals are found by selecting the products below. Crimp Height Specifications are then contained in the Application Tooling Specification document.

Global

Description	Product #
Removal Tool for Vertical Signal Modules	621007800
Removal Tool for Ten60 Power Receptacle Terminals	621007900

Temperature Range - Operating -40° to +105°C
Termination Interface: Style Through Hole - Compliant Pin

Electrical

Current - Maximum per Contact 2.5A, 55.0A
Grounding to PCB No
Voltage - Maximum 600V AC / 250V DC

Solder Process Data

Duration at Max. Process Temperature (seconds) 040
Lead-freeProcess Capability SMC&WAVE
Max. Cycles at Max. Process Temperature 003
Process Temperature max. C 260

Material Info

Reference - Drawing Numbers

Packaging Specification PK-46562-002-000
Product Specification PS-46436-100-001
Sales Drawing SD-46562-103

This document was generated on 04/02/2020

PLEASE CHECK WWW.MOLEX.COM FOR LATEST PART INFORMATION

X-ON Electronics

Largest Supplier of Electrical and Electronic Components

Click to view similar products for [Power to the Board](#) category:

Click to view products by [Molex](#) manufacturer:

Other Similar products are found below :

[10131318-08512GRLF](#) [6450171-4](#) [6450552-7](#) [6600323-8](#) [6643429-1](#) [6646040-2](#) [6651939-1](#) [6766604-1](#) [120959-1](#) [1393557-2](#) [1393532-2](#)
[1393532-3](#) [1393532-4](#) [1393557-1](#) [1600812-5](#) [1-6450861-2](#) [1645595-1](#) [1743490-1](#) [1744132-7](#) [1761122-1](#) [1766169-1](#) [1766250-1](#) [18362](#)
[1892109-1](#) [1-967627-6](#) [2226808-1](#) [2-6450860-5](#) [2-6450860-6](#) [2-6450870-0](#) [93003-0502](#) [953552-1](#) [1-6450161-4](#) [1-6450850-6](#) [1645526-2](#) [1-](#)
[6600130-0](#) [1743419-1](#) [1766150-1](#) [2005243-2](#) [211110-1](#) [2-6600130-2](#) [TE34-12-16P-F0](#) [51700-10201602AALF](#) [5-6450830-6](#) [5646956-4](#)
[36662-0005](#) [40585-3000](#) [4-6450830-9](#) [4-6600333-3](#) [51142-0214](#) [10125416-4050LF](#)