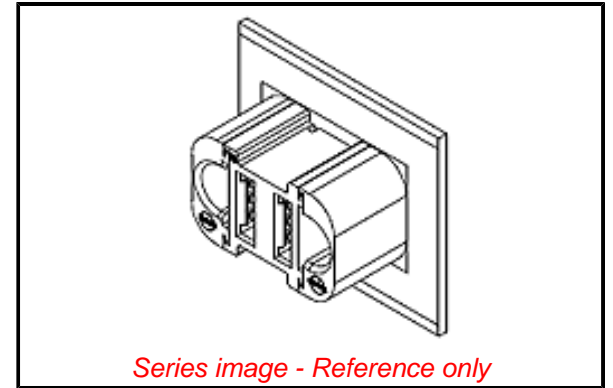


PLEASE CHECK WWW.MOLEX.COM FOR LATEST PART INFORMATION

Part Number: [0465621129](#)
Status: **Active**
Overview: [EXTreme Ten60Power High-Current Connector](#)
Description: 2.50mm, 3.00mm Pitch EXTreme Ten60Power Vertical Receptacle Assembly with Guide Receivers, 2 Power Circuits

Documents:

Drawing (PDF)	Packaging Specification PK-46562-002-000 (PDF)
Product Specification PS-46436-100-001 (PDF)	Test Summary 464361000-TS-000 (PDF)
Application Specification AS-46436-100-001 (PDF)	Datasheet (PDF)
Packaging Specification PK-46562-001-000 (PDF)	RoHS Certificate of Compliance (PDF)



Agency Certification

CSA	LR19980
UL	E29179

Application tooling part link

Application Tooling Part Link	62100-7900
-------------------------------	------------

General

Product Family	PCB Receptacles
Series	46562
Application	Board-to-Board, Power
Comments	See PS-46436-100 for details
Overview	EXTreme Ten60Power High-Current Connector
Product Name	EXTreme Ten60Power
UPC	884982253025

Physical

(p)ower-(s)ignal Configuration	2p - 0s
Circuits (Loaded)	2
Circuits (maximum)	2
Color - Resin	Black
Durability (mating cycles max)	200
Flammability	94V-0
Glow-Wire Capable	No
Guide to Mating Part	Yes
Keying to Mating Part	None
Lock to Mating Part	No
Material - Metal	Copper
Material - Plating Mating	Gold
Material - Plating Termination	Tin
Material - Resin	High Temperature Thermoplastic
Net Weight	4.293/g
Number of Rows	1
Orientation	Vertical
PCB Locator	No
PCB Retention	None
PCB Thickness - Recommended	1.58mm
Packaging Type	Tray
Pitch - Mating Interface	2.50mm, 3.00mm
Plating min - Mating	0.127µm
Plating min - Termination	2.540µm
Polarized to Mating Part	Yes
Polarized to PCB	Yes
Stackable	No
Surface Mount Compatible (SMC)	No

EU ELV

Not Relevant

EU RoHS

Compliant

REACH SVHC

Not Contained Per -
D(2021)4569-DC (8
July 2021)

Halogen-Free

Status

Low-Halogen

For more information, please visit [Contact US](#)

China ROHS

ELV

RoHS Phthalates

China RoHS

Green Image

Not Relevant

Not Contained

Search Parts in this Series

[46562](#) Series

Mates With

[765461129](#) EXTreme Ten60Power Vertical Plug Assembly

Application Tooling | FAQ

Tooling specifications and manuals are found by selecting the products below. Crimp Height Specifications are then contained in the Application Tooling Specification document.

Global

Description

Product #

Removal Tool
for Ten60 Power
Receptacle
Terminals

[621007900](#)

Temperature Range - Operating -40° to +105°C
Termination Interface: Style Through Hole - Compliant Pin

Electrical

Current - Maximum per Contact 2.5A, 55.0A
Grounding to PCB No
Voltage - Maximum 600V AC / 250V DC

Solder Process Data

Duration at Max. Process Temperature (seconds) 040
Lead-free Process Capability SMC&WAVE
Max. Cycles at Max. Process Temperature 003
Process Temperature max. C 260

Material Info

Reference - Drawing Numbers

Application Specification AS-46436-100-001
Packaging Specification PK-46562-001-000, PK-46562-002-000
Product Specification PS-46436-100-001
Sales Drawing SD-46562-1129-001
Test Summary 464361000-TS-000

This document was generated on 10/04/2021

PLEASE CHECK WWW.MOLEX.COM FOR LATEST PART INFORMATION

X-ON Electronics

Largest Supplier of Electrical and Electronic Components

Click to view similar products for [Power to the Board](#) category:

Click to view products by [Molex](#) manufacturer:

Other Similar products are found below :

[6450171-4](#) [6450552-7](#) [6600323-8](#) [6643429-1](#) [6646040-2](#) [6651939-1](#) [6766604-1](#) [120959-1](#) [1393557-2](#) [1393532-2](#) [1393532-3](#) [1393532-4](#)
[1393557-1](#) [1600812-5](#) [1-6450861-2](#) [1744132-7](#) [1761122-1](#) [1766250-1](#) [1892109-1](#) [2-6450860-5](#) [2-6450870-0](#) [1-6450161-4](#) [1-6450850-6](#) [1-6450869-6](#) [1645526-2](#) [1-6600130-0](#) [2005243-2](#) [377-0020-11130](#) [TE34-12-16P-F0](#) [5-6450830-6](#) [5646956-4](#) [377-0080-11131A](#) [4-6450830-9](#)
[4-6600333-3](#) [10125416-4050LF](#) [6600320-3](#) [3-6450860-5](#) [1888123-2](#) [6450166-1](#) [6643978-1](#) [6766605-1](#) [701-15-02109](#) [N11444](#) [6651938-1](#)
[6450810-7](#) [46437-1112](#) [1-1589677-8](#) [5646956-5](#) [6450813-2](#) [6450129-4](#)